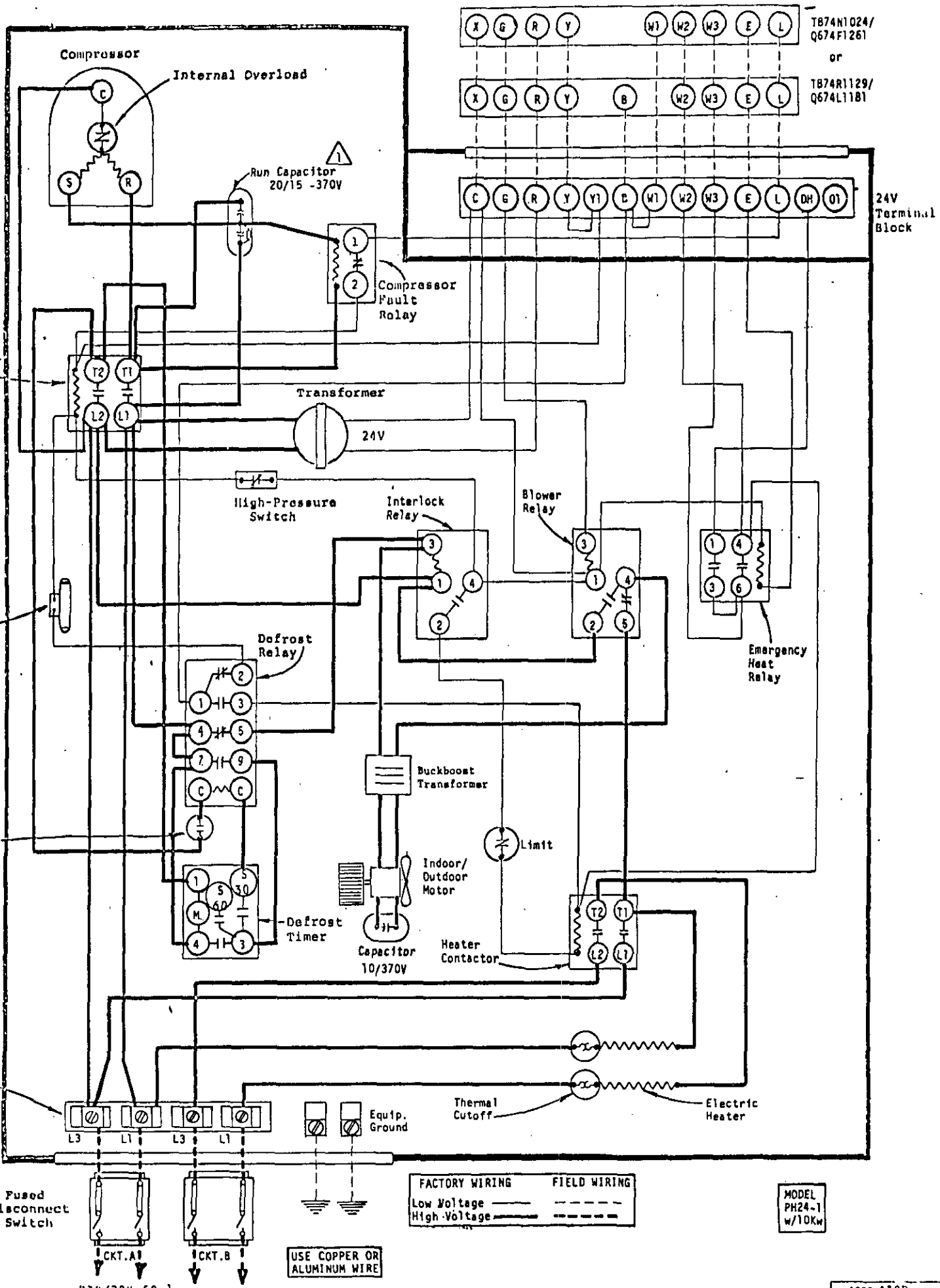


⚠ Capacitor provides off-cycle crankcase heat.



TB74N1024/  
Q674F1261  
or  
TB74R1129/  
Q674L1181

24V  
Terminal  
Block

Compressor  
Contactor

Reversing  
Valve  
Solenoid

Defrost  
Thermostat

Terminal  
Block

Fused  
Disconnect  
Switch  
CKT. A1  
CKT. B  
230/200V-60-1

USE COPPER OR  
ALUMINUM WIRE

FACTORY WIRING	FIELD WIRING
Low Voltage	-----
High Voltage	-----

MODEL  
PH24-1  
w/10kw

4003-430D