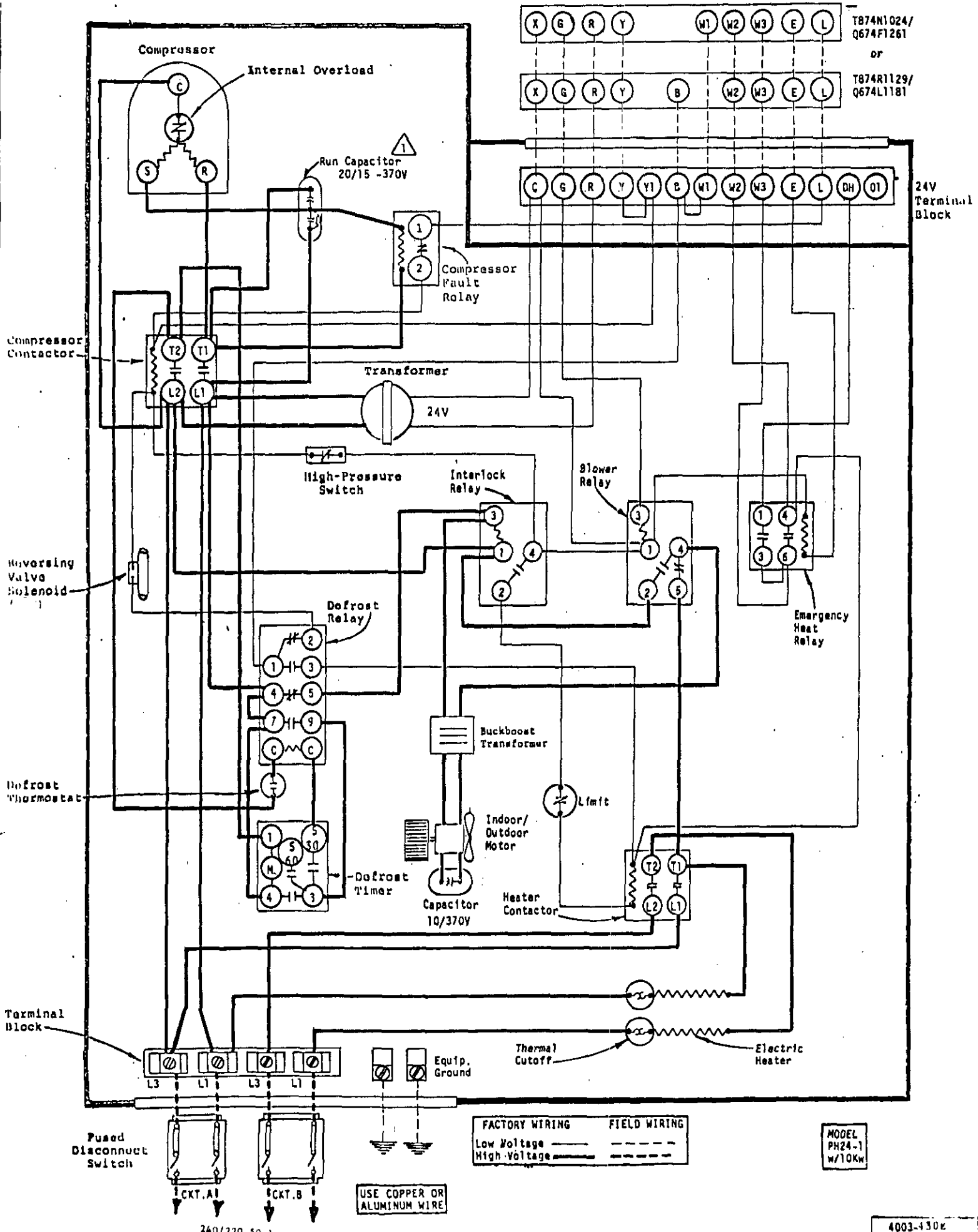


⚠ Capacitor provides off-cycle crankcase heat.



T874N1024/
Q674F1261
or
T874R1129/
Q674L1181

24V
Terminal
Block

FACTORY WIRING		FIELD WIRING	
Low Voltage	—————	-----	-----
High Voltage	—————	-----	-----

MODEL
PH24-1
w/10Kw

USE COPPER OR
ALUMINUM WIRE