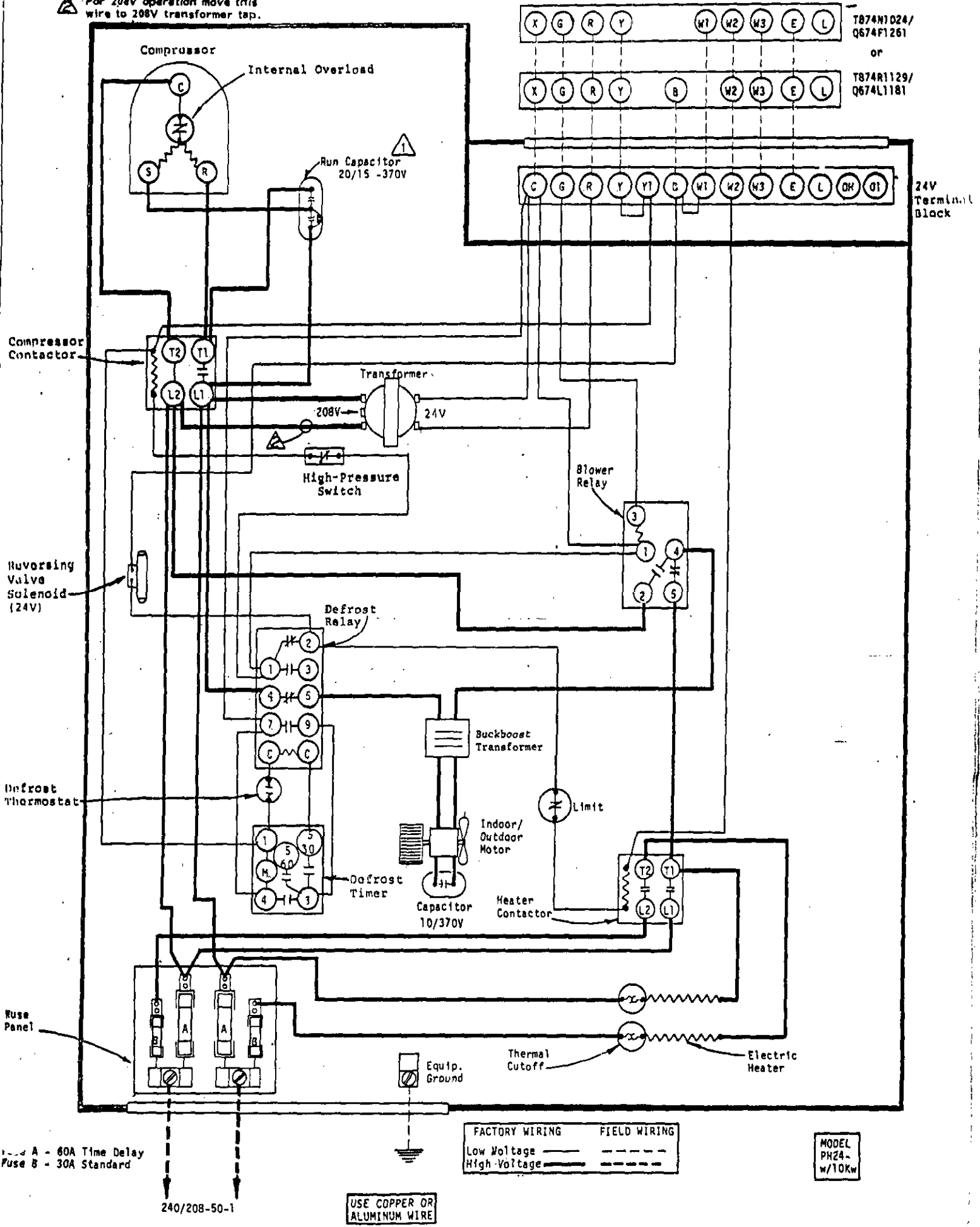


- ⚠ Capacitor provides off-cycle crankcase heat.
- ⚠ For 208V operation move this wire to 208V transformer tap.



Fuse A - 60A Time Delay
 Fuse B - 30A Standard

240/208-50-1

USE COPPER OR ALUMINUM WIRE

FACTORY WIRING		FIELD WIRING	
Low Voltage	—————	-----	-----
High Voltage	—————	-----	-----

MODEL
 PH24-
 w/10Kw