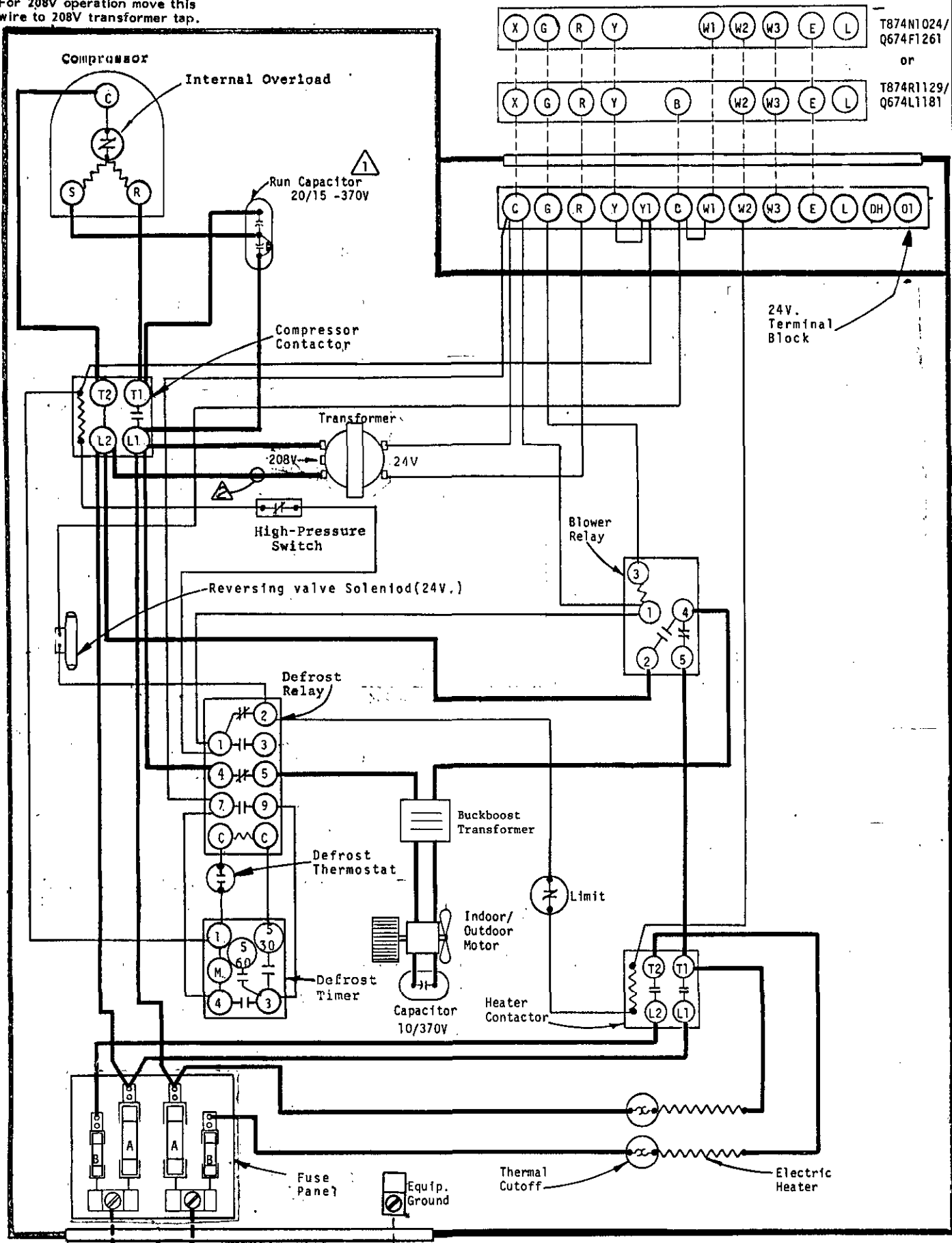


⚠ Capacitor provides off-cycle crankcase heat.

⚠ For 208V operation move this wire to 208V transformer tap.



T874N1024/
Q674F1261
or
T874R1129/
Q674L1181

24V.
Terminal
Block

240/220-50-1
Fuse disconnect switch

Fuse A-60A Time Delay
Fuse B-30A Standard

use copper or aluminum wire

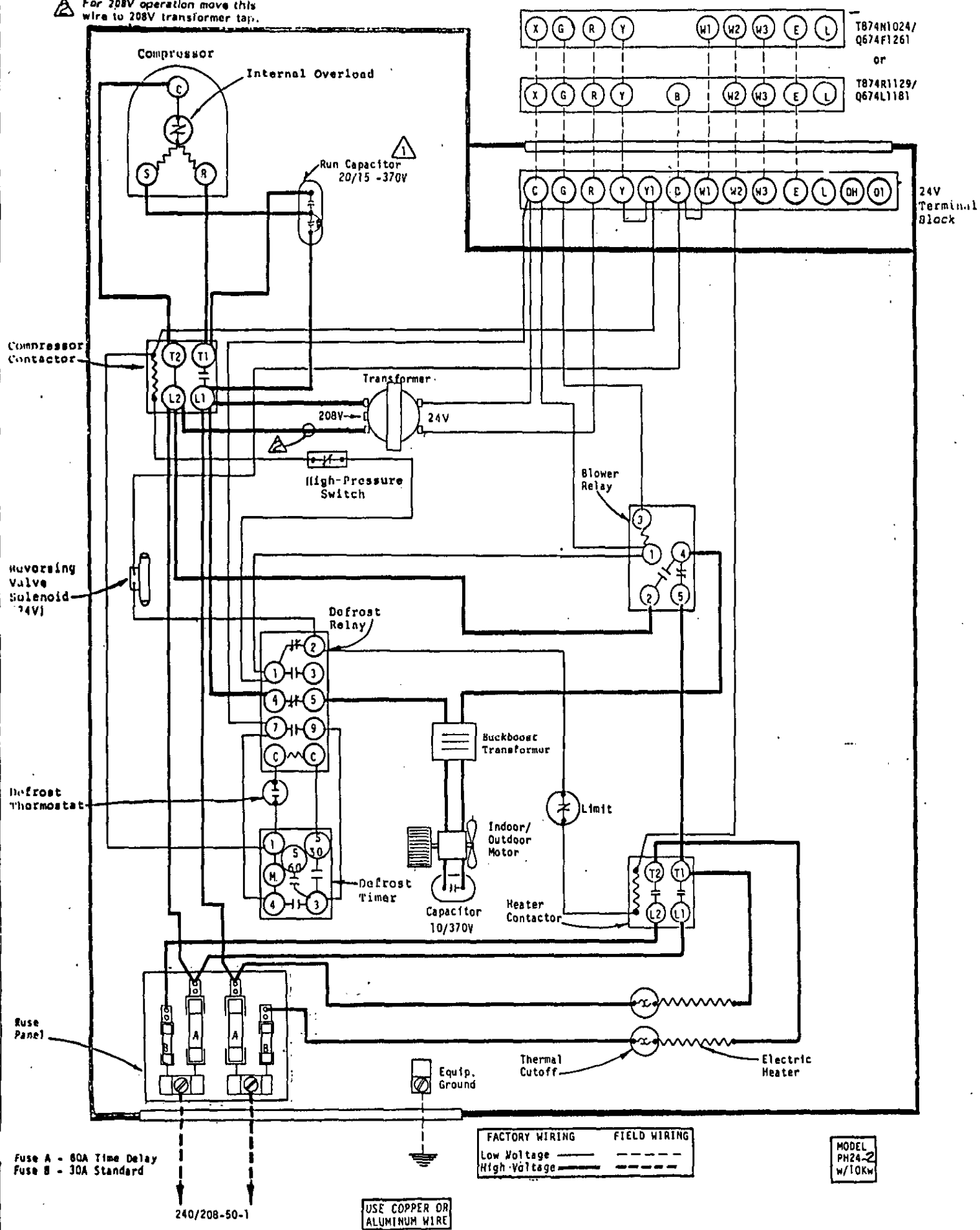
FACTORY WIRING	FIELD WIRING
Low Voltage _____	-----
High Voltage _____	-----

MODEL
PH24-2
w/ 8 Kw

4003-430I

⚠ Capacitor provides off-cycle crankcase heat.

⚠ For 208V operation move this wire to 208V transformer tap.



Fuse A - 60A Time Delay
Fuse B - 30A Standard

240/208-50-1

USE COPPER OR ALUMINUM WIRE

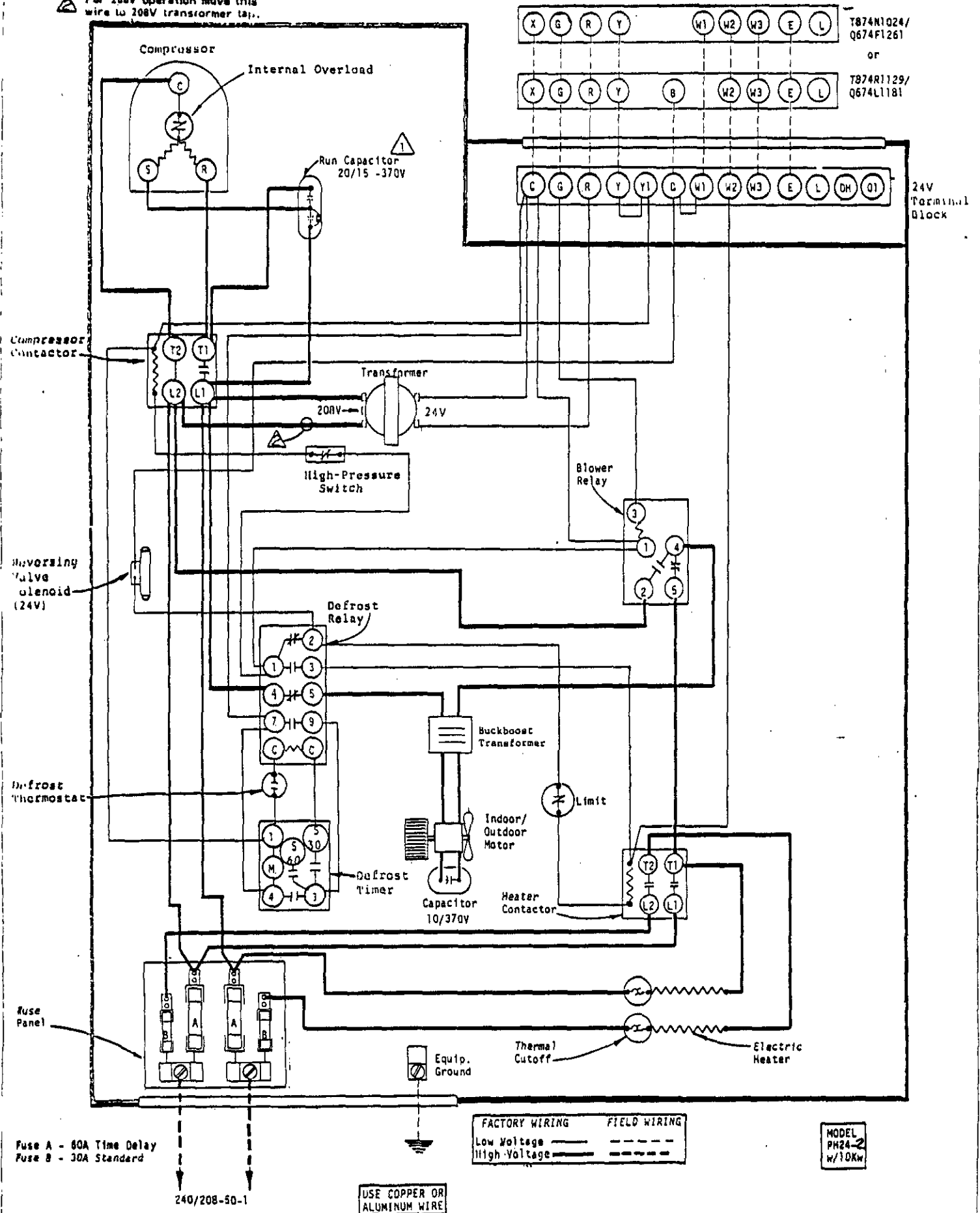
FACTORY WIRING		FIELD WIRING	
Low Voltage	—————	-----	-----
High Voltage	—————	-----	-----

MODEL
PH24-2
w/10kw

4003-430 H

⚠ Capacitor provides off-cycle crankcase heat.

⚠ For 208V operation move this wire to 208V transformer tap.



Fuse A - 60A Time Delay
Fuse B - 30A Standard

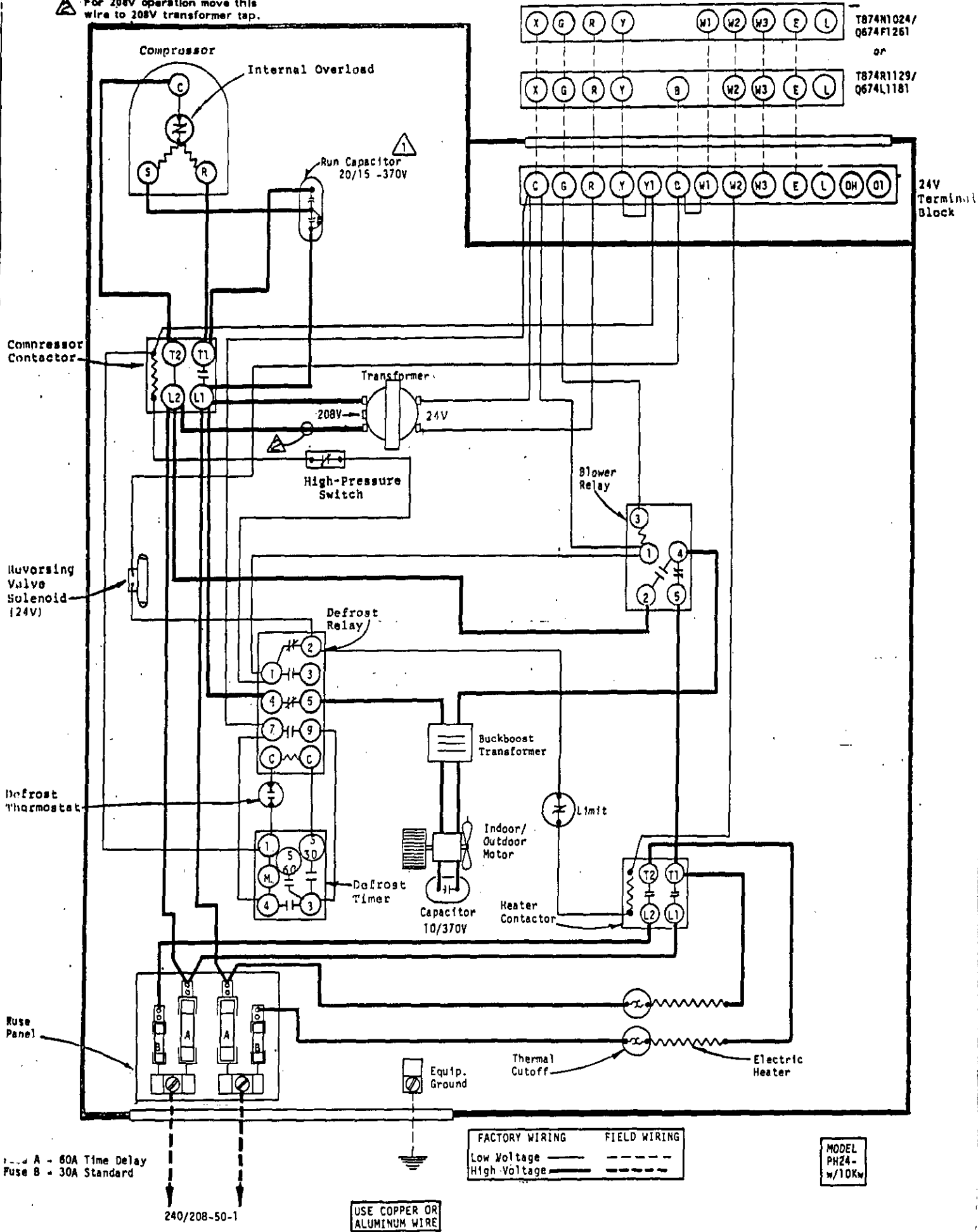
240/208-50-1

USE COPPER OR ALUMINUM WIRE

FACTORY WIRING	FIELD WIRING
Low Voltage	-----
High Voltage	-----

MODEL PH24-2 w/10KW

- ⚠ Capacitor provides off-cycle crankcase heat.
- ⚠ For 208V operation move this wire to 208V transformer tap.



T874N1024/
Q674F1261
or
T874R1129/
Q674L1181

24V
Terminal
Block

Fuse A - 60A Time Delay
Fuse B - 30A Standard

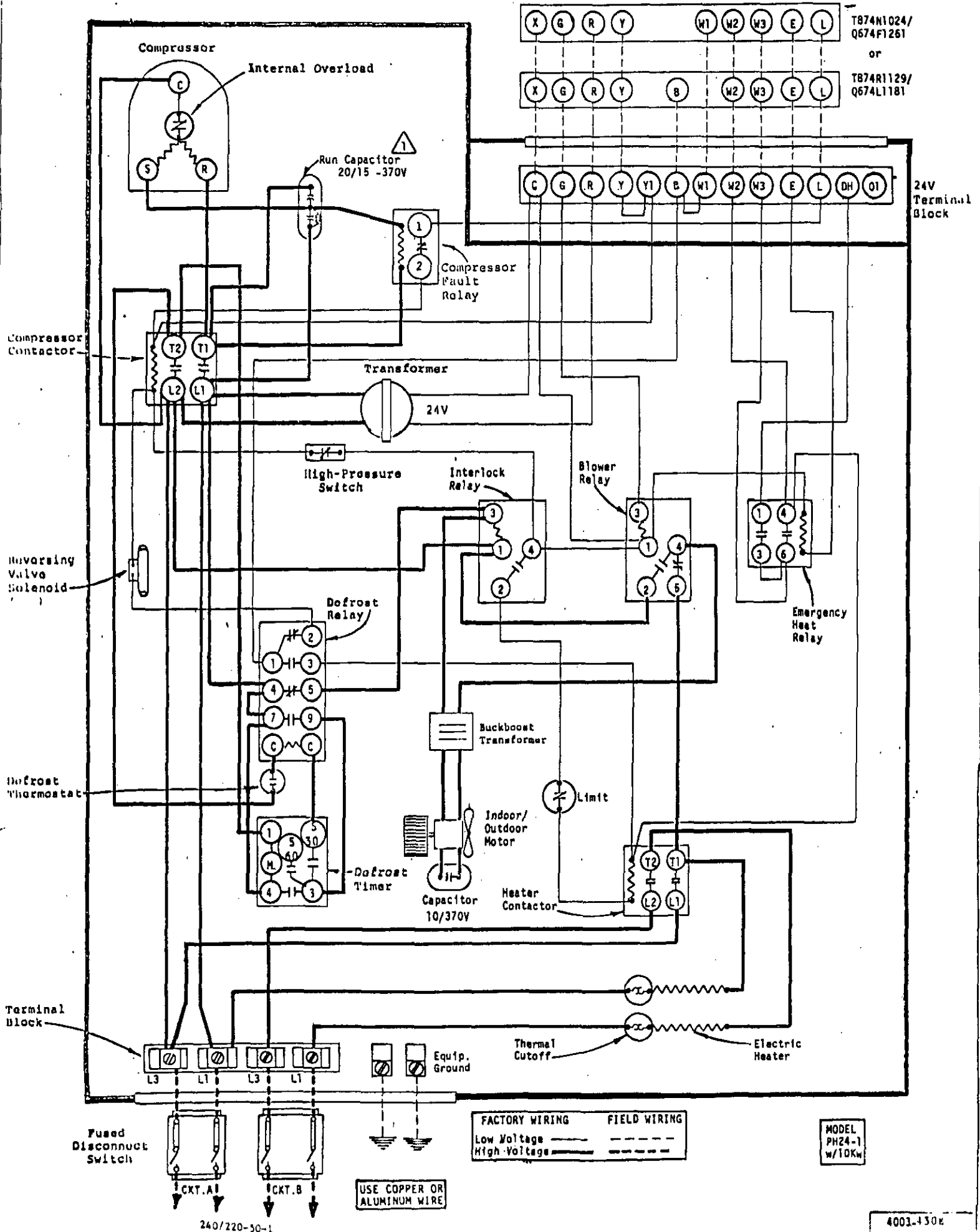
FACTORY WIRING	FIELD WIRING
Low Voltage	-----
High Voltage	-----

MODEL
PH24-
w/10Kn

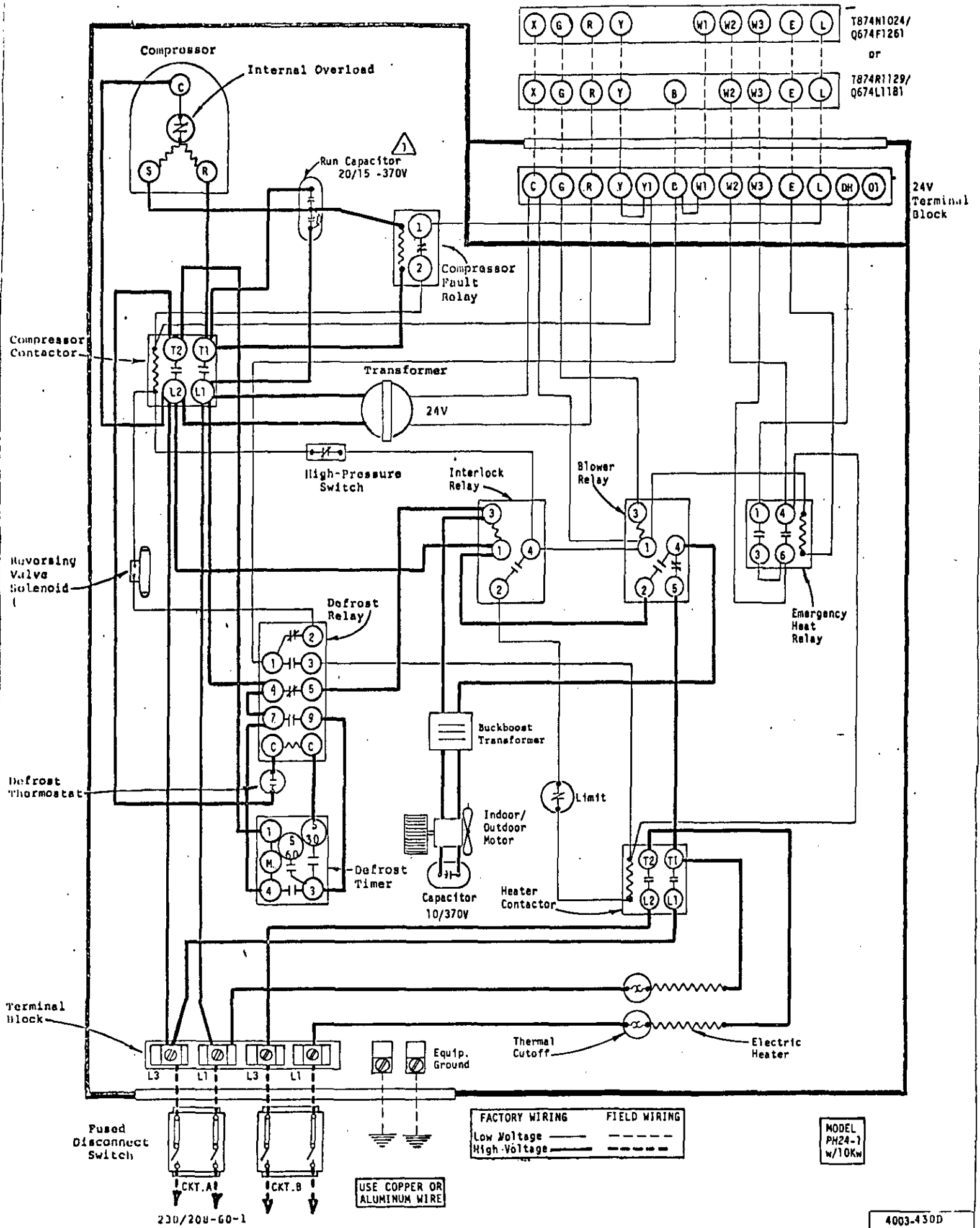
240/208-50-1

USE COPPER OR
ALUMINUM WIRE

⚠ Capacitor provides off-cycle crankcase heat.



⚠ Capacitor provides off-cycle crankcase heat.



T874N1024/
Q674F1261
or
T874R1129/
Q674L1181

24V
Terminal
Block

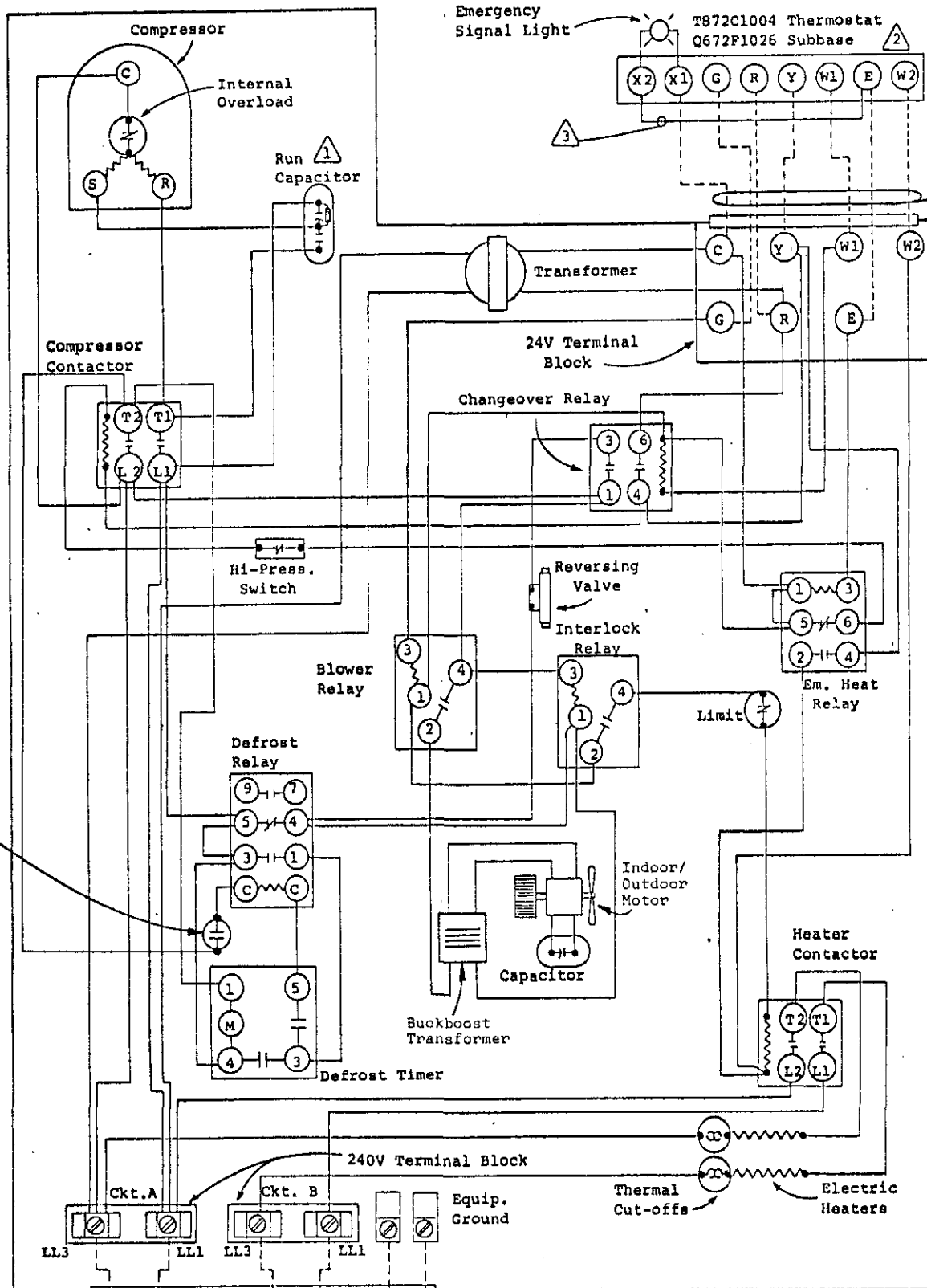
FACTORY WIRING	FIELD WIRING
Low Voltage	-----
High Voltage	-----

MODEL
PH24-1
w/10Kw

USE COPPER OR
ALUMINUM WIRE

230/208-60-1

4003-430D



Defrost Thermostat

NEC Class 2
24V Wiring

- ① 3-terminal capacitor provides off-cycle crankcase heat.
- ② Set heat anticipators at .40A for W1 and W2.
- ③ Reroute jumper from X2-W2 to X2-E.

USE COPPER OR ALUMINUM WIRE

Factory Wiring ———
Field Wiring - - - - -

Single Package Heat Pump
2 and 2-1/2 Ton
One Motor
w/8Kw

240/220-50-1

4003-430C

