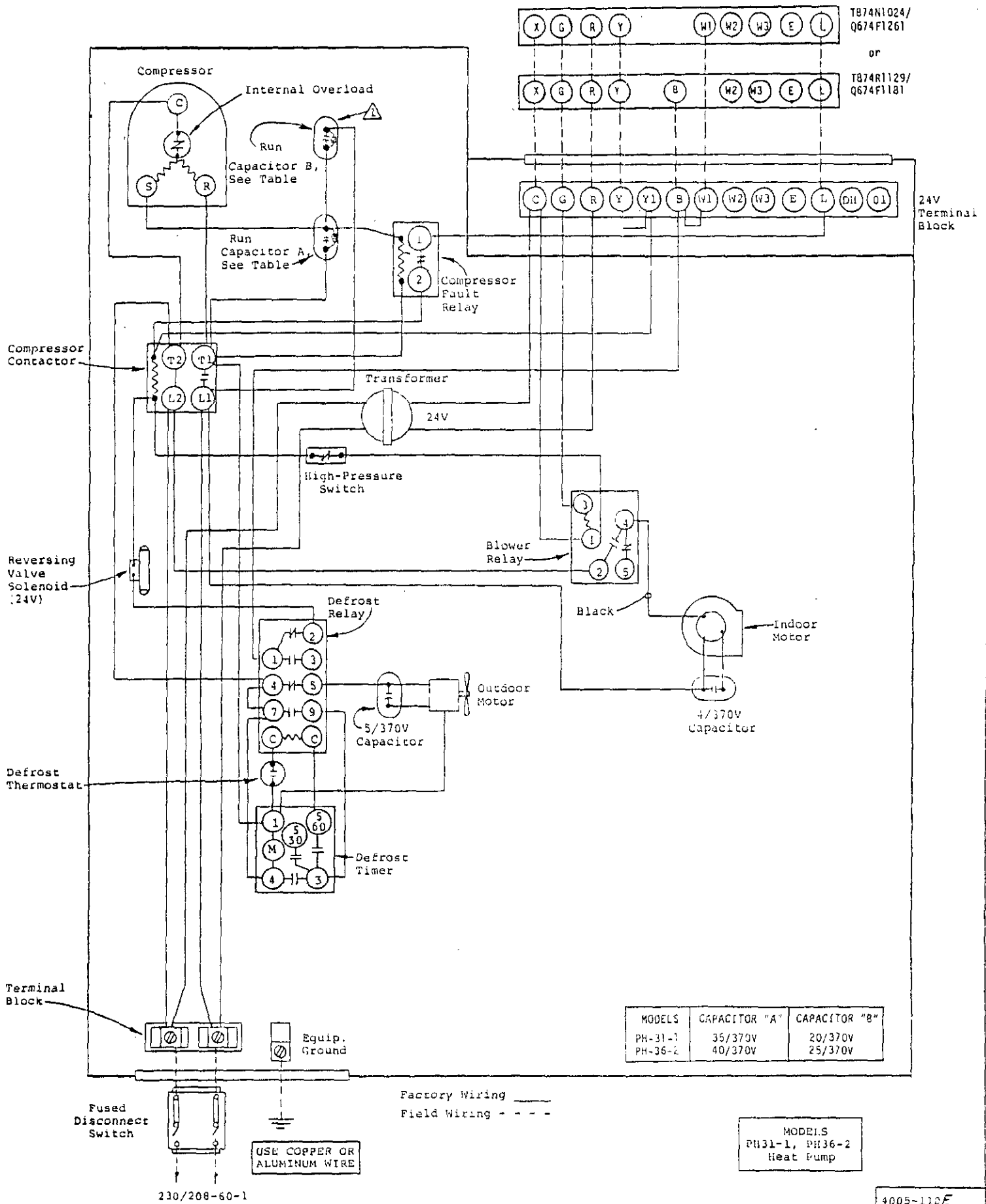


⚠ Capacitor provides off-cycle crankcase heat.



T874N1024/
Q674F1261
or
T874R1129/
Q674F1181

24V
Terminal
Block

MODELS	CAPACITOR "A"	CAPACITOR "B"
PH-31-1	35/370V	20/370V
PH-36-2	40/370V	25/370V

MODELS
PH31-1, PH36-2
Heat Pump

230/208-60-1

4005-110E