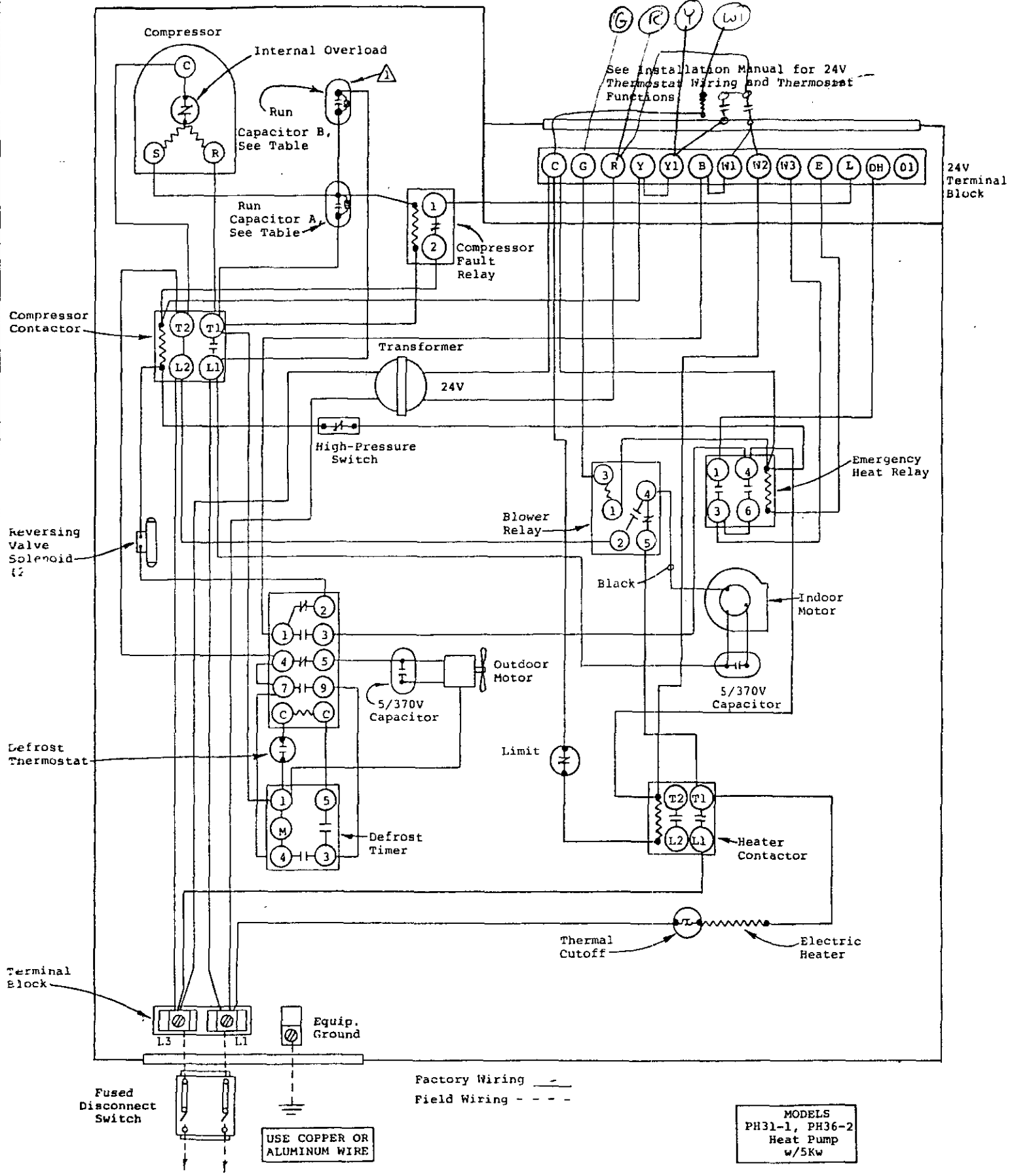


⚠ Capacitor provides off-cycle crankcase heat.

MODEL	CAPACITOR A	CAPACITOR B
PH31-1	35/370V	20/370V
PH36-2	40/370V	25/370V



230/208-60-1

MODELS  
PH31-1, PH36-2  
Heat Pump  
w/5Kw

4005-120 B