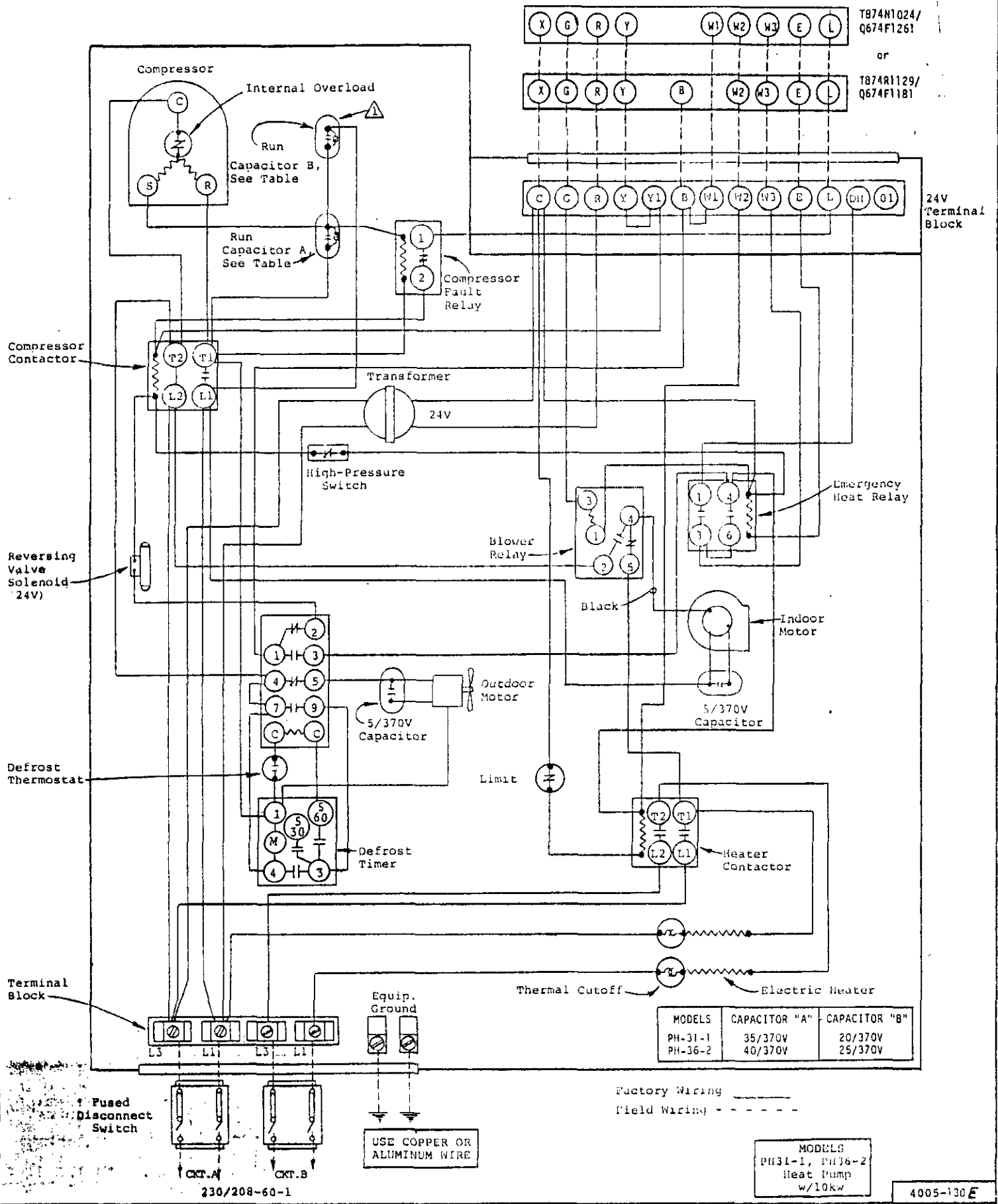


⚠ Capacitor provides off-cycle crankcase heat.



MODELS	CAPACITOR "A"	CAPACITOR "B"
PH-31-1	35/370V	20/370V
PH-36-2	40/370V	25/370V

Factory Wiring ———
Field Wiring - - - - -

USE COPPER OR ALUMINUM WIRE

MODELS
PH31-1, PH36-2
Heat Pump
w/10kw