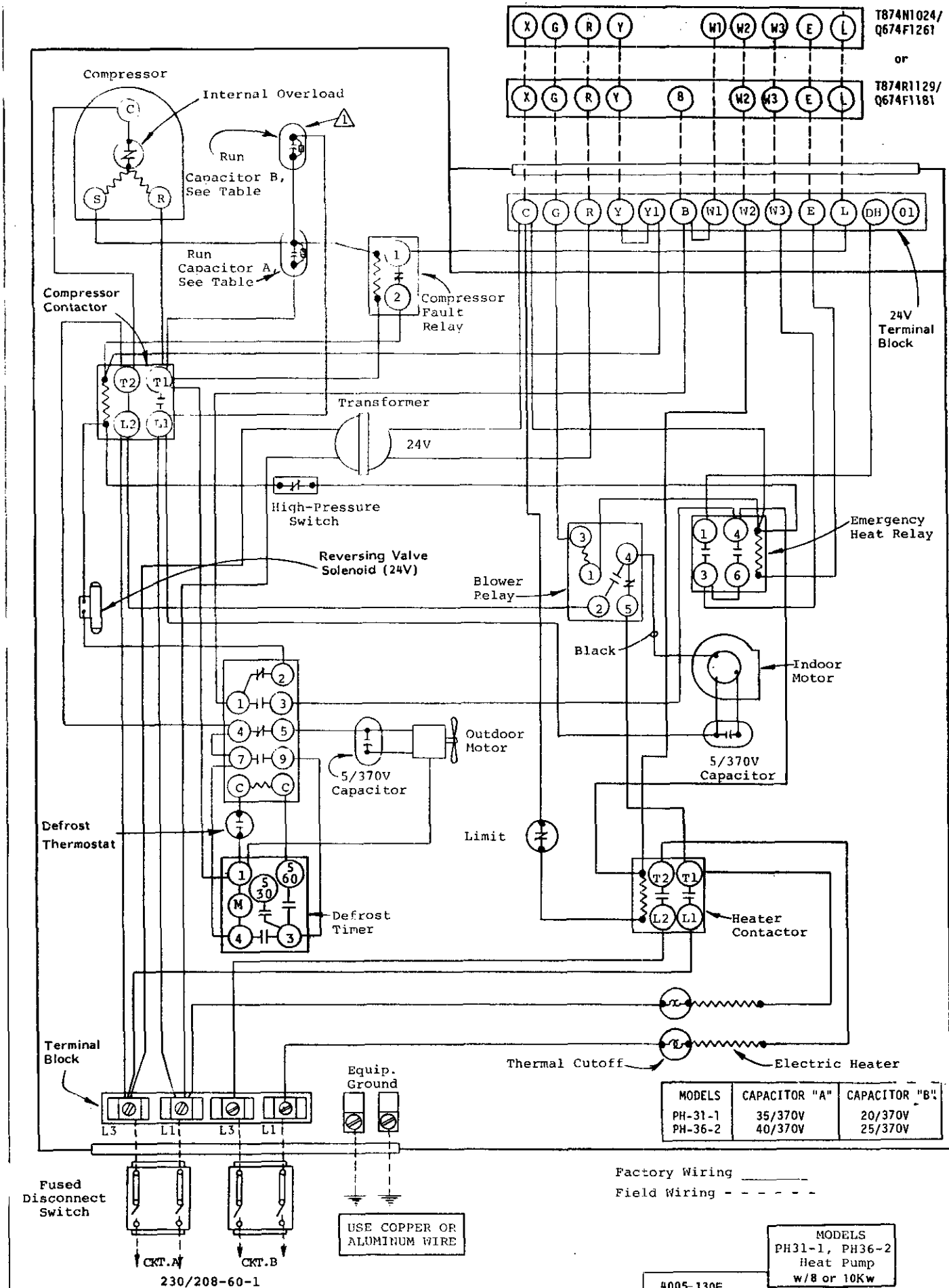


△ Capacitor provides off-cycle crankcase heat.



T874N1024/
Q674F1261

or
T874R1129/
Q674F1181

24V
Terminal
Block

Emergency
Heat Relay

Indoor
Motor

5/370V
Capacitor

Outdoor
Motor

Limit

Heater
Contactor

Thermal Cutoff

Electric Heater

MODELS	CAPACITOR "A"	CAPACITOR "B"
PH-31-1	35/370V	20/370V
PH-36-2	40/370V	25/370V

Factory Wiring ———
Field Wiring - - - - -

USE COPPER OR
ALUMINUM WIRE

MODELS
PH31-1, PH36-2
Heat Pump
w/8 or 10Kw

4005-130F

230/208-60-1

Fused
Disconnect
Switch

Terminal
Block

Equip.
Ground

Defrost
Thermostat

Defrost
Timer

5/370V
Capacitor

Outdoor
Motor

Blower
Relay

Reversing Valve
Solenoid (24V)

High-Pressure
Switch

Transformer

Compressor
Fault
Relay

Run
Capacitor A,
See Table

Run
Capacitor B,
See Table

Compressor

Internal Overload

Compressor
Contactor

T2 T1
L2 L1

X G R Y W1 W2 W3 E L

X G R Y B W2 W3 E L

C G R Y Y1 B W1 W2 W3 E L DH O1

L3

L1

L3

L1

CKT. A

CKT. B