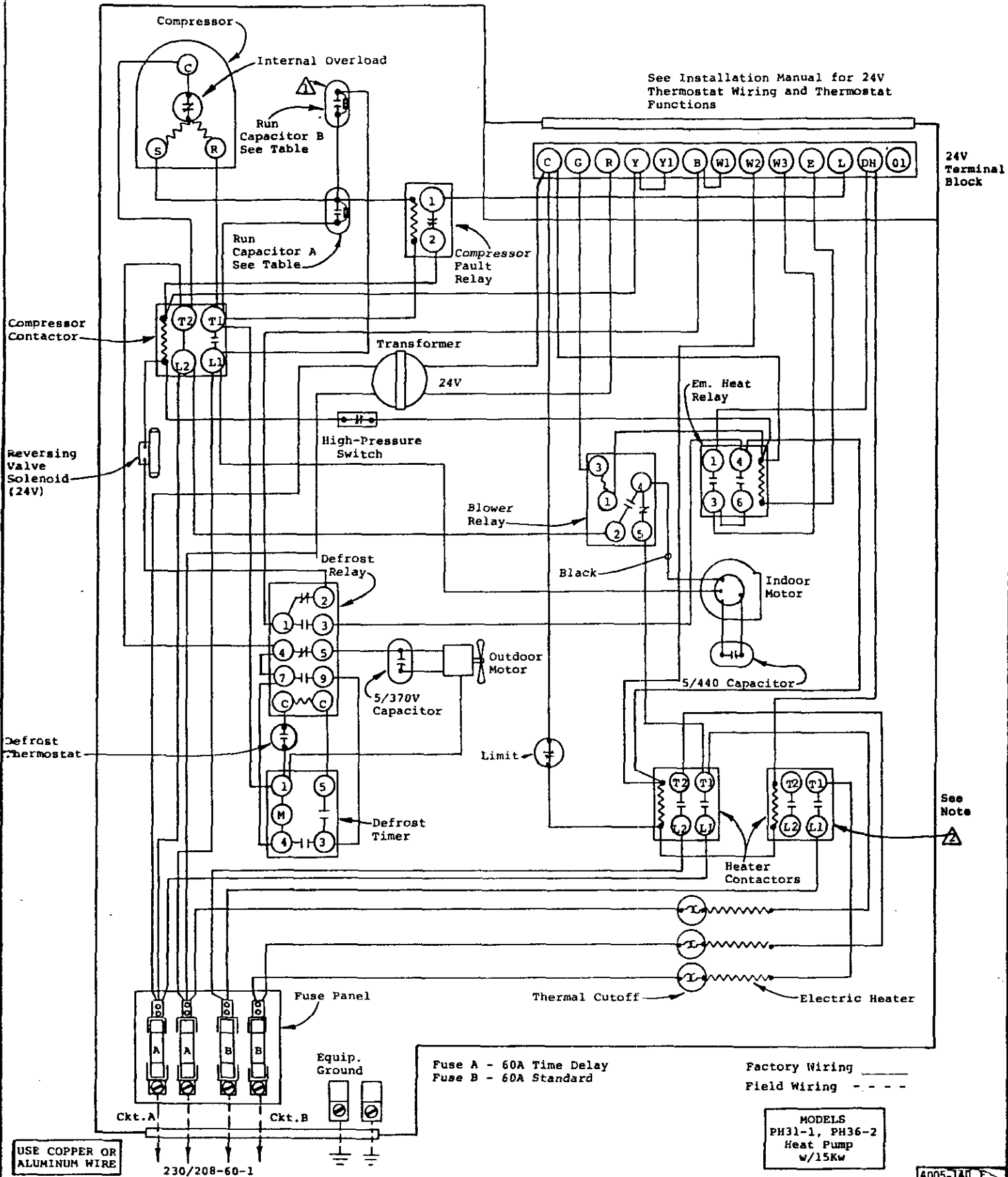


- ⚠ Capacitor provides off-cycle crankcast heat.
- ⚠ 2nd heat contactor operates only during emergency heat or compressor cut-off.

MODEL	CAPACITOR A	CAPACITOR B
PH31-1	35/370V	30/370V
PH36-2	40/370V	25/370V

See Installation Manual for 24V  
Thermostat Wiring and Thermostat  
Functions



24V  
Terminal  
Block

See  
Note

Fuse A - 60A Time Delay  
Fuse B - 60A Standard

Factory Wiring ———  
Field Wiring - - - -

MODELS  
PH31-1, PH36-2  
Heat Pump  
w/15Kw