

T874R1024/  
Q674F1261

or  
T874R1129/  
Q674F1181

24V  
Terminal  
Block

24V

High-Pressure  
Switch

Defrost  
Relay

Blower  
Relay

Black

Indoor  
Motor

Yellow

Brown

5/370V  
Capacitor

480-240V  
Stepdown  
Transformer

Defrost  
Timer

Terminal  
Block

Equip.  
Ground

Fused  
Disconnect  
Switch

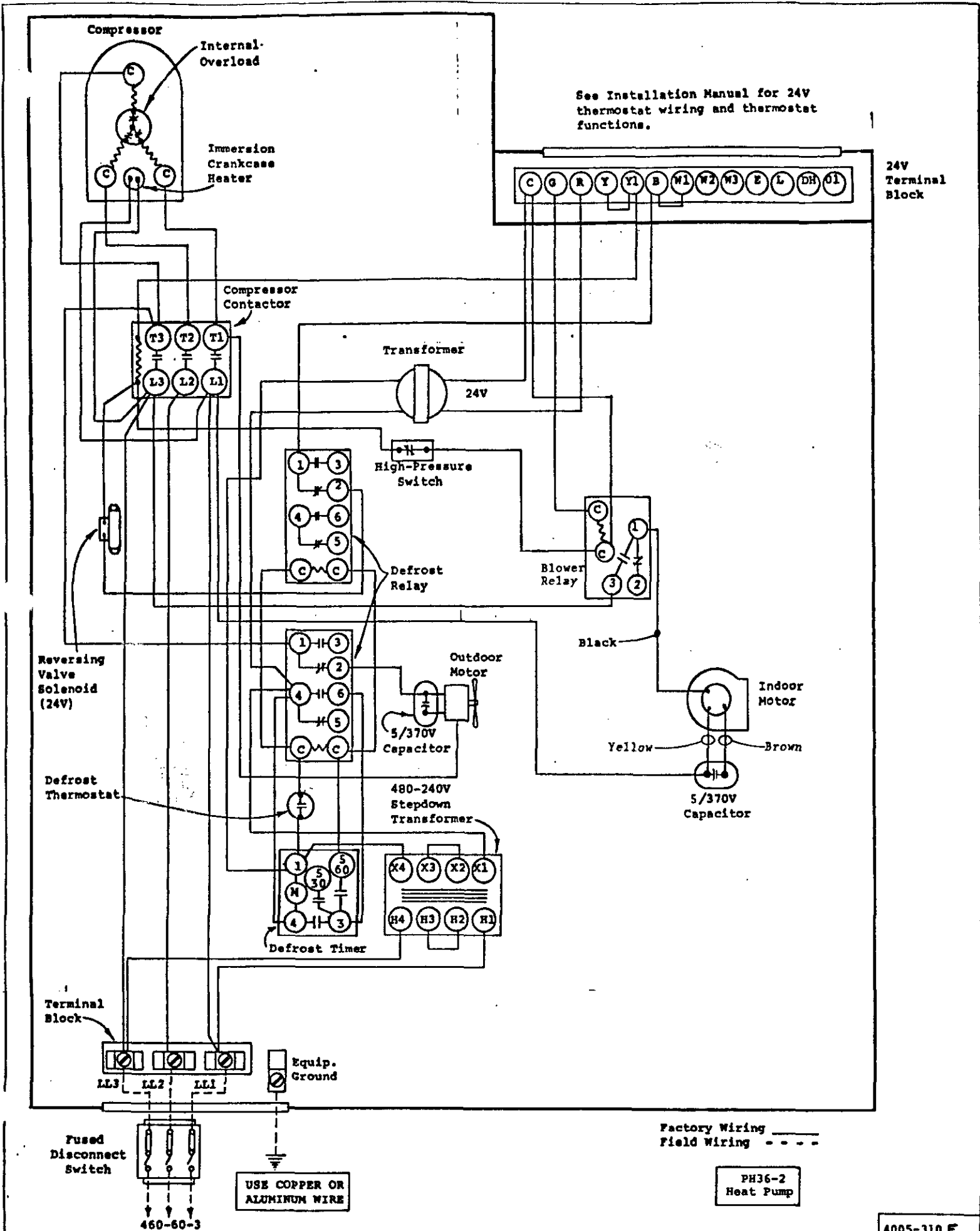
460-60-3

USE COPPER OR  
ALUMINUM WIRE

Factory Wiring ———  
Field Wiring - - - -

PH36-2  
Heat Pump

4005-310G



See Installation Manual for 24V thermostat wiring and thermostat functions.

24V Terminal Block

Reversing Valve Solenoid (24V)

Defrost Thermostat

Terminal Block

Equip. Ground

Fused Disconnect Switch

USE COPPER OR ALUMINUM WIRE

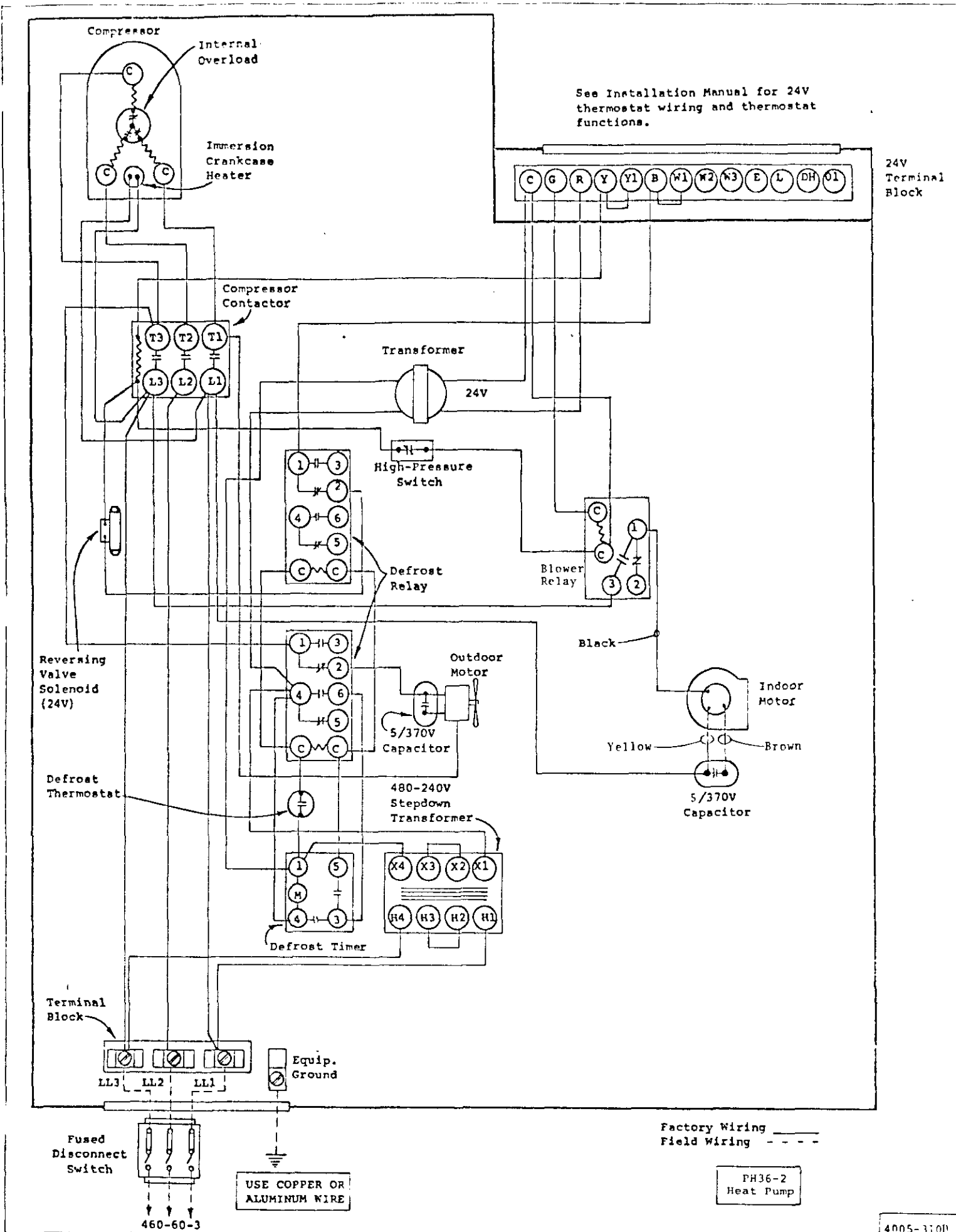
Factory Wiring ———  
Field Wiring - - - -

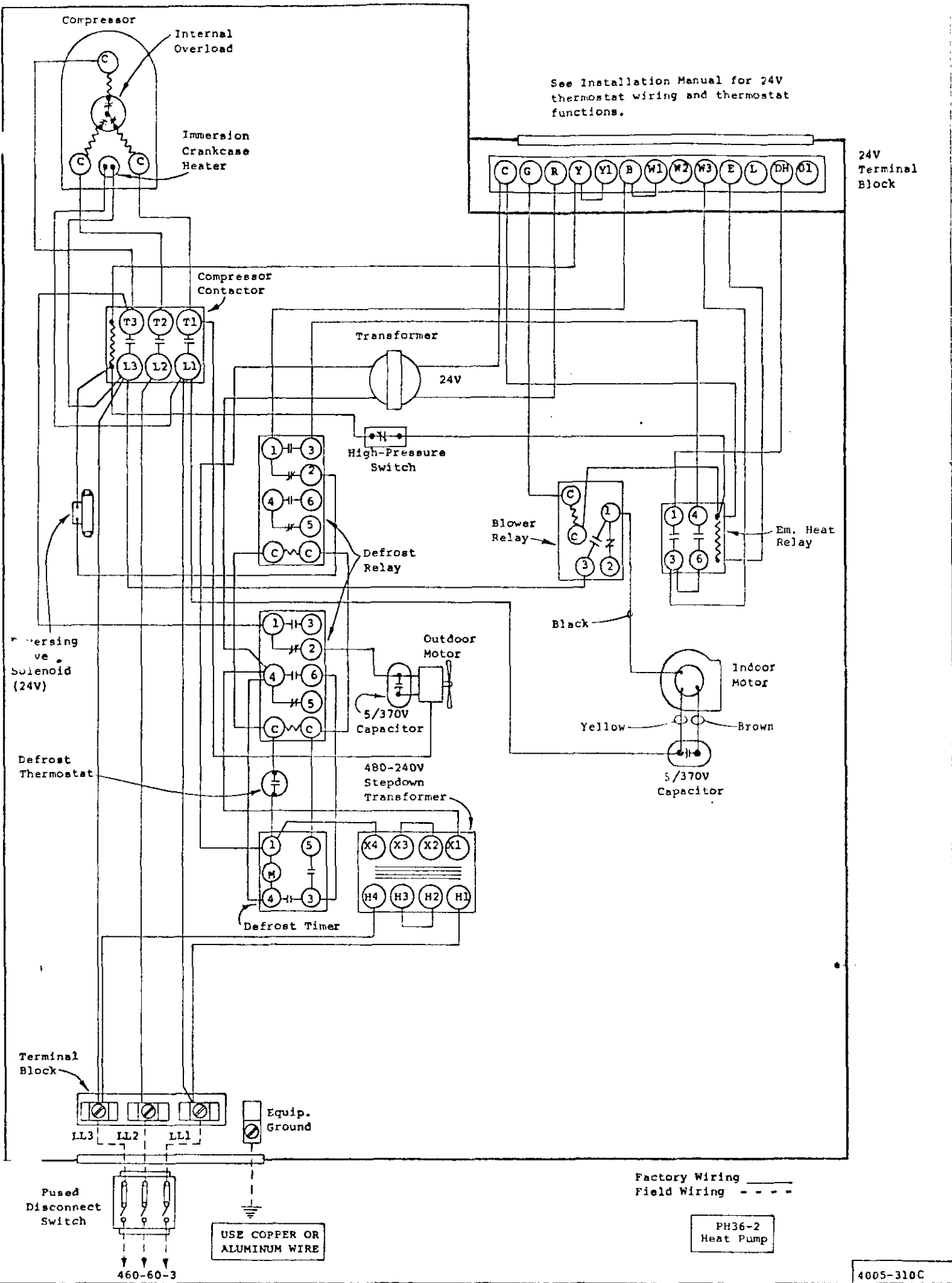
PH36-2 Heat Pump

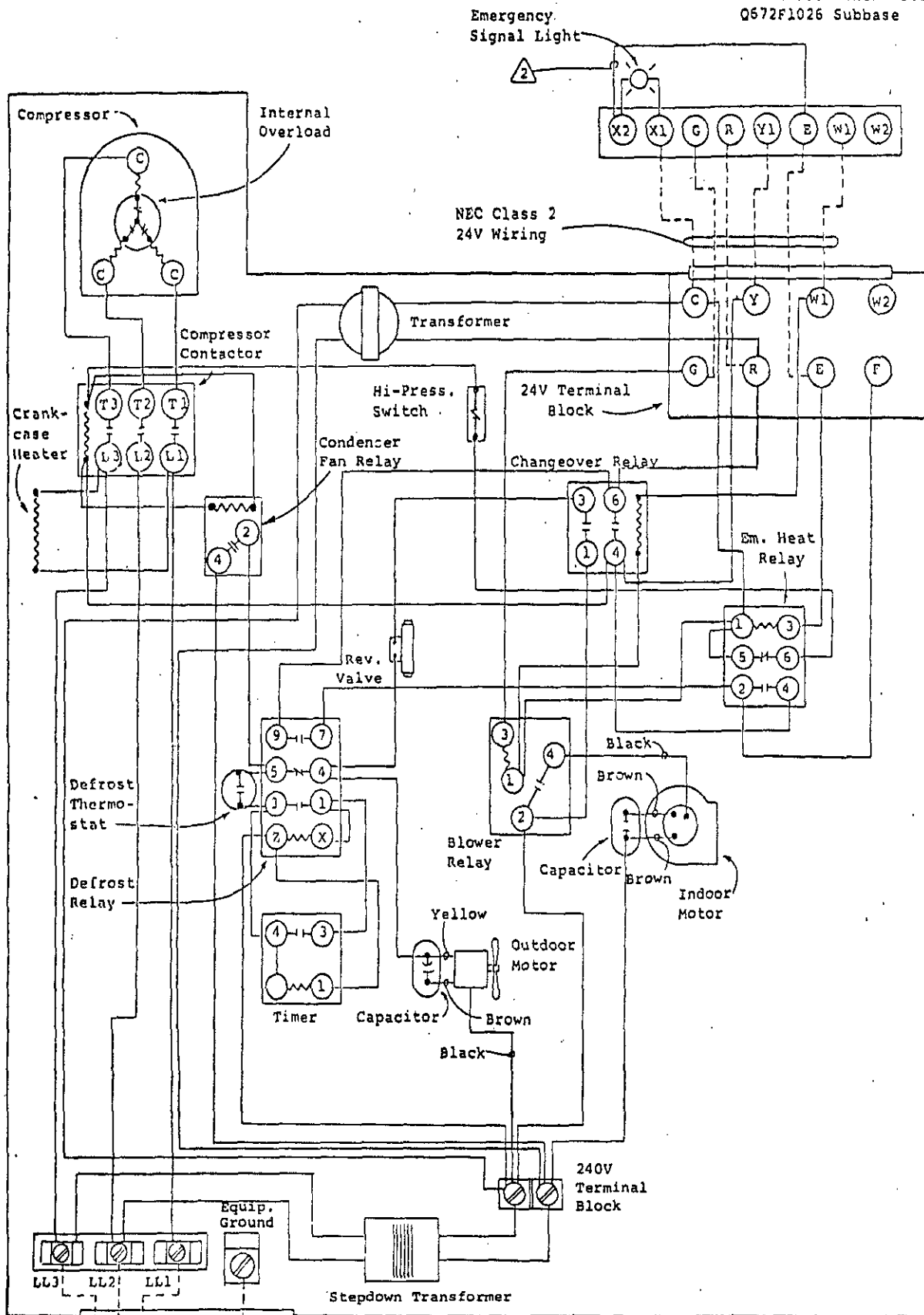
460-60-3

4005-310 F









Emergency Signal Light

NEC Class 2  
24V Wiring

Compressor Internal Overload

Crankcase Heater

Compressor Contactor

Transformer

Hi-Press. Switch

24V Terminal Block

Condenser Fan Relay

Changeover Relay

Em. Heat Relay

Rev. Valve

Defrost Thermostat

Defrost Relay

Blower Relay

Indoor Motor

Outdoor Motor

Timer

Capacitor

Capacitor

Capacitor

Capacitor

Capacitor

Capacitor

Capacitor

Capacitor

Capacitor

Capacitor

Capacitor

Capacitor

Capacitor

Capacitor

Capacitor

Capacitor

Capacitor

Capacitor

Capacitor

Capacitor

Capacitor

Capacitor

Capacitor

Capacitor

LL3 LL2 LL1

Equip. Ground

Stepdown Transformer

240V Terminal Block

Fused Disconnect Switch

USE COPPER OR ALUMINUM WIRE

1 Reroute jumper from X2-W2 to X2-E.

2 Set heat anticipators at .40A for W1 and W2.

Single Package Heat Pump 3-Ton