

T874N1024/  
Q674F1261

or

T874R1129/  
Q674F1181

24V  
Terminal  
Block

24V

480-240V

4/370V

5/370V

Factory Wiring ———  
Field Wiring - - - -

MODEL  
PH36-2  
Heat Pump  
w/6,9,12,15Kw

4005-320E

Fused  
Disconnect  
Switch



460-60-3

USE COPPER OR  
ALUMINUM WIRE



Equip.  
Ground

Thermal  
Cutoff

Electric  
Heater

Reversing  
Valve  
Solenoid  
(24V)

Defrost  
Thermostat

Terminal  
Block

LL3 LL2 LL1

Compressor  
Contactor

Compressor

Internal  
Overload

Immersion  
Crankcase  
Heater

Transformer

High-Pressure  
Switch

Defrost  
Relay

Blower  
Relay

Em. Heat  
Relay

Outdoor  
Motor

Indoor  
Motor

480-240V  
Stepdown  
Transformer

Defrost  
Timer

Heater  
Contactor

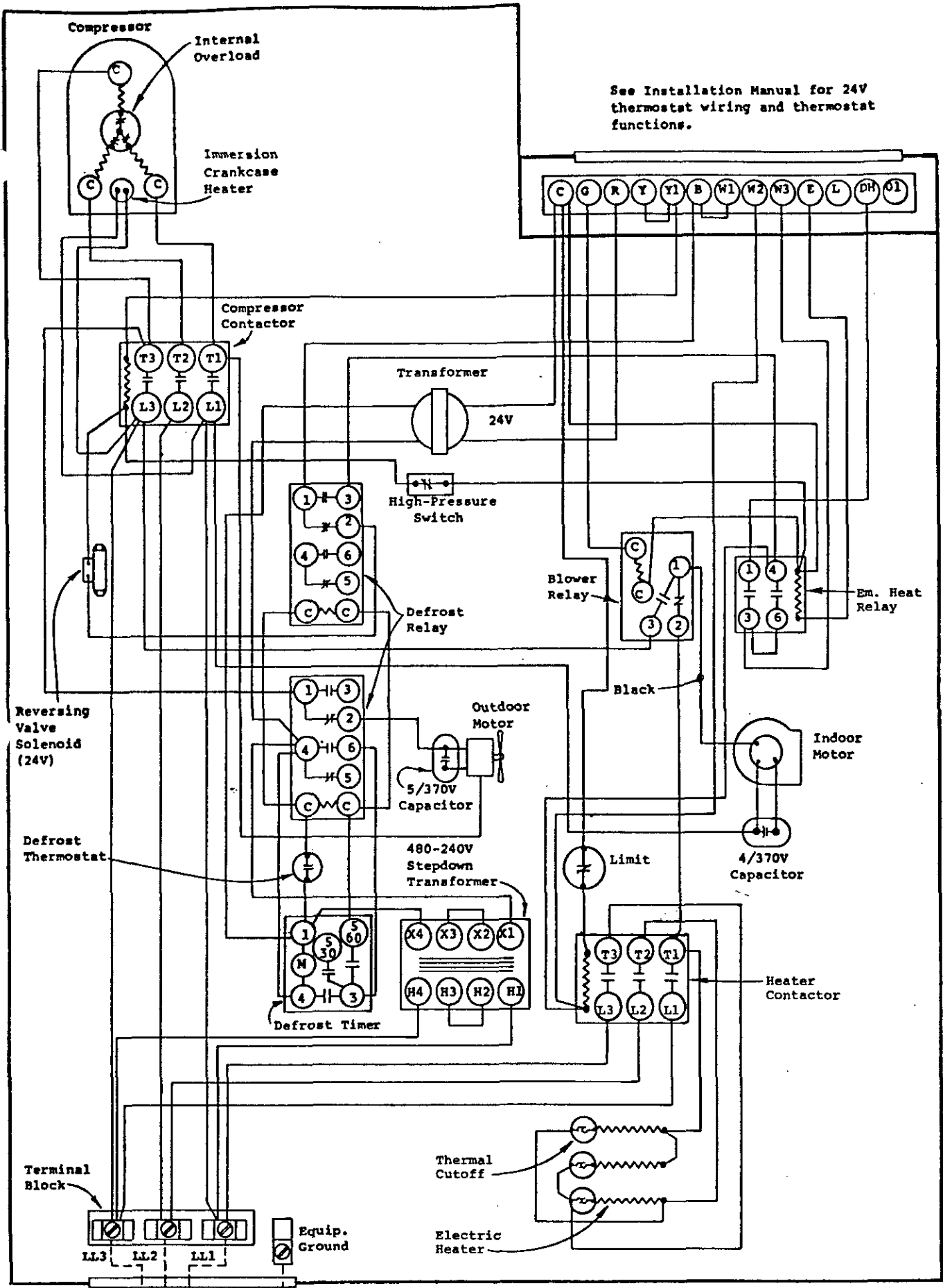
Limit

Thermal  
Cutoff

Electric  
Heater

See Installation Manual for 24V thermostat wiring and thermostat functions.

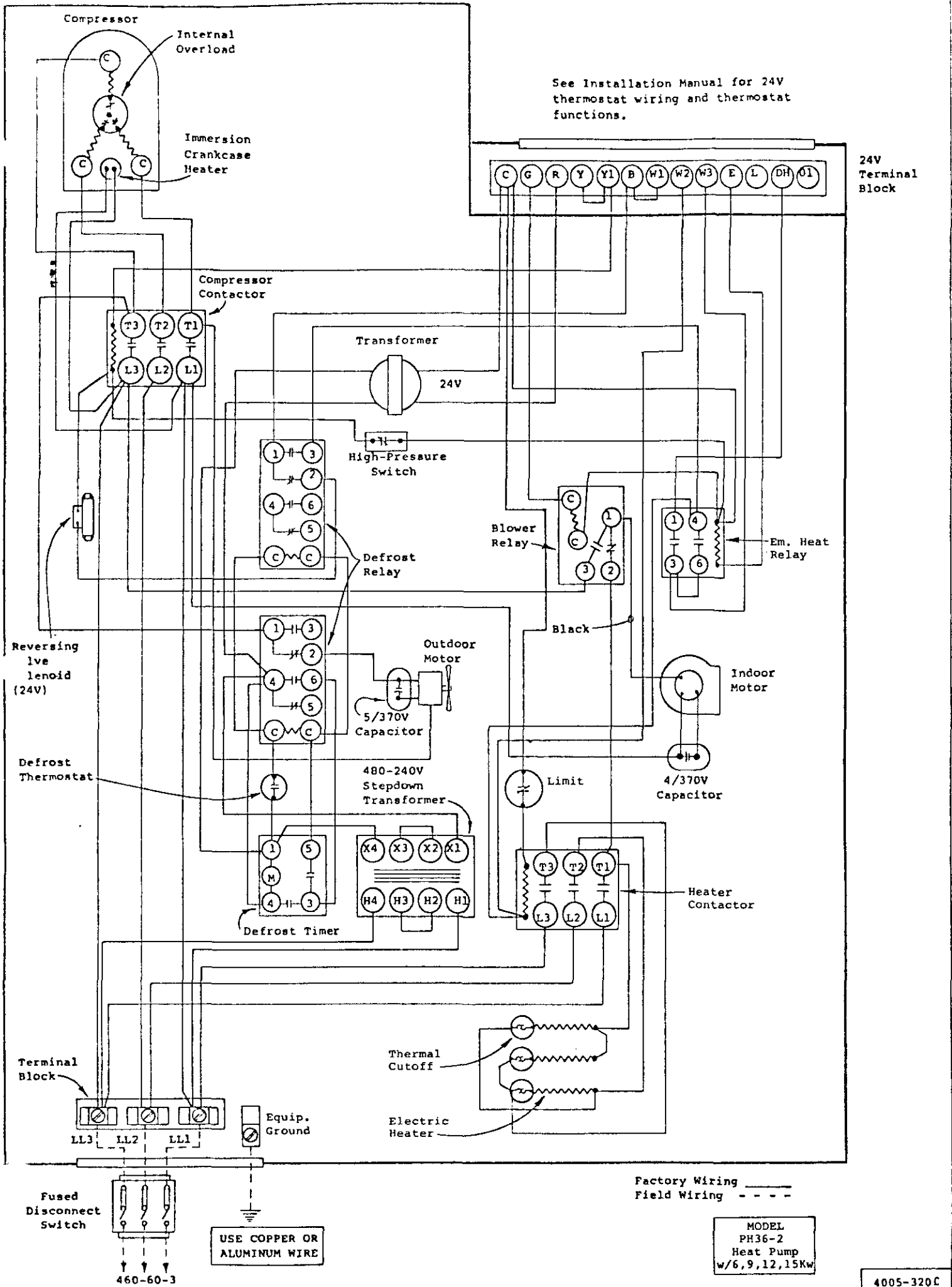
24V Terminal Block



Factory Wiring ———  
Field Wiring - - - -

MODEL  
PH36-2  
Heat Pump  
w/6,9,12,15Kw

USE COPPER OR  
ALUMINUM WIRE



See Installation Manual for 24V thermostat wiring and thermostat functions.

24V Terminal Block

Reversing I've lenoid (24V)

Defrost Thermostat

Terminal Block

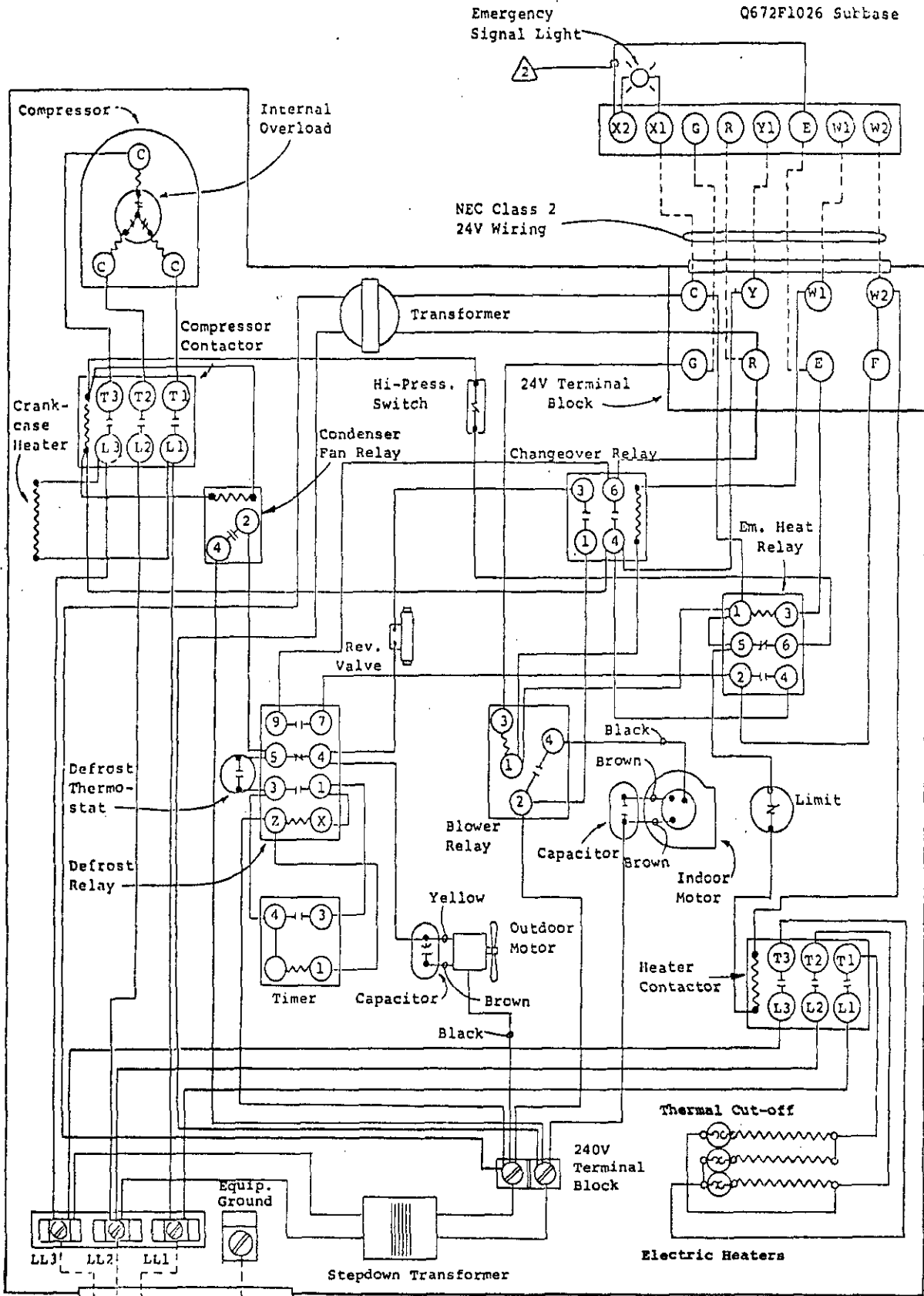
Fused Disconnect Switch

USE COPPER OR ALUMINUM WIRE

MODEL PH36-2 Heat Pump w/6,9,12,15Kw

4005-320C

T872C1004 Thermostat  
Q672F1026 Subbase



Fused Disconnect Switch

USE COPPER OR ALUMINUM WIRE

- 1 Reroute jumper from X2-W2 to X2-E.
- 2 Set heat anticipators at .40A for W1 and W2.

Single Package Heat Pump  
3-Ton  
w/9, 12, or 15Kw

460V 60 Hz 3-Ph

Factory Wiring ———  
Field Wiring - - - - -