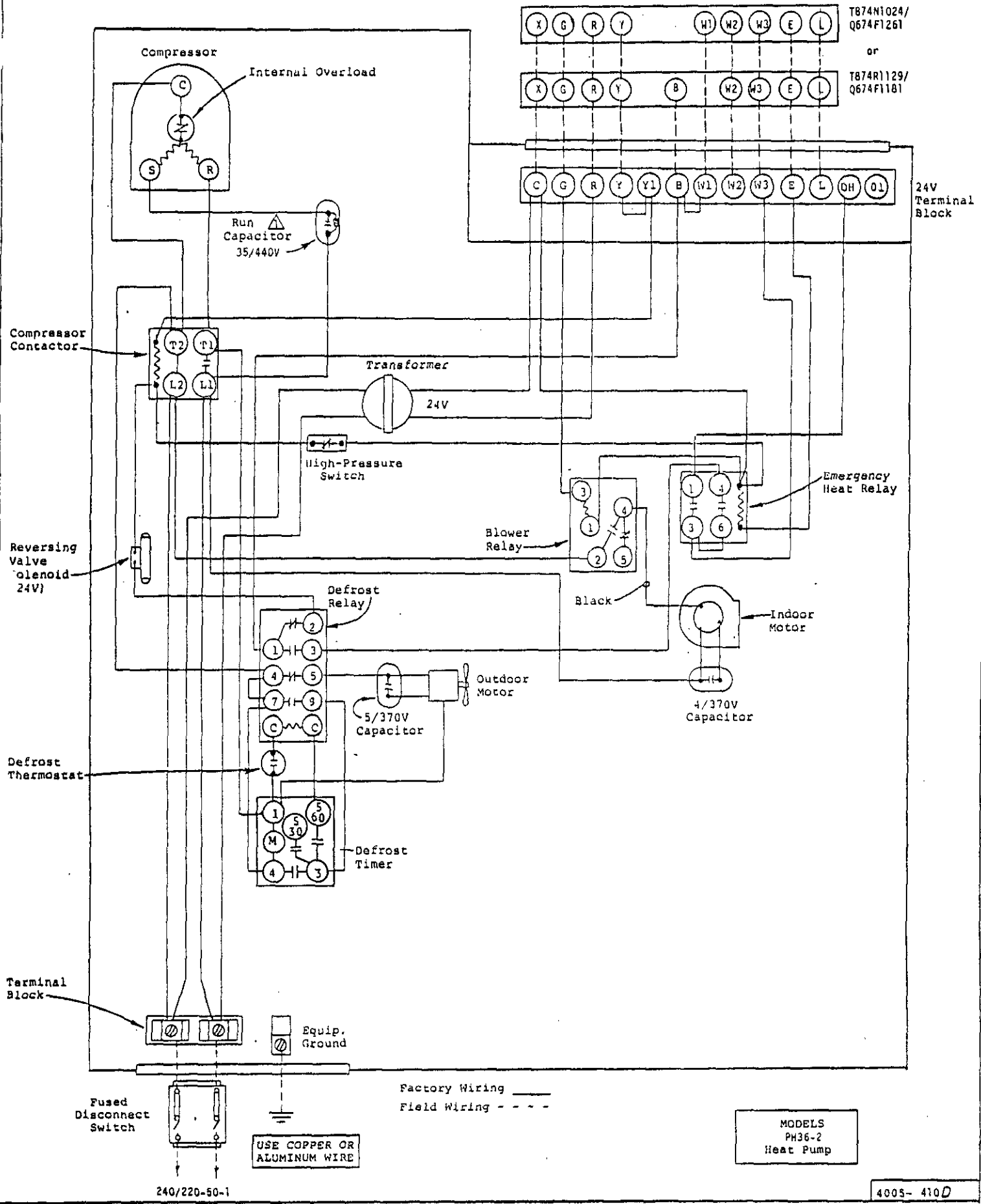


⚠ Capacitor provides off-cycle crankcase heat.



Fused Disconnect Switch

USE COPPER OR ALUMINUM WIRE

Factory Wiring ———
Field Wiring - - - -

MODELS
PH36-2
Heat Pump

240/220-50-1

4005-410D