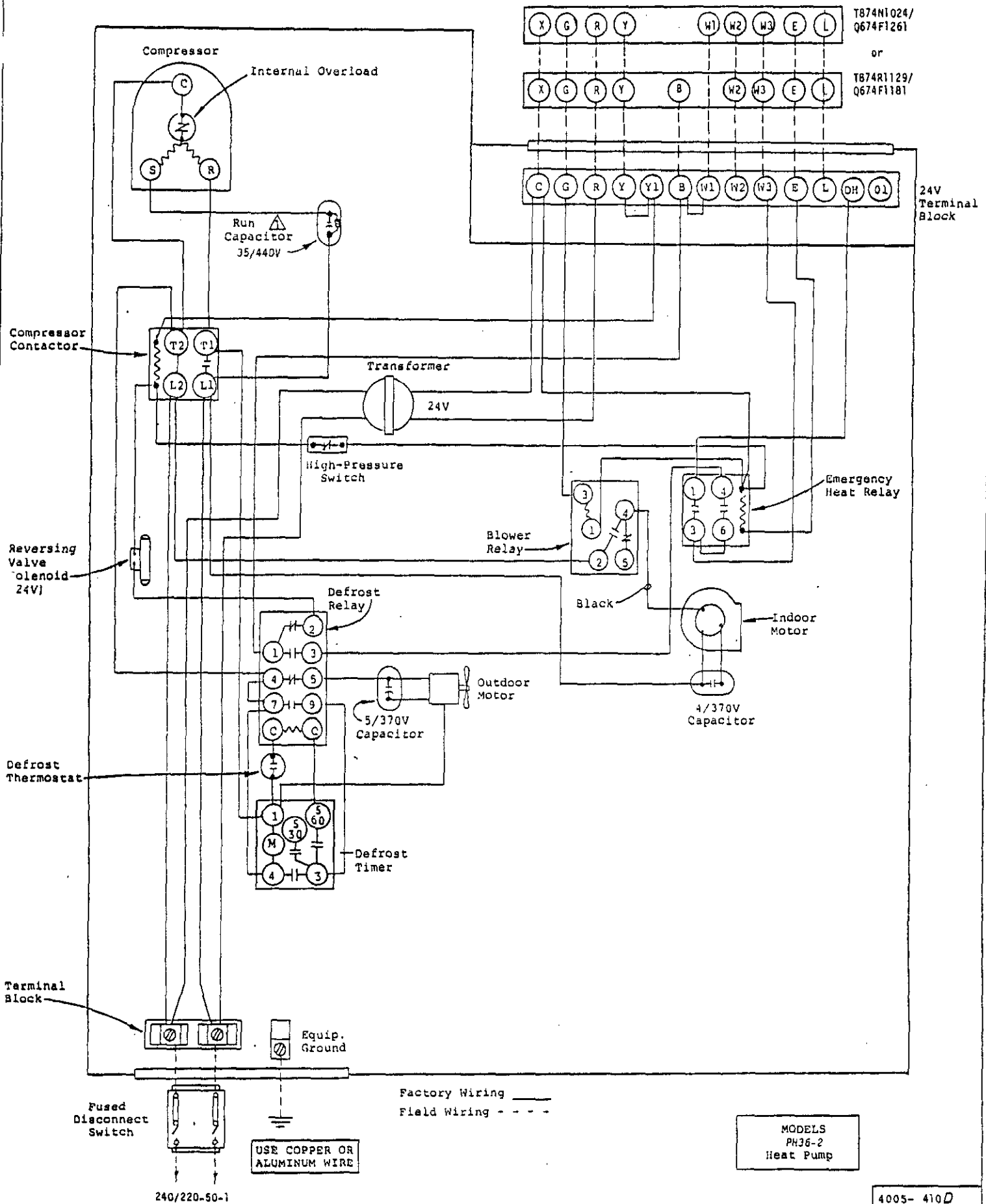
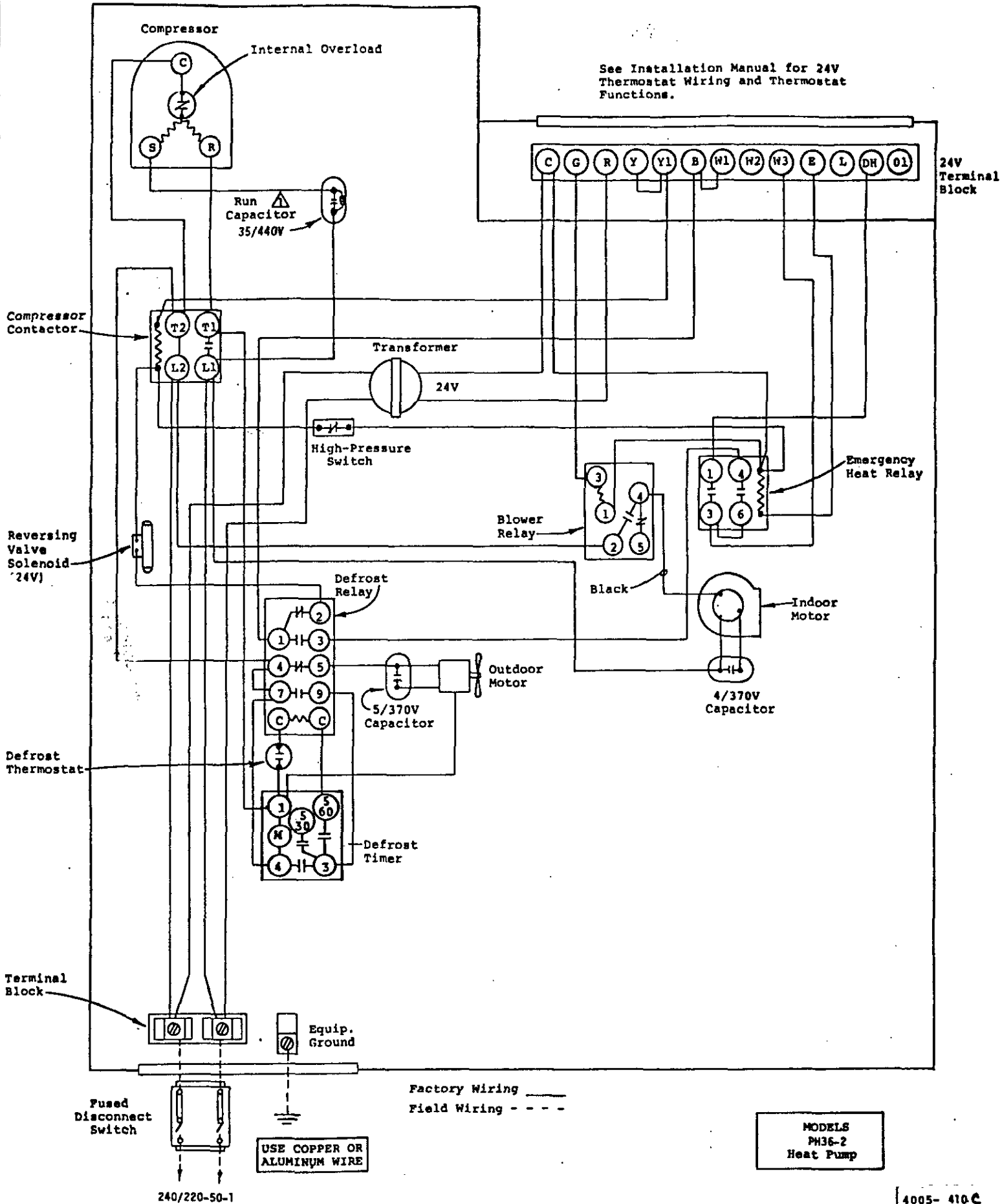


⚠ Capacitor provides off-cycle crankcase heat.



MODELS
PH36-2
Heat Pump

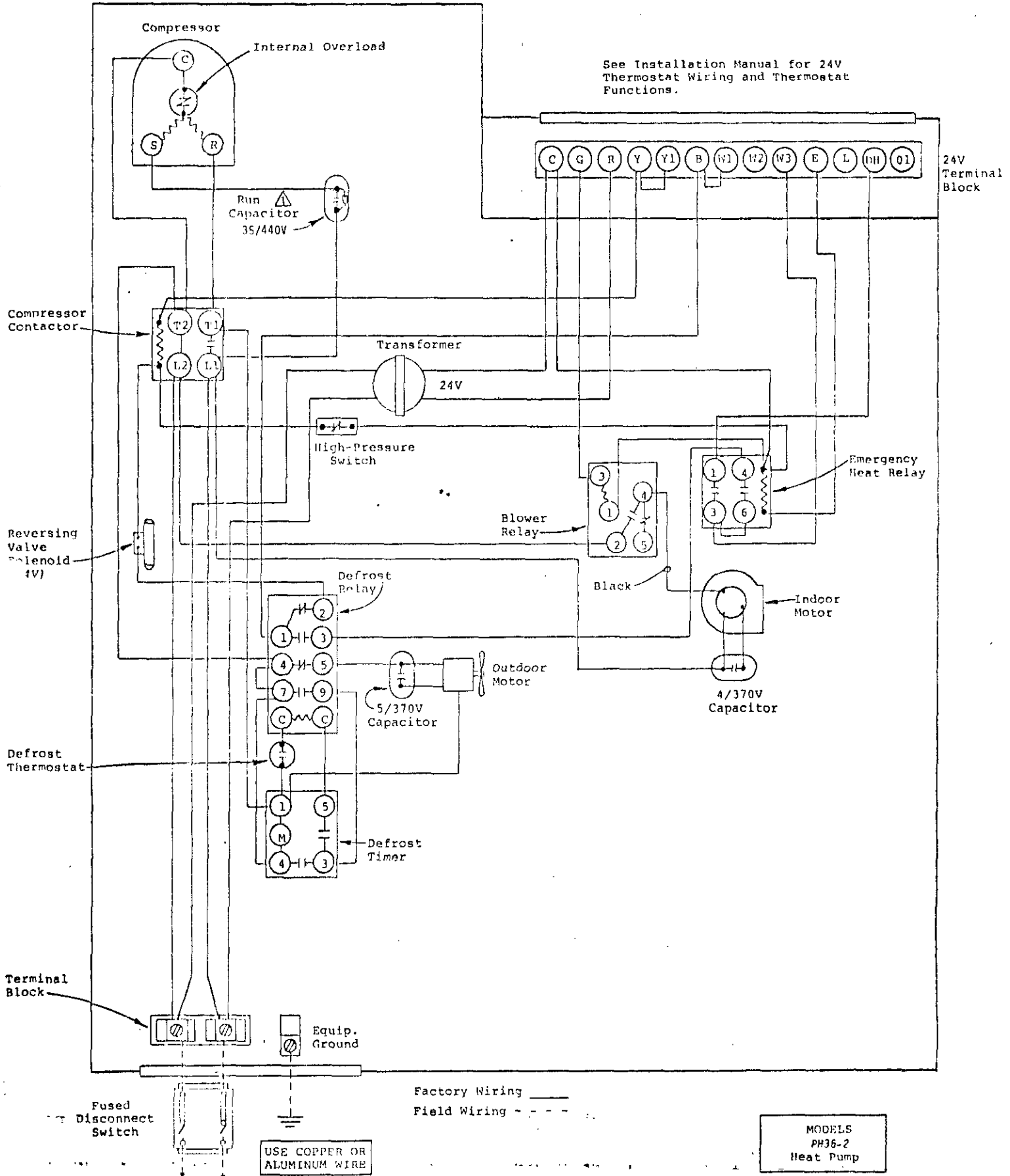
⚠ Capacitor provides off-cycle crankcase heat.



See Installation Manual for 24V Thermostat Wiring and Thermostat Functions.

MODELS
PH36-2
Heat Pump

⚠ Capacitor provides off-cycle crankcase heat.



See Installation Manual for 24V Thermostat Wiring and Thermostat Functions.

24V Terminal Block

Compressor Contactor

Run Capacitor 35/440V

Transformer

24V

High-Pressure Switch

Emergency Heat Relay

Blower Relay

Black

Indoor Motor

Outdoor Motor

4/370V Capacitor

5/370V Capacitor

Defrost Timer

Defrost Thermostat

Terminal Block

Equip. Ground

Factory Wiring

Field Wiring

Fused Disconnect Switch

USE COPPER OR ALUMINUM WIRE

MODELS PH36-2 Heat Pump