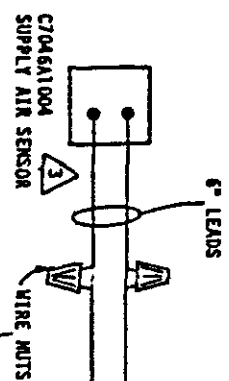
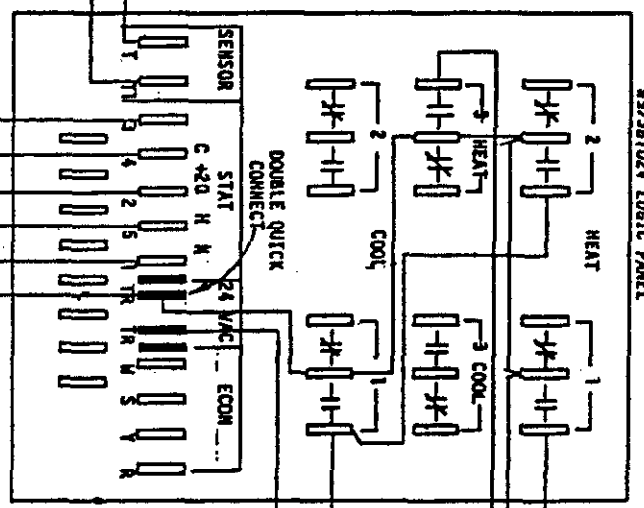


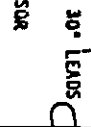
W7201024 LOGIC PANEL



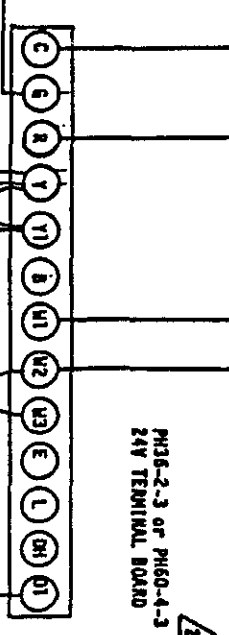
WIRE BUNDLE SUPPLIED BY BAND



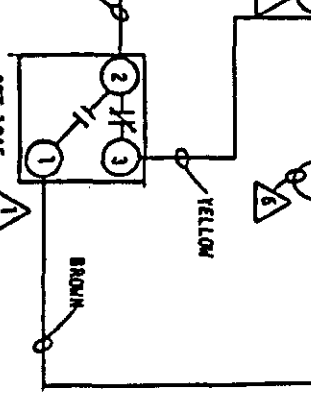
C7046A1004  
SUPPLY AIR SENSOR



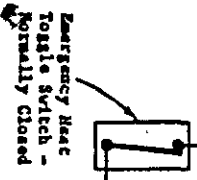
T7022A1010  
RETURN AIR SENSOR



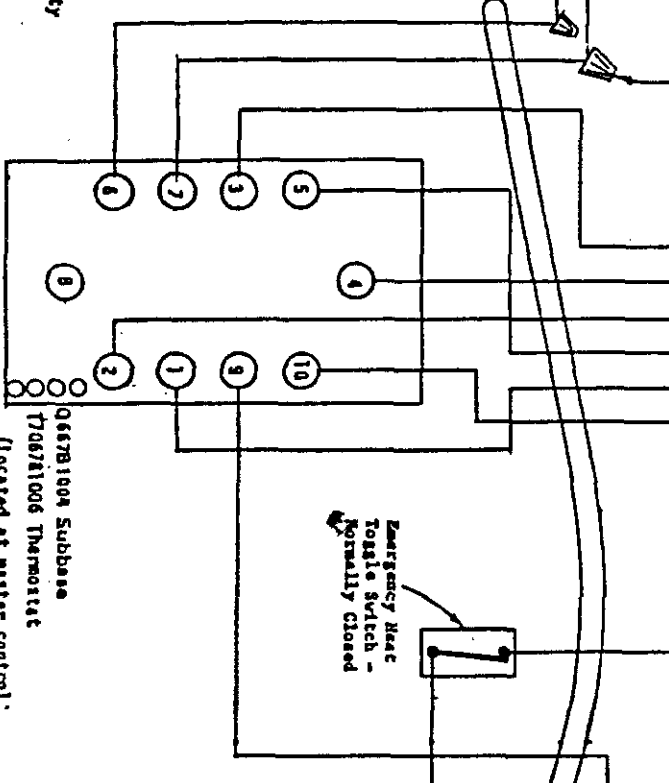
PH36-2-3 or PH60-4-3  
24V TERMINAL BOARD



DDT-1045  
COMPRESSOR CUTOFF  
(Optional, Field Installed)



Emergency Heat  
Toggle Switch -  
Normally Closed



O667B1004 Subbase  
T7067A1006 Thermostat  
(located at master control  
station)

Arthur Industries  
K.J. Correction Facility  
Leesburg, New Jersey

- ▲ Remove factory jumper Y-F1 if optional compressor cutoff installed.
- ▲ Only wiring connections shown need be made.
- ▲ Locate in supply air section of roof hood.
- ▲ Locate in return air section of roof hood.
- ▲ Locate at heat pump control panel.
- ▲ Add jumper W2-W3 only if optional compressor cutoff is not installed.