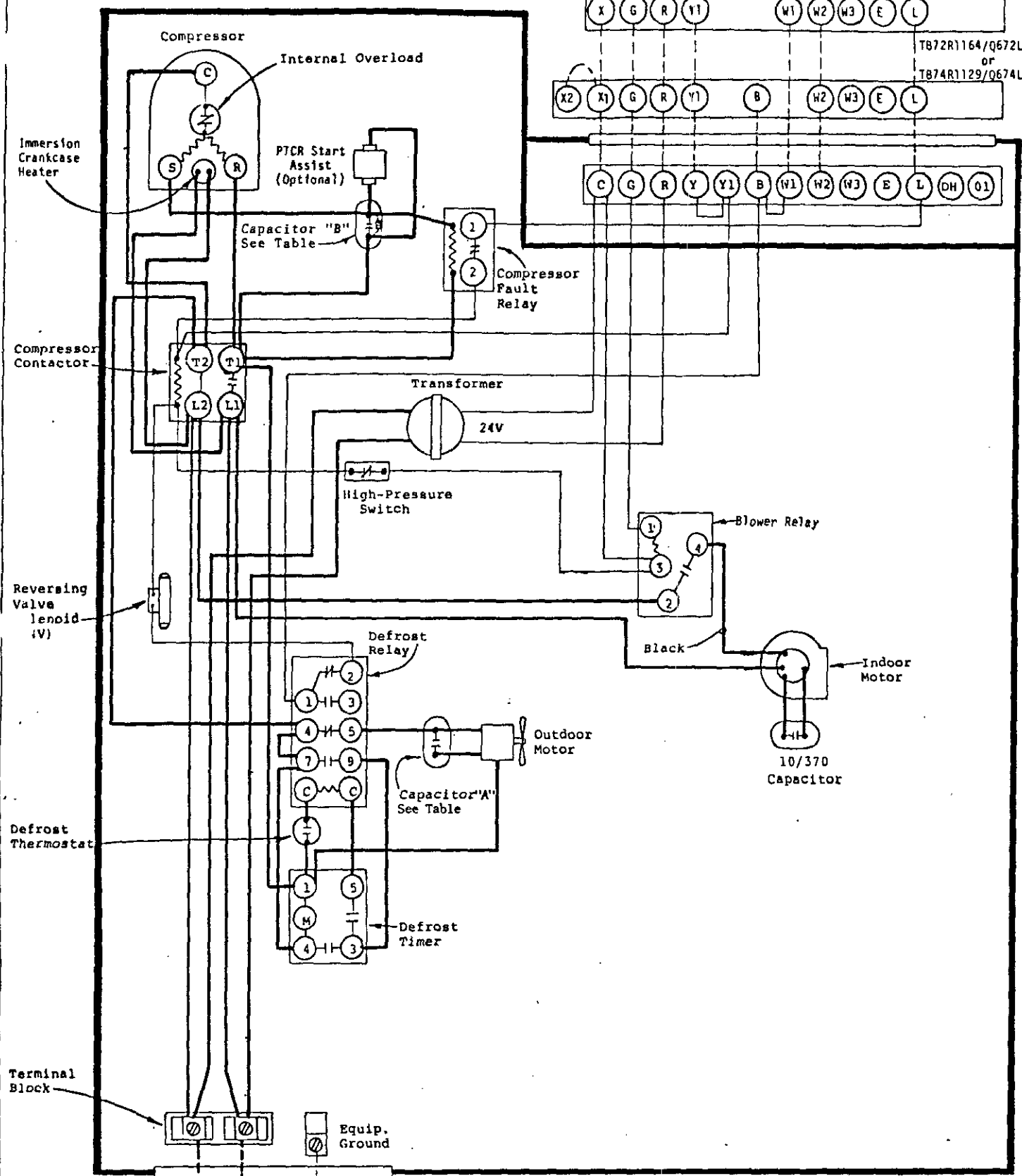


T872N1036/Q672F1299
or
T874N1024/Q674F1261

T872R1164/Q672L1185
or
T874R1129/Q674L1181

24V
Terminal
Block



Fused
Disconnect
Switch

USE COPPER OR
ALUMINUM WIRE

MODEL	CAP. "A"	CAP. "B"
PH42	15/370	40/440
PH48-2	15/370	70/370
PH60-2	7.5/370	70/370

	FACTORY WIRING	FIELD WIRING
Low Voltage	————	-----
High Voltage	————	-----

MODELS
PH42, PH48-2
PH60-2
HEAT PUMP
0 Kw