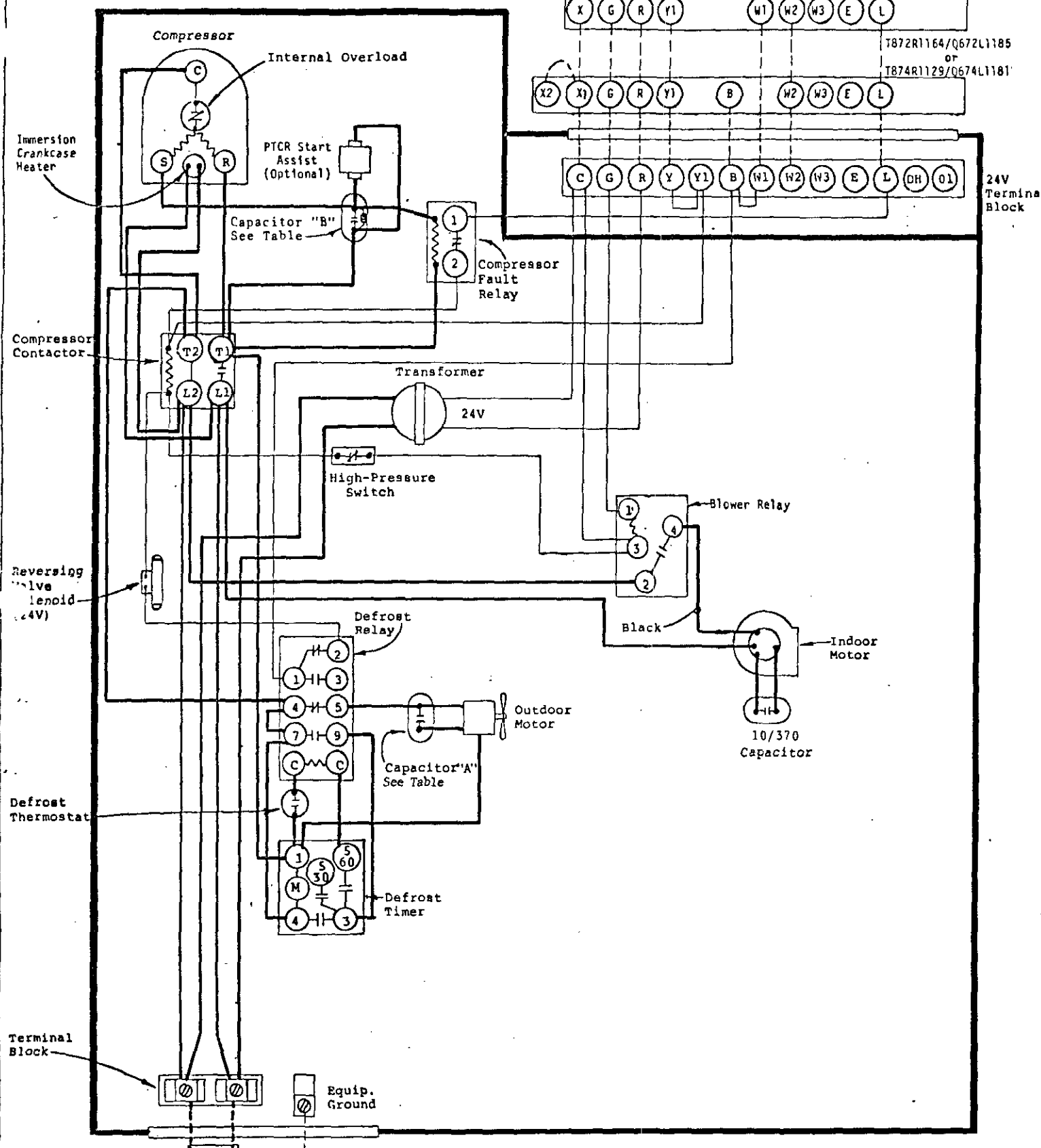


TB72N1036/Q672F1299

OR
TB74N1024/Q674F1261

TB72R1164/Q672L1185

OR
TB74R1129/Q674L1181



Terminal Block

Fused Disconnect Switch

USE COPPER OR ALUMINUM WIRE

FACTORY WIRING		FIELD WIRING	
Low Voltage	————	-----	-----
High Voltage	————	-----	-----

MODEL	CAP. "A"	CAP. "B"
PH42	15/370	40/440
PH48-2	15/370	70/370
PH60-2	7.5/370	70/370
PH60-4	7.5/370	90/370

MODELS
PH42, PH48-2
PH60-2, PH60-4
HEAT PUMP
0 Kw

230/208-60-1

4006-1106