

230/208-60-1

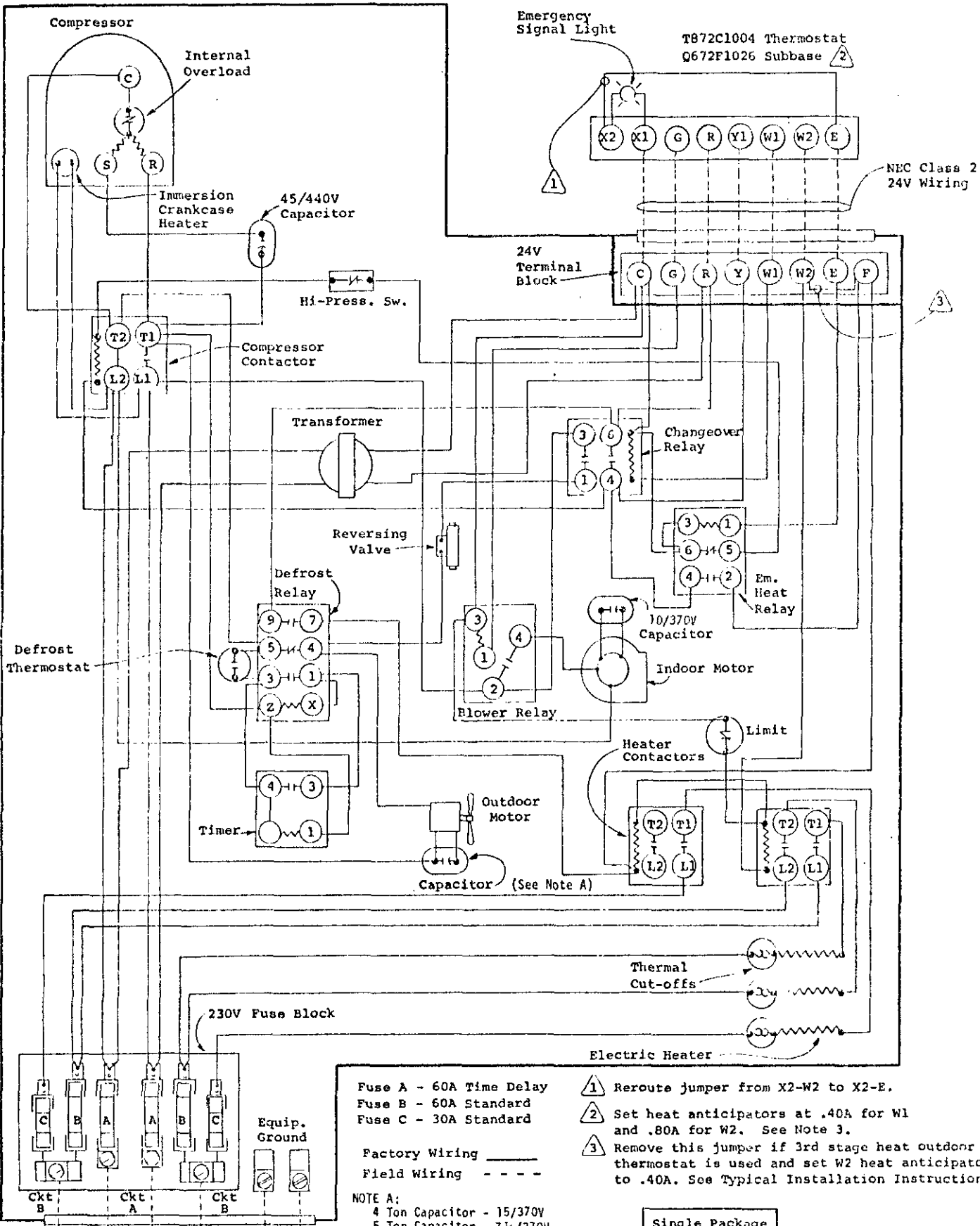
USE COPPER OR ALUMINUM WIRE

Single Package
Heat Pump
4 and 5 Ton
w/15kw

Fuse A - 60A Time Delay
 Fuse B - 60A Standard
 Fuse C - 30A Standard

Factory Wiring ———
 Field Wiring - - - -

- ① Reroute jumper from X2-W2 to X2-E.
- ② Set heat anticipators at .40A for W1 and .80A for W2. See Note 3.
- ③ Remove this jumper if 3rd stage heat outdoor thermostat is used and set W2 heat anticipator to .40A. See Typical Installation Instructions.



Fuse A - 60A Time Delay
 Fuse B - 60A Standard
 Fuse C - 30A Standard

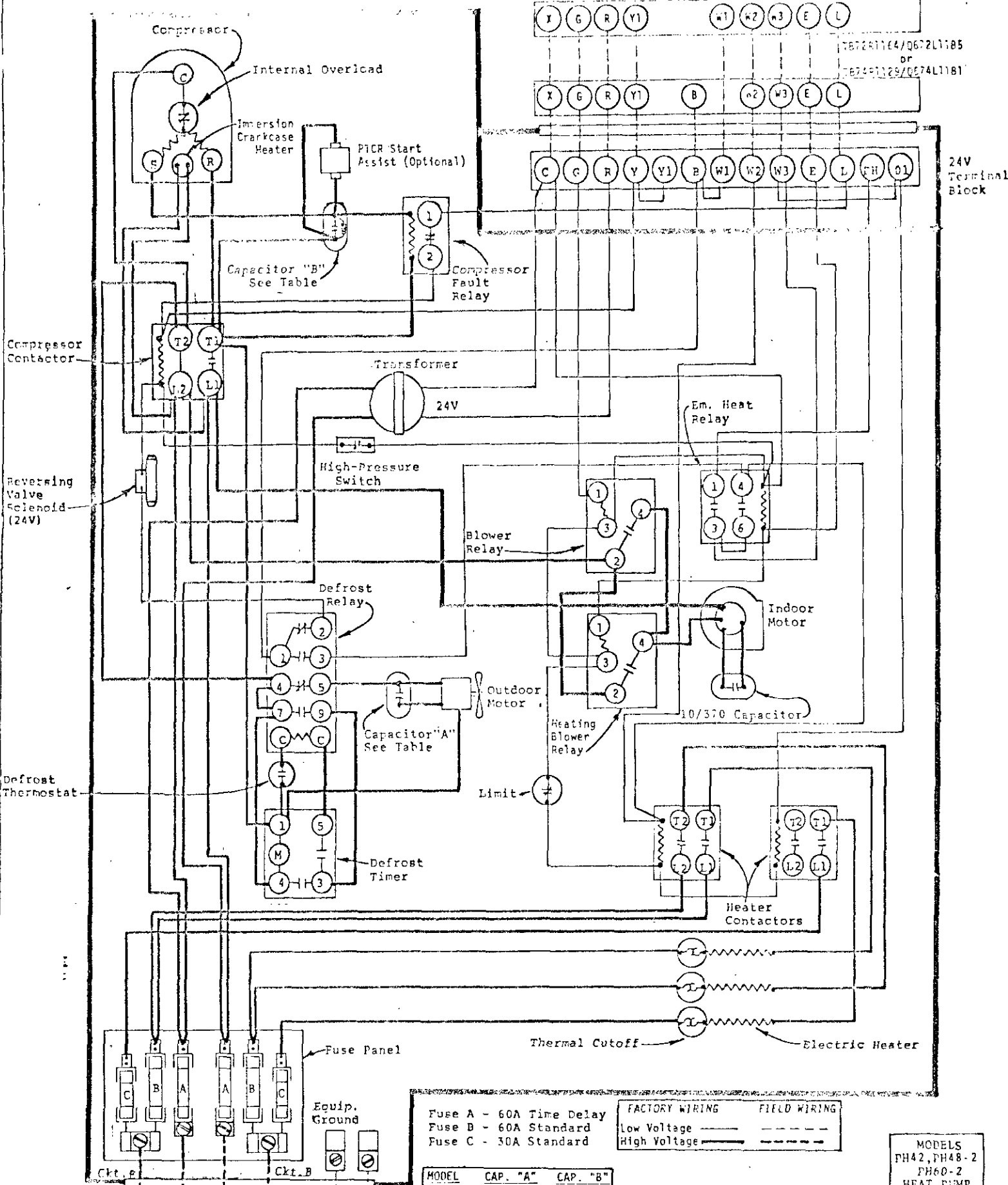
Factory Wiring ———
 Field Wiring - - - - -

NOTE A:
 4 Ton Capacitor - 15/370V
 5 Ton Capacitor - 7 1/2/370V

USE COPPER OR ALUMINUM WIRE

- 1 Reroute jumper from X2-W2 to X2-E.
- 2 Set heat anticipators at .40A for W1 and .80A for W2. See Note 3.
- 3 Remove this jumper if 3rd stage heat outdoor thermostat is used and set W2 heat anticipator to .40A. See Typical Installation Instructions.

Single Package Heat Pump
 4 and 5 Ton
 w/15kw



24V Terminal Block

Compressor Contactor

Reversing Valve Solenoid (24V)

Defrost Thermostat

USE COPPER OR ALUMINUM WIRE

230/208-60-1

Fuse A - 60A Time Delay
 Fuse B - 60A Standard
 Fuse C - 30A Standard

	FACTORY WIRING	FIELD WIRING
Low Voltage	—————	- - - - -
High Voltage	—————	—————

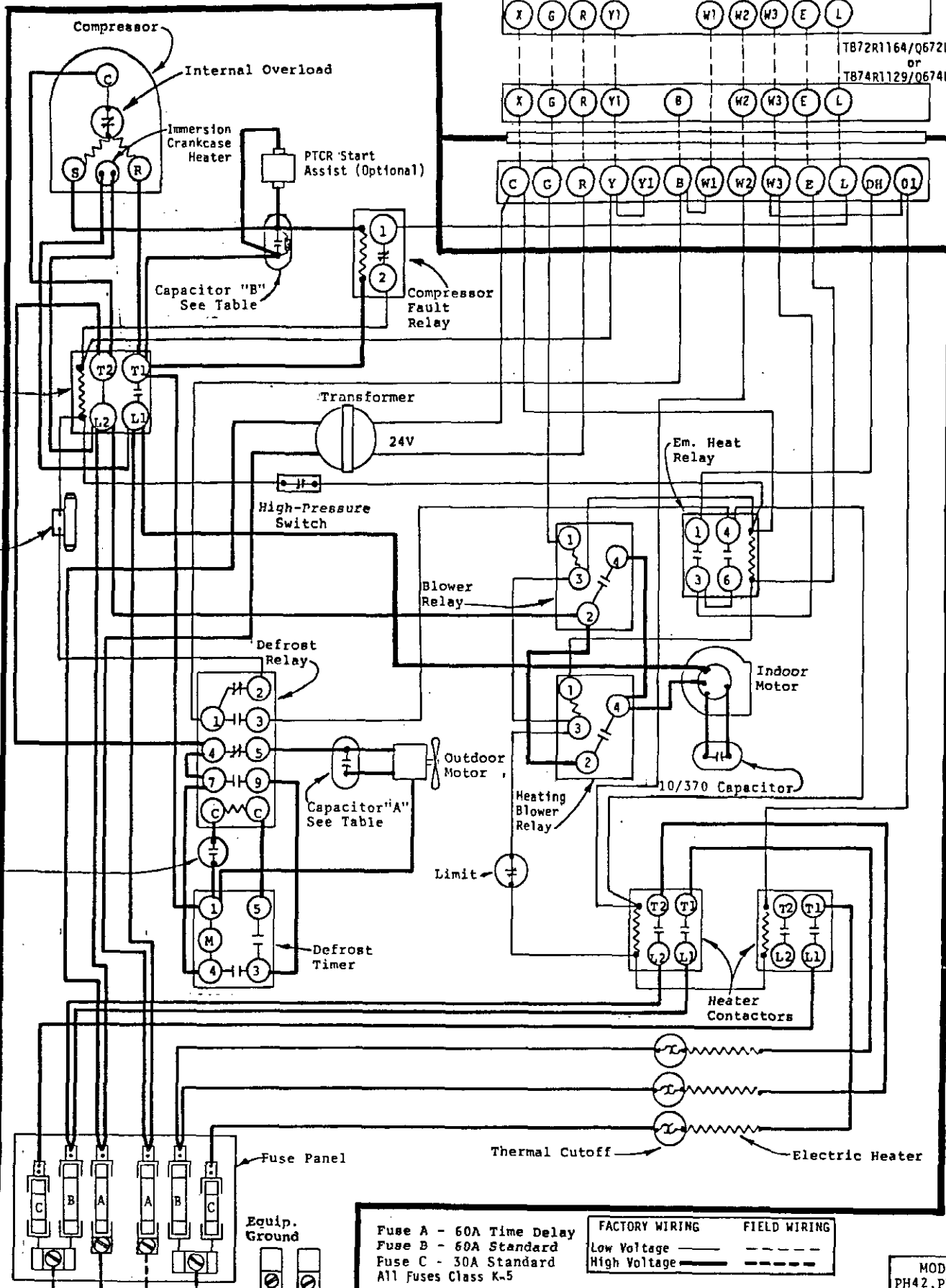
MODEL	CAP. "A"	CAP. "B"
PH42	15/370	40/440
PH48-2	15/370	70/370
PH60-2	7.5/370	70/370

MODELS
 PH42, PH48-2
 PH60-2
 HEAT PUMP
 15 Kw

TB72N1036/Q672F1299
or
TB74N1024/Q674F1261

TB72R1164/Q672L1185
or
TB74R1129/Q674L1181

24V
Terminal
Block



USE COPPER OR ALUMINUM WIRE

230/208-60-1

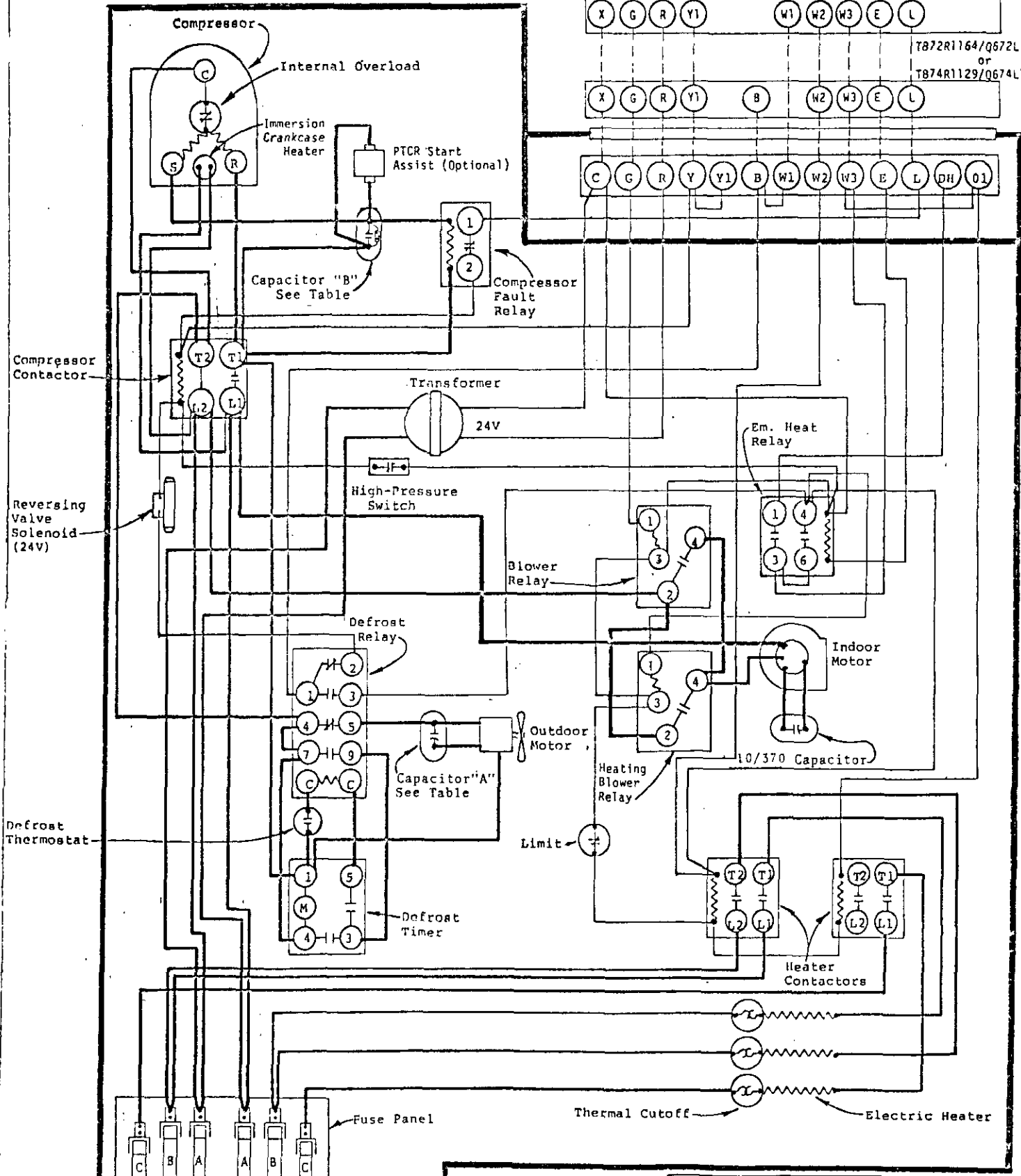
Fuse A - 60A Time Delay
Fuse B - 60A Standard
Fuse C - 30A Standard
All Fuses Class K-5

FACTORY WIRING		FIELD WIRING	
Low Voltage	—	---	---
High Voltage	—	---	---

MODEL	CAP. "A"	CAP. "B"
PH42	15/370	40/440
PH48-2	15/370	70/370
PH60-2	7.5/370	70/370

MODELS
PH42, PH48-2
PH60-2
HEAT PUMP
15 Kw

24V Terminal Block



Fuse A - 60A Time Delay
 Fuse B - 60A Standard
 Fuse C - 30A Standard
 All Fuses Class K-5

	FACTORY WIRING	FIELD WIRING
Low Voltage	—	- - - -
High Voltage	- - - -	—

MODEL	CAP. "A"	CAP. "B"
PH42	15/370	40/440
PH48-2	15/370	70/370
PH60-2	7.5/370	70/370

MODELS
 PH42, PH48-2
 PH60-2
 HEAT PUMP
 15 kW

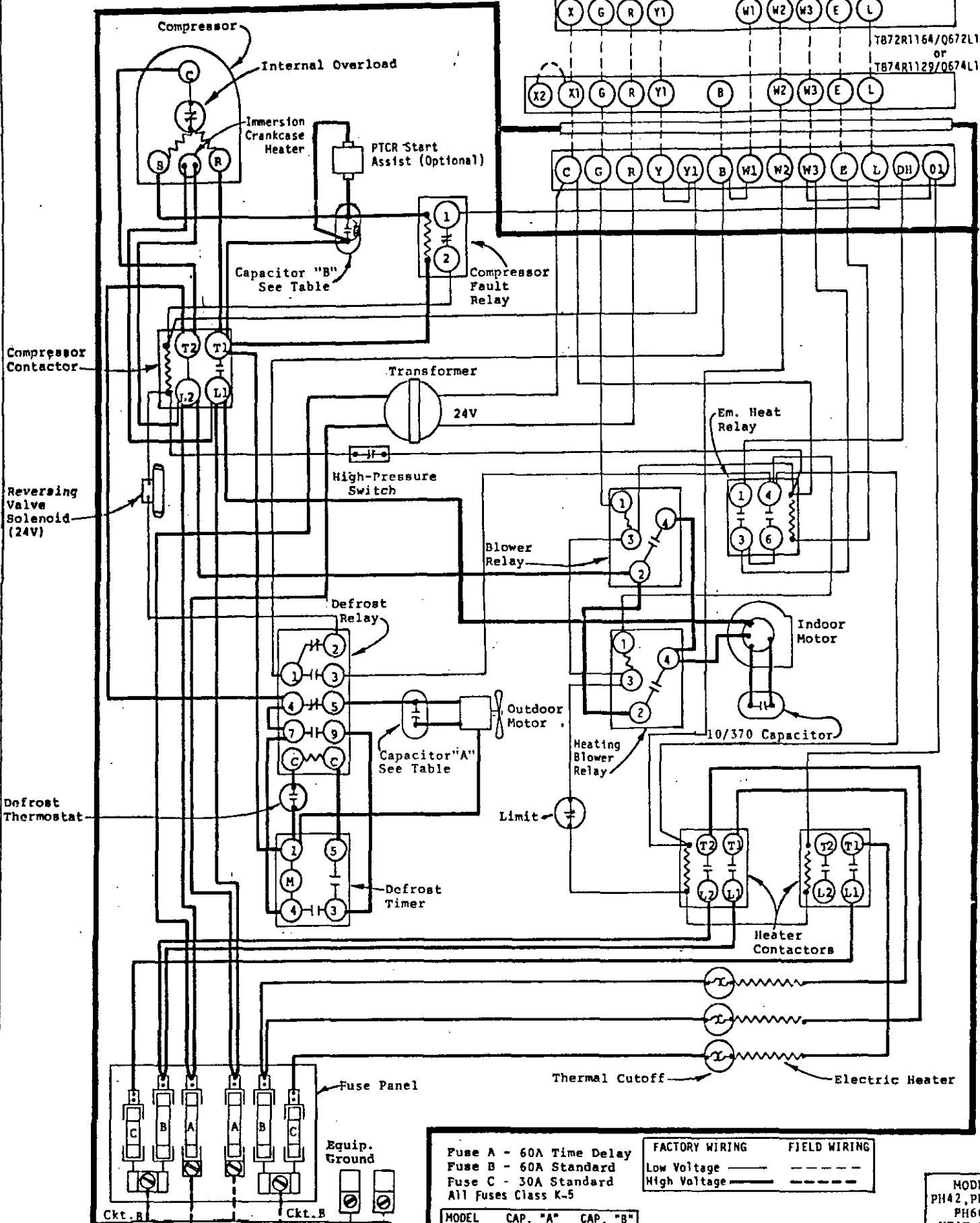
USE COPPER OR ALUMINUM WIRE

230/208-60-1

TB72N1036/Q672F1299
or
TB74N1024/Q674F1261

TB72R1164/Q672L1185
or
TB74R1129/Q674L1181

24V
Terminal
Block



USE COPPER OR ALUMINUM WIRE

230/208-60-1

Fuse A - 60A Time Delay
Fuse B - 60A Standard
Fuse C - 30A Standard
All Fuses Class K-5

	FACTORY WIRING	FIELD WIRING
Low Voltage	_____	-----
High Voltage	_____	-----

MODEL	CAP. "A"	CAP. "B"
PH42	15/370	40/440
PH48-2	15/370	70/370
PH60-2	7.5/370	70/370

MODELS
PH42, PH48-2
PH60-2
HEAT PUMP
15 Kw

T672N1036/Q672F1299

or

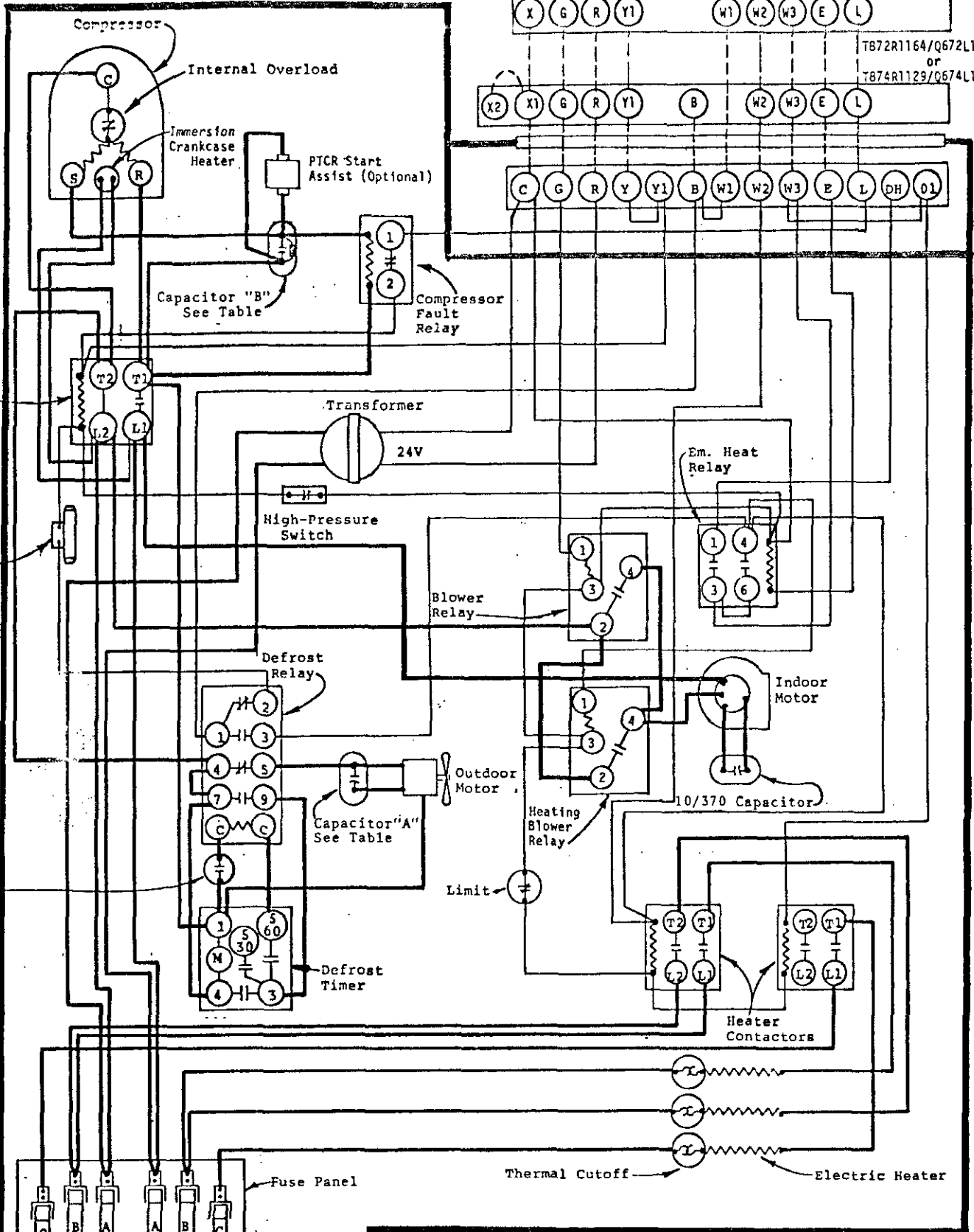
T874N1024/Q674F1261

TB72R1164/Q672L1185

or

T874R1129/Q674L1181'

24V
Terminal
Block



Compressor Contactor

Reversing Valve Solenoid (24V)

Defrost Thermostat

Fuse Panel

Fuse A - 60A Time Delay
 Fuse B - 60A Standard
 Fuse C - 30A Standard
 All Fuses Class K-5

FACTORY WIRING		FIELD WIRING	
Low Voltage	—————	-----	-----
High Voltage	—————	-----	-----

MODEL	CAP. "A"	CAP. "B"
PH42	15/370	40/440
PH48-2	15/370	70/370
PH60-2	7.5/370	70/370

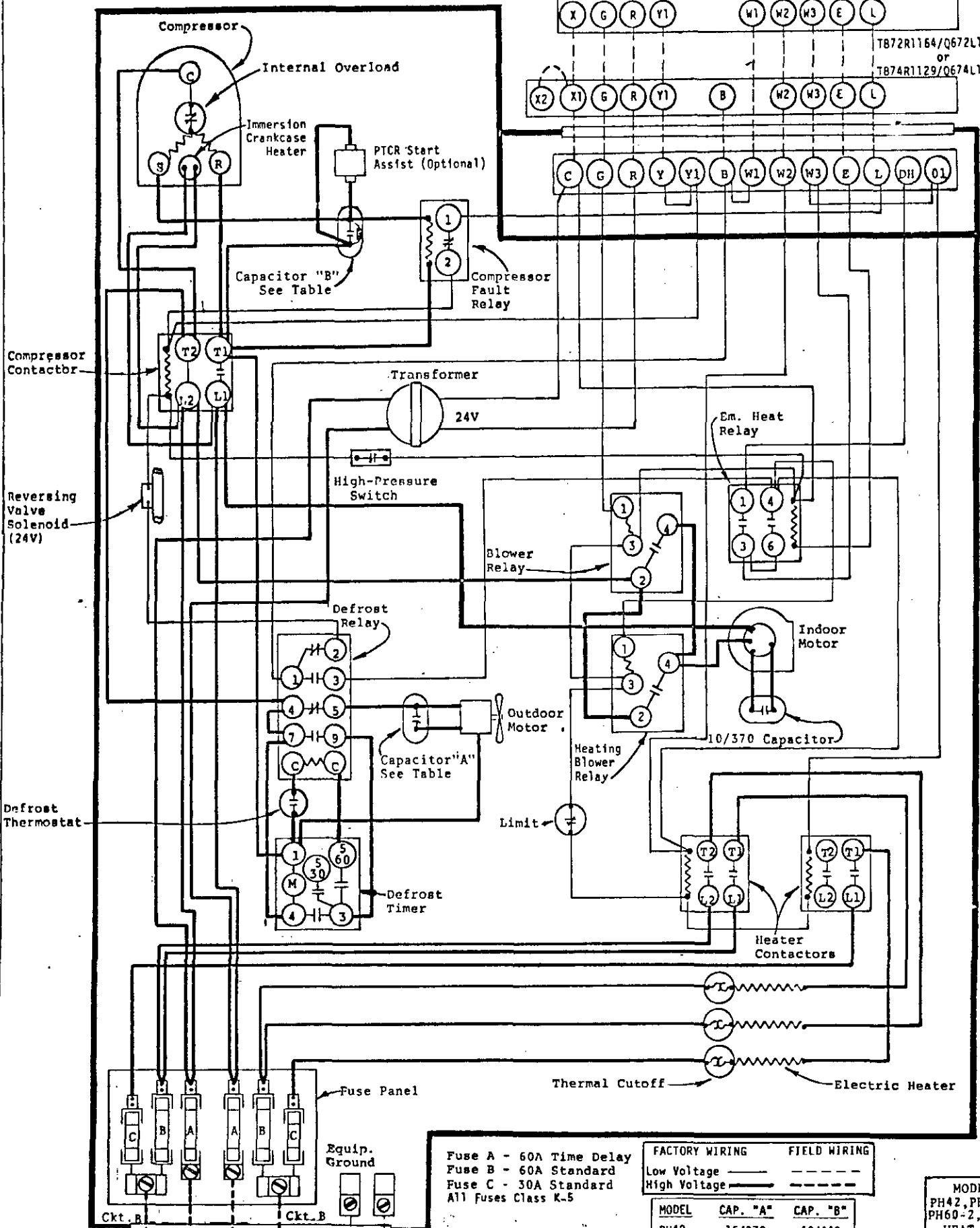
MODELS
 PH42, PH48-2
 PH60-2
 HEAT PUMP
 15 Kw

USE COPPER OR ALUMINUM WIRE

230/208-60-1

14006-140I

24V
Terminal
Block



USE COPPER OR ALUMINUM WIRE

230/208-60-1

Fuse A - 60A Time Delay
 Fuse B - 60A Standard
 Fuse C - 30A Standard
 All Fuses Class K-5

FACTORY WIRING		FIELD WIRING	
Low Voltage		High Voltage	
MODEL	CAP. "A"	CAP. "B"	
PH42	15/370	40/440	
PH48-2	15/370	70/370	
PH60-2	7.5/370	70/370	
PH60-4	7.5/370	90/370	

MODELS
 PH42, PH48-2
 PH60-2, PH60-4
 HEAT PUMP
 15 Kw