

- ⚠ 1 Reroute jumper from X2-W2 to X2-E.
- ⚠ 2 Set heat anticipators at .40A.

USE COPPER OR ALUMINUM WIRE

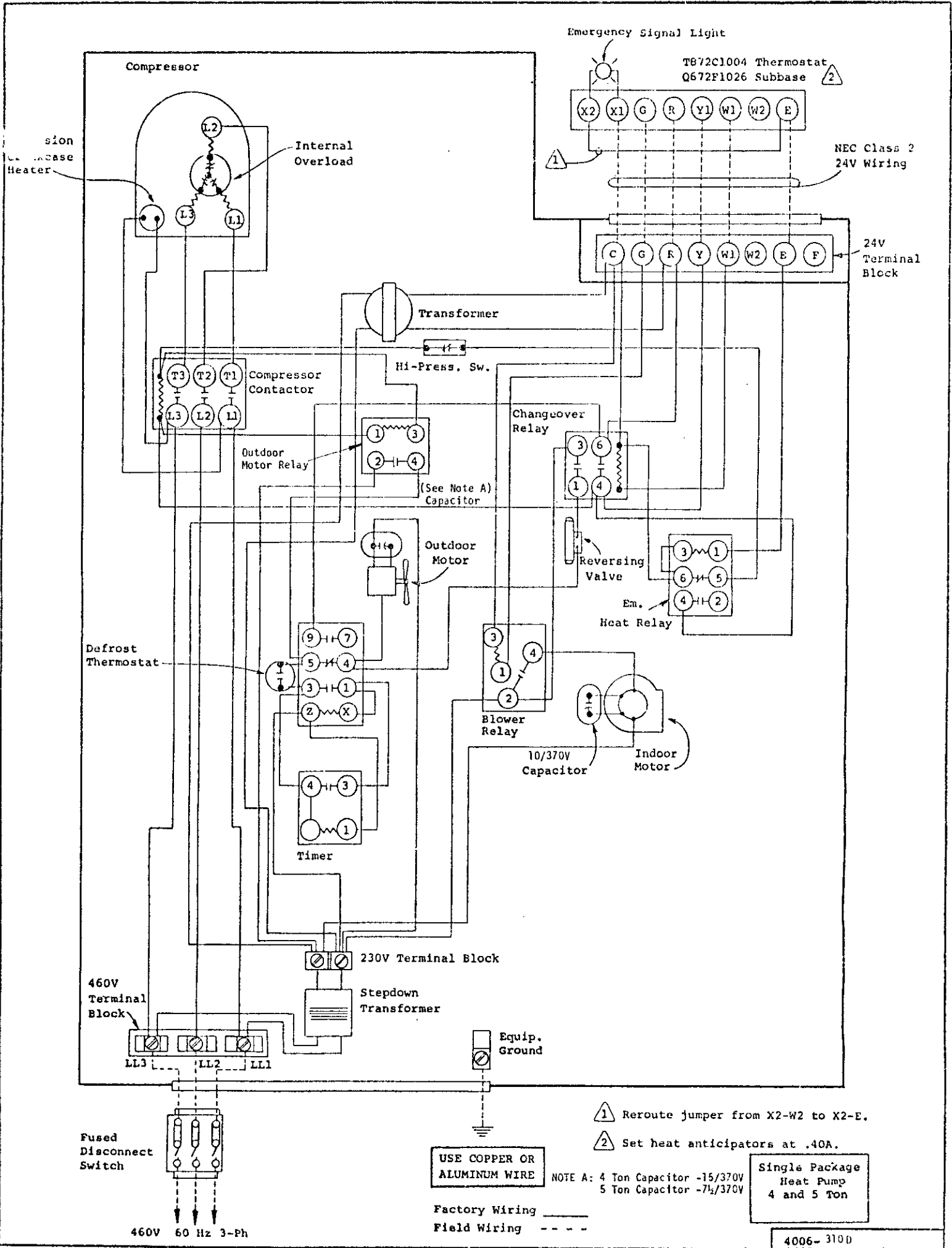
Single Package Heat Pump
4 and 5 Ton

Factory Wiring ———
Field Wiring - - - -

4006-310C

Fused Disconnect Switch

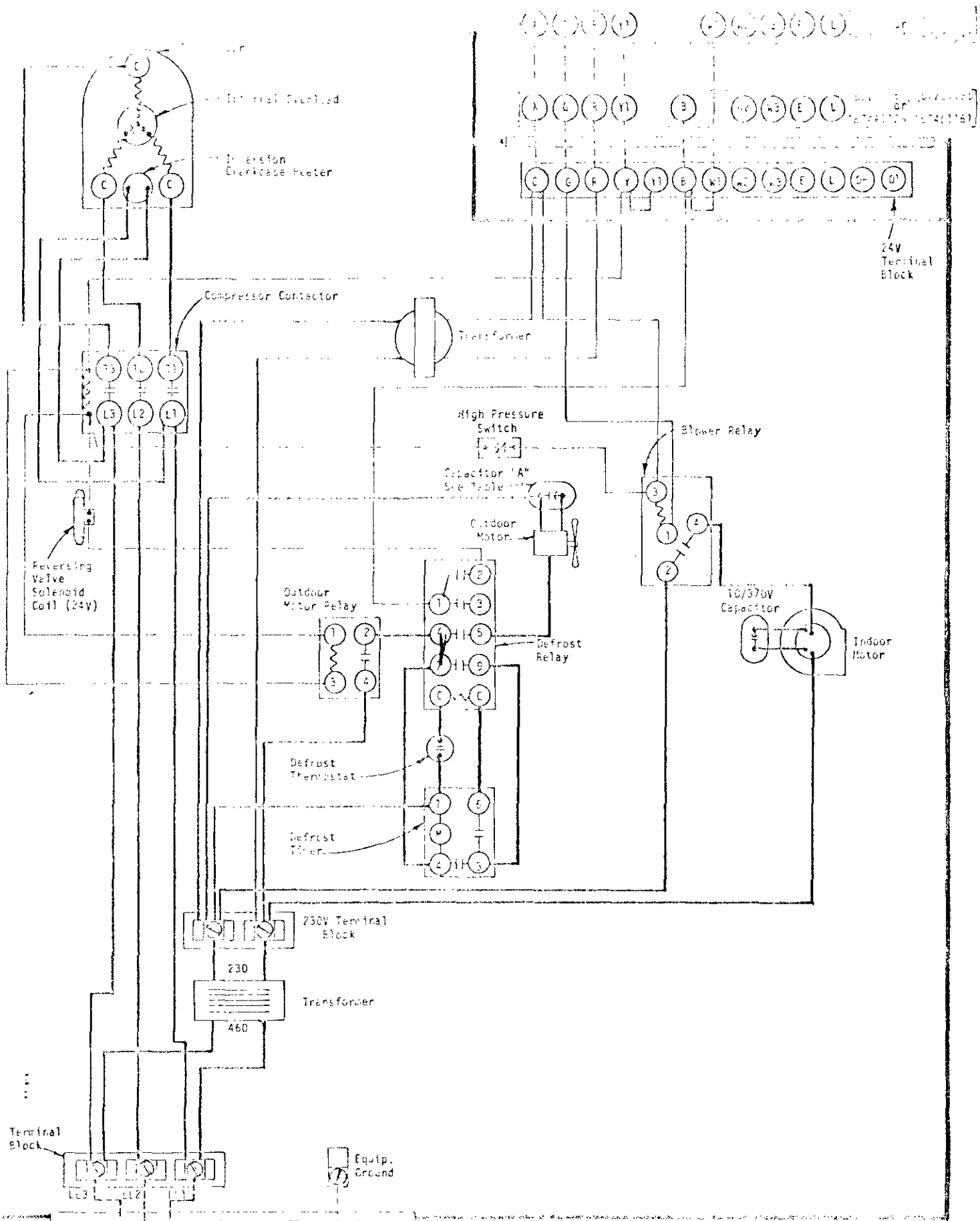
460V 60 Hz 3-Ph



① Reroute jumper from X2-W2 to X2-E.

② Set heat anticipators at .40A.

Single Package Heat Pump
 4 and 5 Ton



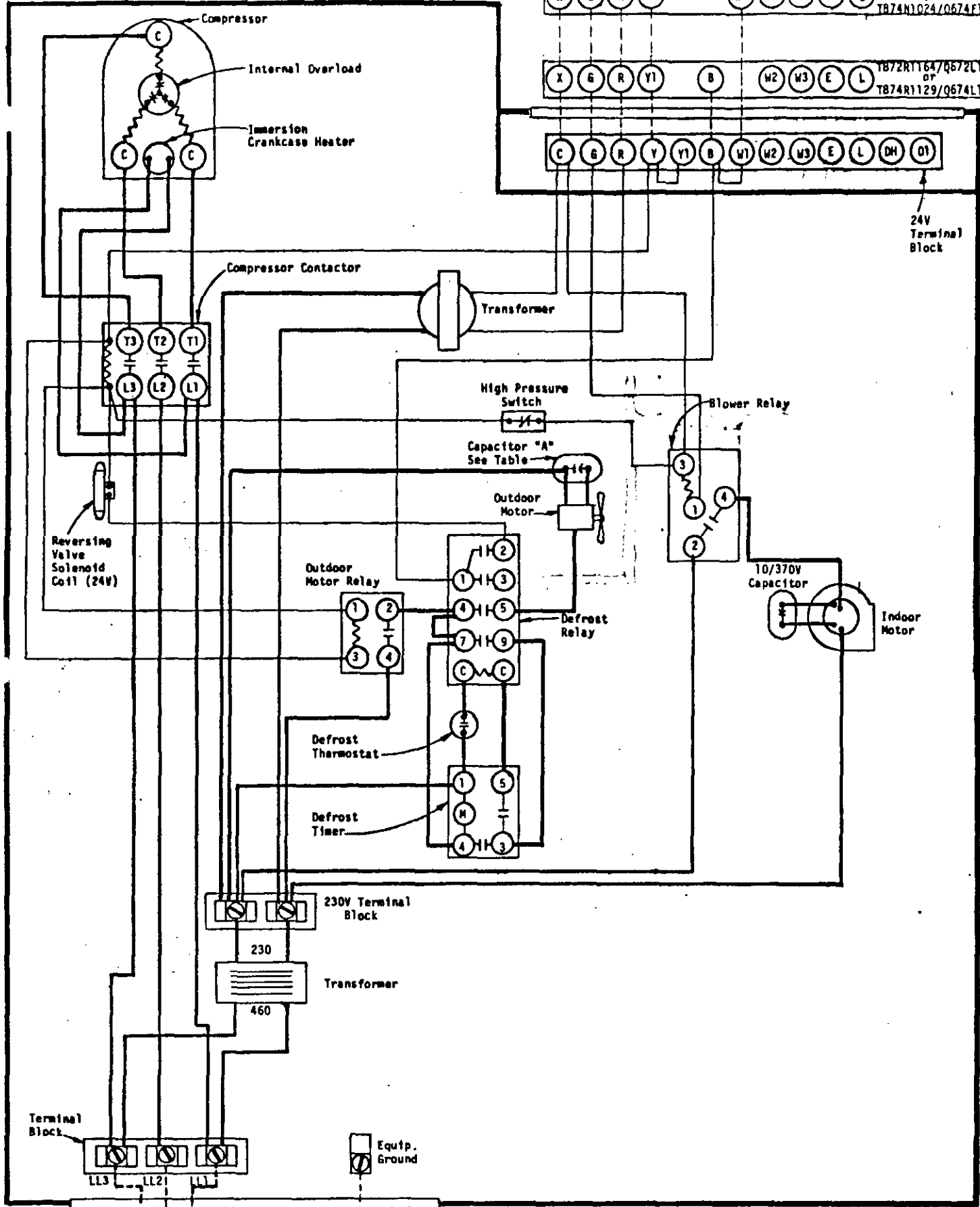
MODEL CAP. "A"
 PH42-3, PH48-2-3 15/370
 PH60-2-3 7.5/370

MODELS PH42-3
 PH48-2-3, PH60-2-3
 HEAT PUMP
 0 Kw

FACTORY WIRING FIELD WIRING
 Low Voltage -----
 High Voltage -----

X G R Y1 W1 W2 W3 E L TB72N1036/Q672F1299
 or TB74N1024/Q674F1261

X G R Y1 B W2 W3 E L TB72R1164/Q672L1185
 or TB74R1129/Q674L1181



24V Terminal Block

230V Terminal Block

230

460

Transformer

Terminal Block

LL3 LL2 LL1

Equip. Ground

Fused Disconnect Switch

460-60-3

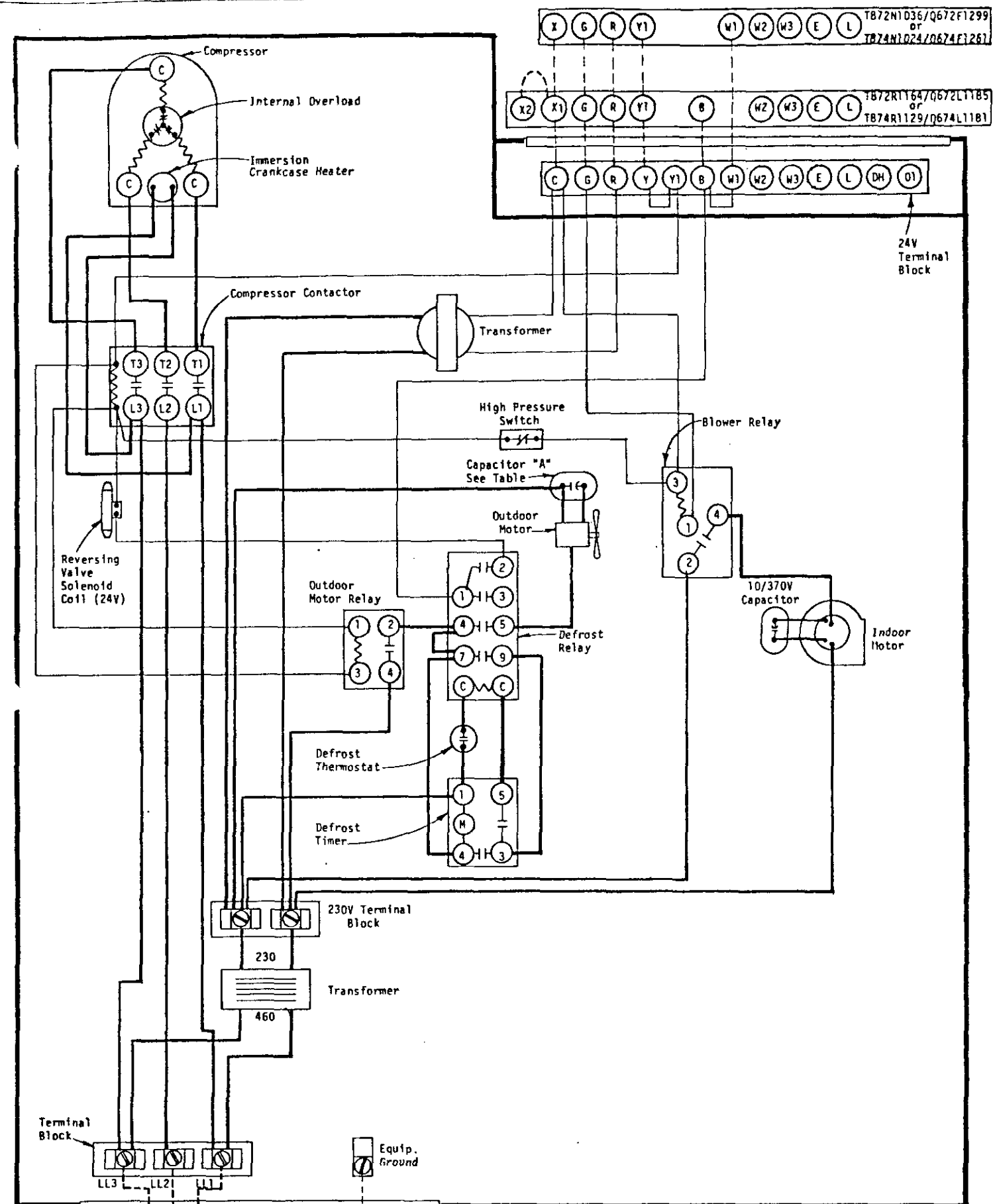
USE COPPER OR ALUMINUM WIRE

| MODEL | CAP. "A" |
|------------------|----------|
| PH42-3, PH48-2-3 | 15/370 |
| PH60-2-3 | 7.5/370 |

| FACTORY WIRING | FIELD WIRING |
|----------------|--------------|
| Low Voltage | ----- |
| High Voltage | ----- |

MODELS PH42-3
 PH48-2-3, PH60-2-3
 HEAT PUMP
 0 Kw

4006-310F



X G R Y1 W1 W2 W3 E L TB72N1036/Q672F1299 or TB74N1024/Q674F1261

X2 X1 G R Y1 B W2 W3 E L TB72RT164/Q672L1185 or TB74R1129/Q674L1181

C G R Y1 Y1 B W1 W2 W3 E L DH O1

24V Terminal Block

Compressor Contactor

Transformer

High Pressure Switch

Blower Relay

Capacitor "A" See Table

Outdoor Motor

Outdoor Motor Relay

Defrost Relay

Defrost Thermostat

Defrost Timer

10/370V Capacitor

Indoor Motor

230V Terminal Block

230

Transformer

460

Terminal Block

LL3 LL2 LL1

Equip. Ground

USE COPPER OR ALUMINUM WIRE

| | |
|------------------|----------|
| MODEL | CAP. "A" |
| PH42-3, PH48-2-3 | 15/370 |
| PH60-2-3 | 7.5/370 |

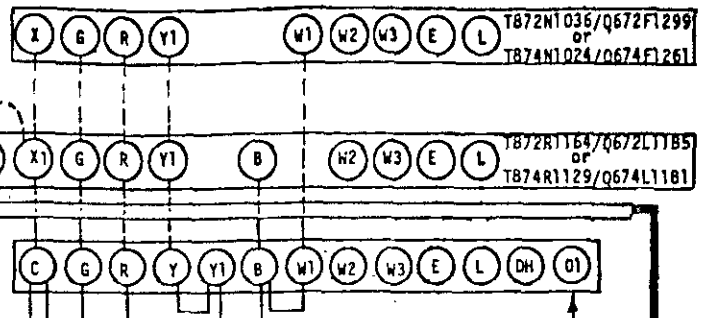
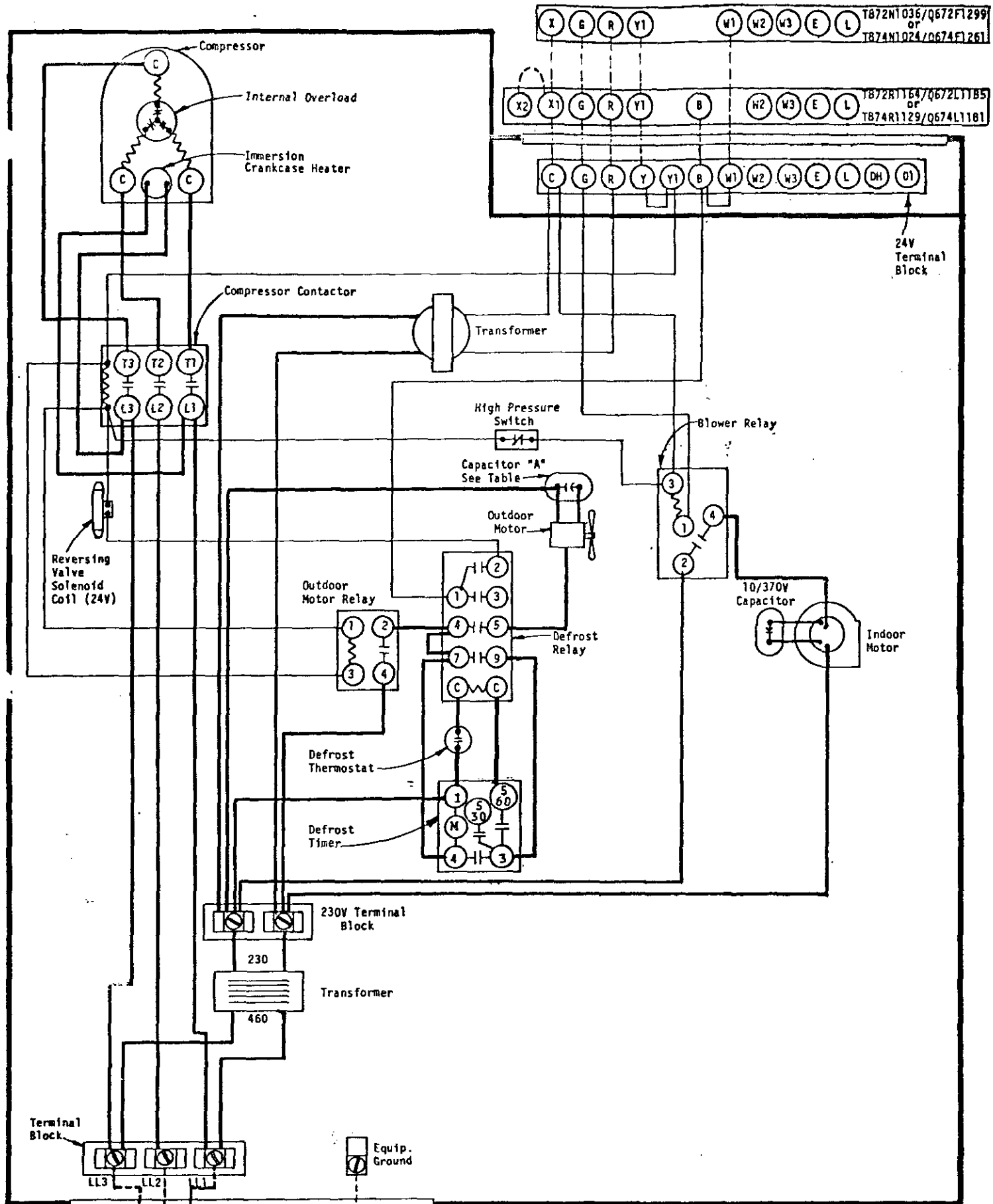
MODELS PH42-3
PH48-2-3, PH60-2-3
HEAT PUMP
0 Kw

| | |
|----------------|--------------|
| FACTORY WIRING | FIELD WIRING |
| Low Voltage | ----- |
| High Voltage | ----- |

Fused Disconnect Switch

460-60-3

4006-3106

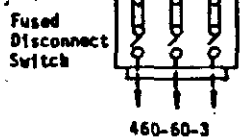


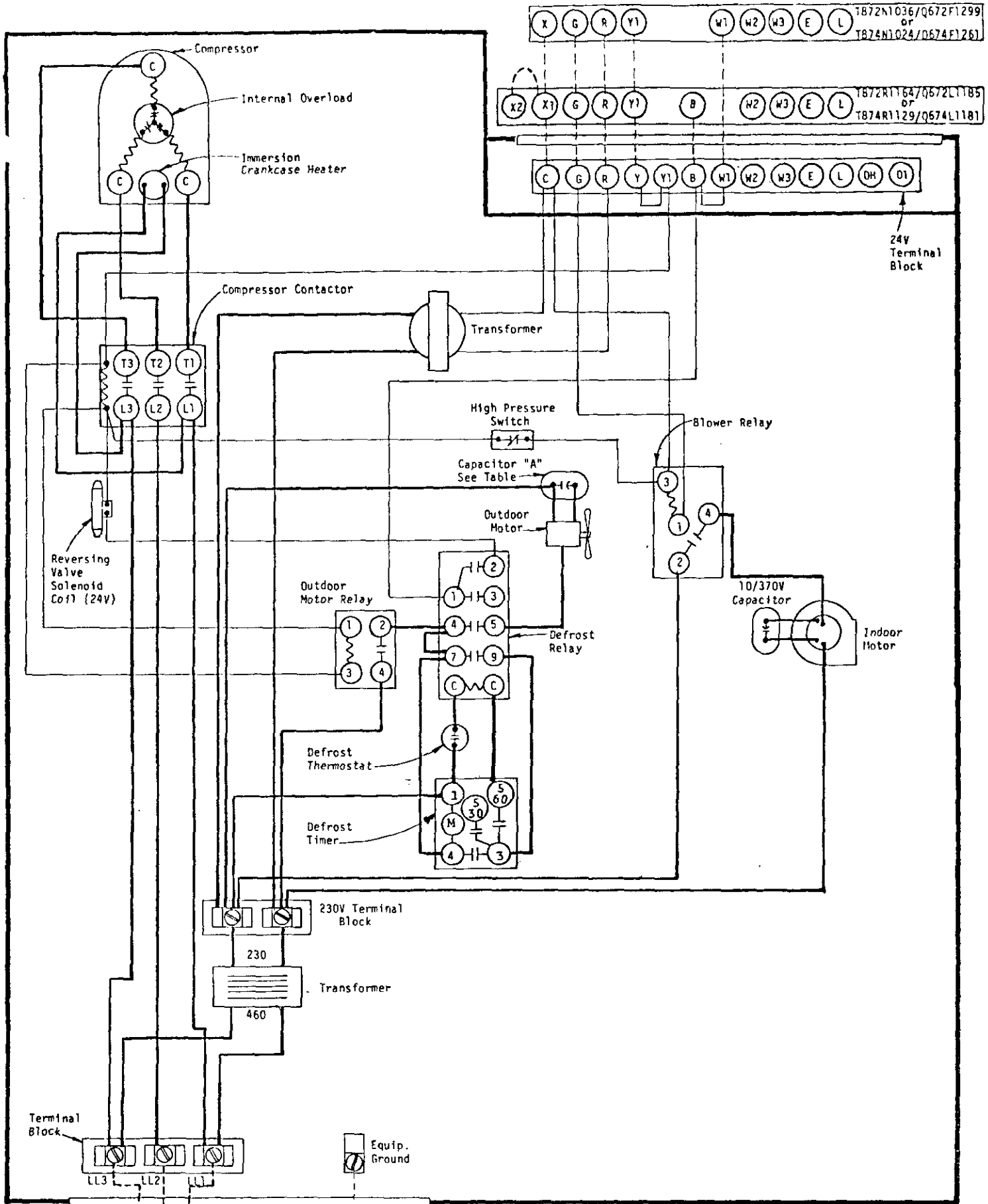
USE COPPER OR ALUMINUM WIRE

| MODEL | CAP. "A" |
|------------------|----------|
| PH42-3, PH48-2-3 | 15/370 |
| PH60-2-3 | 7.5/370 |

MODELS PH42-3
PH48-2-3, PH60-2-3
HEAT PUMP
0 Kw

| FACTORY WIRING | FIELD WIRING |
|----------------|--------------|
| Low Voltage | ----- |
| High Voltage | ----- |





X G R Y1 W1 W2 W3 E L 1B72N1036/Q672F1299
or
1B74N1024/Q674F1261

X2 X1 G R Y1 B W2 W3 E L 1B72R1164/Q672L1185
or
1B74R1129/Q674L1181

C G R Y Y1 B W1 W2 W3 E L DH D1

24V
Terminal
Block

230V Terminal
Block

230

460

Transformer

Terminal
Block

LL3 LL2 LL1

Equip.
Ground

Fused
Disconnect
Switch

460-60-3

USE COPPER OR
ALUMINUM WIRE

| | |
|------------------|----------|
| MODEL | CAP. "A" |
| PH42-3, PH48-2-3 | 15/370 |
| PH60-4-3 | 7.5/370 |

| | |
|----------------|--------------|
| FACTORY WIRING | FIELD WIRING |
| Low Voltage | ----- |
| High Voltage | ----- |

MODELS PH42-3
PH48-2-3, PH60-4-3
HEAT PUMP
D Kw