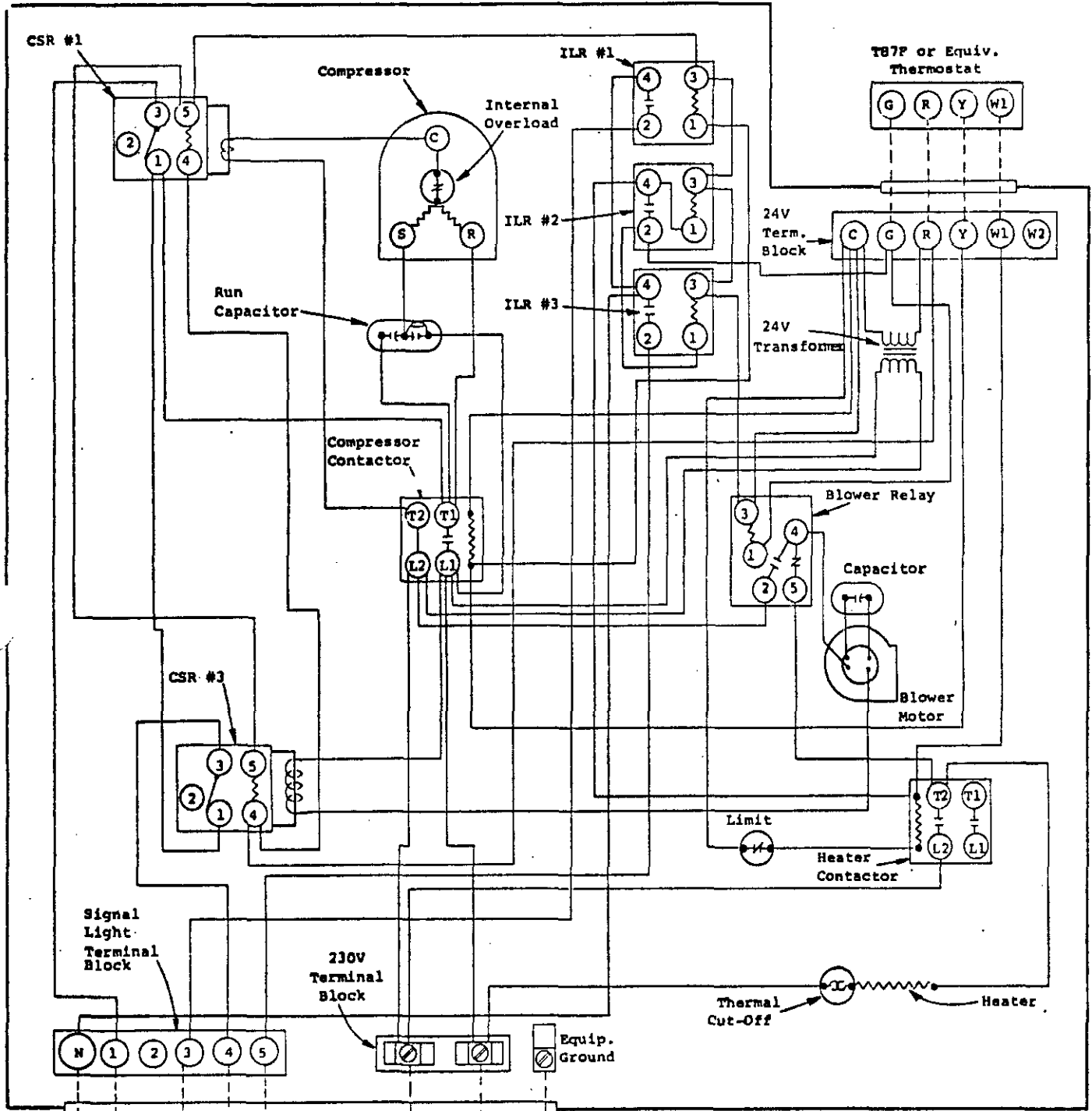


CURRENT SENSING RELAYS

C.S.R. #1 - Compressor

C.S.R. #3 - Indoor Motor



Neutral (Earth)

Indoor Motor Signal Light 115 VAC

Compressor Motor Signal Light 115 VAC

240/220-50-1

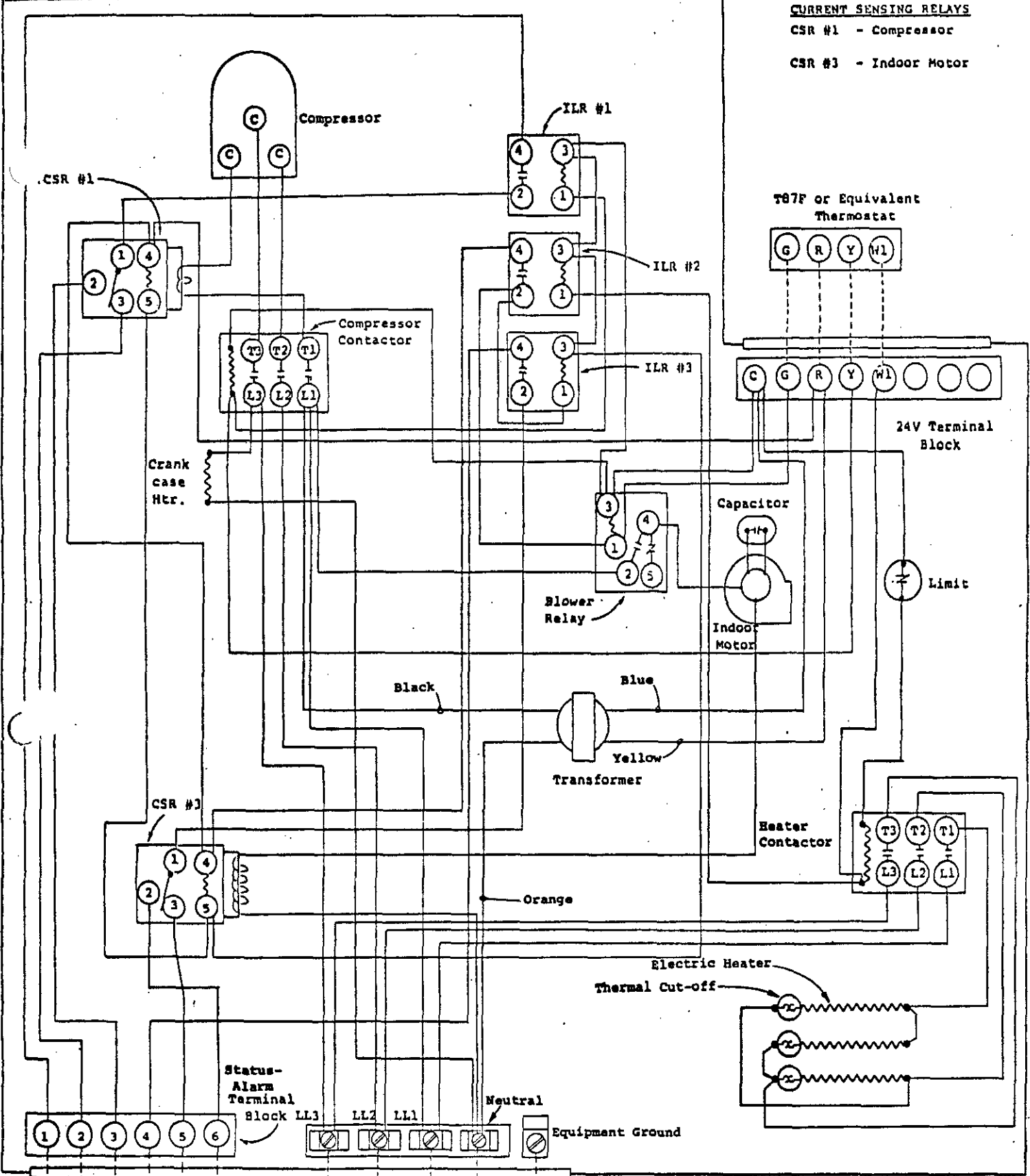
USE COPPER OR ALUMINUM WIRE

Model 18WA1 w/4kw

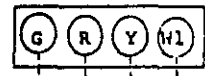
CURRENT SENSING RELAYS

CSR #1 - Compressor

CSR #3 - Indoor Motor



T87F or Equivalent Thermostat



24V Terminal Block

Capacitor

Limit

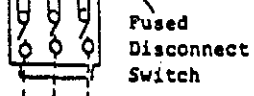
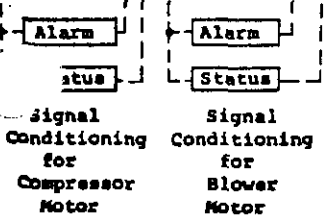
Yellow Transformer

Heater Contactor

Status-Alarm Terminal Block LL3 LL2 LL1

Neutral

Equipment Ground

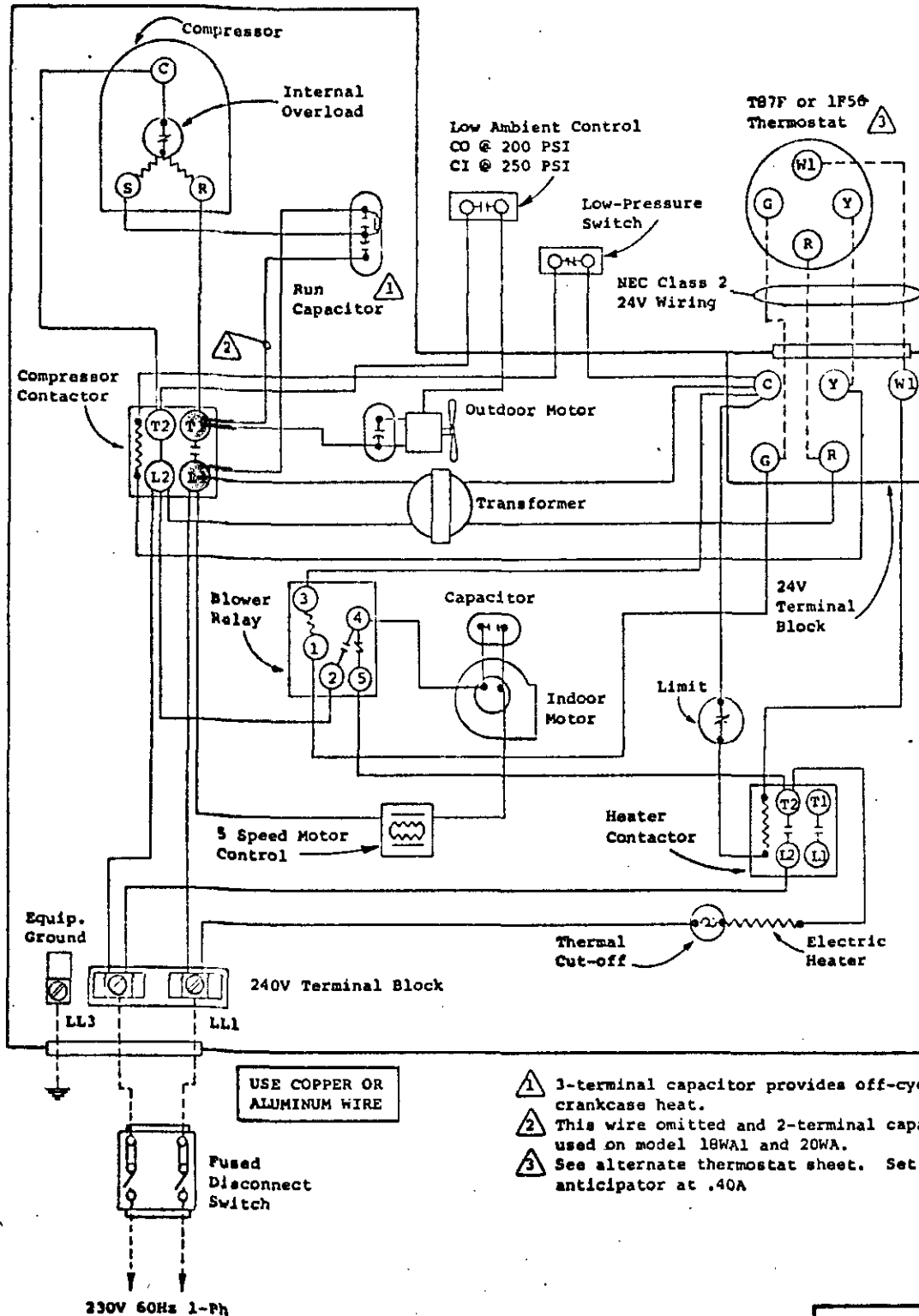


USE COPPER OR ALUMINUM WIRE

Factory Wiring _____
Field Wiring - - - - -

MODEL 24WA-BL19
w/4.5Kv

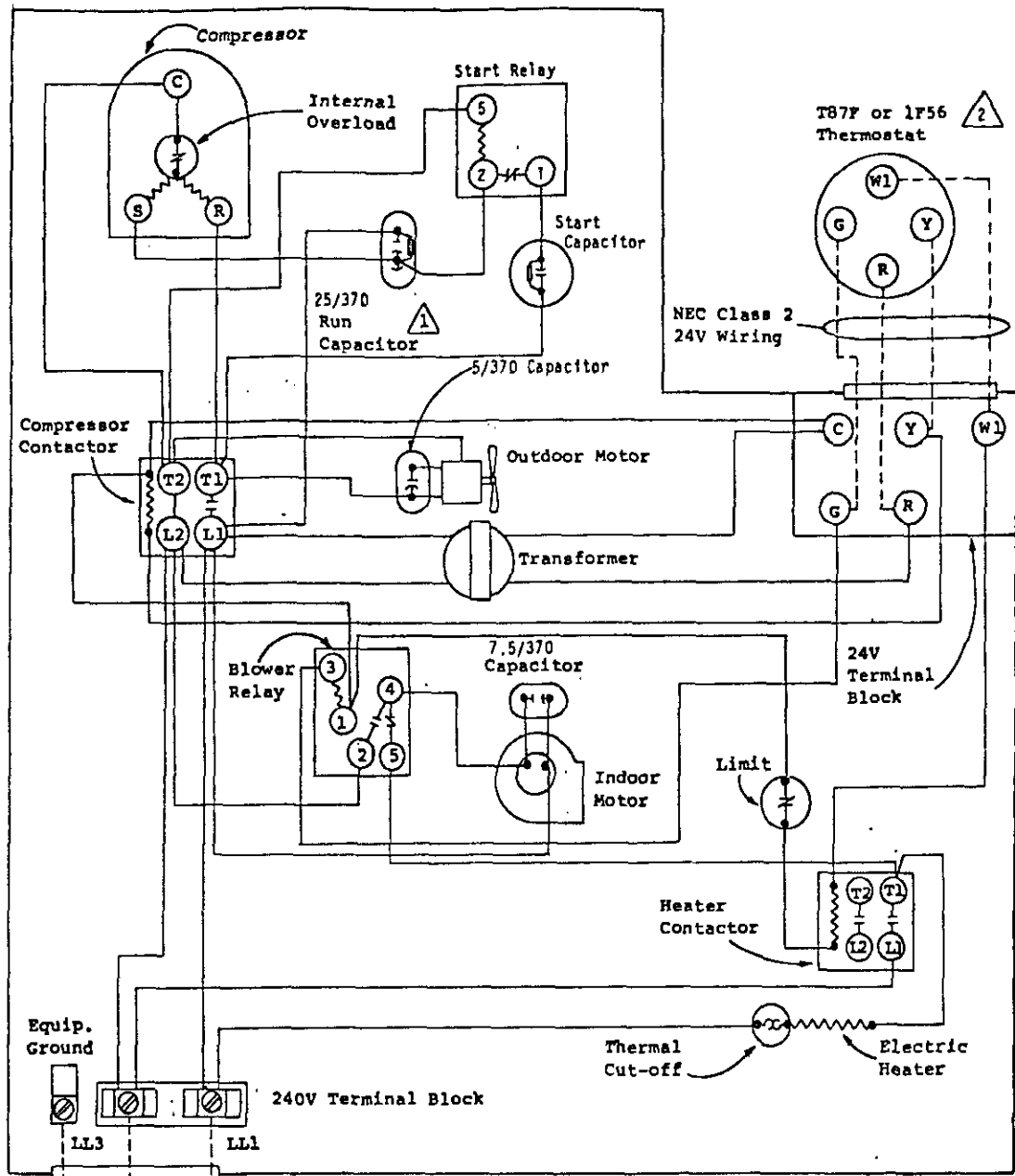
415/380-50-3



- ⚠ 1-terminal capacitor provides off-cycle crankcase heat.
- ⚠ This wire omitted and 2-terminal capacitor used on model 18WA1 and 20WA.
- ⚠ See alternate thermostat sheet. Set heat anticipator at .40A

Models
18WA1, 20WA, 24WA1
w/4 or 5Kw

ory Wiring ———
ield Wiring - - - -



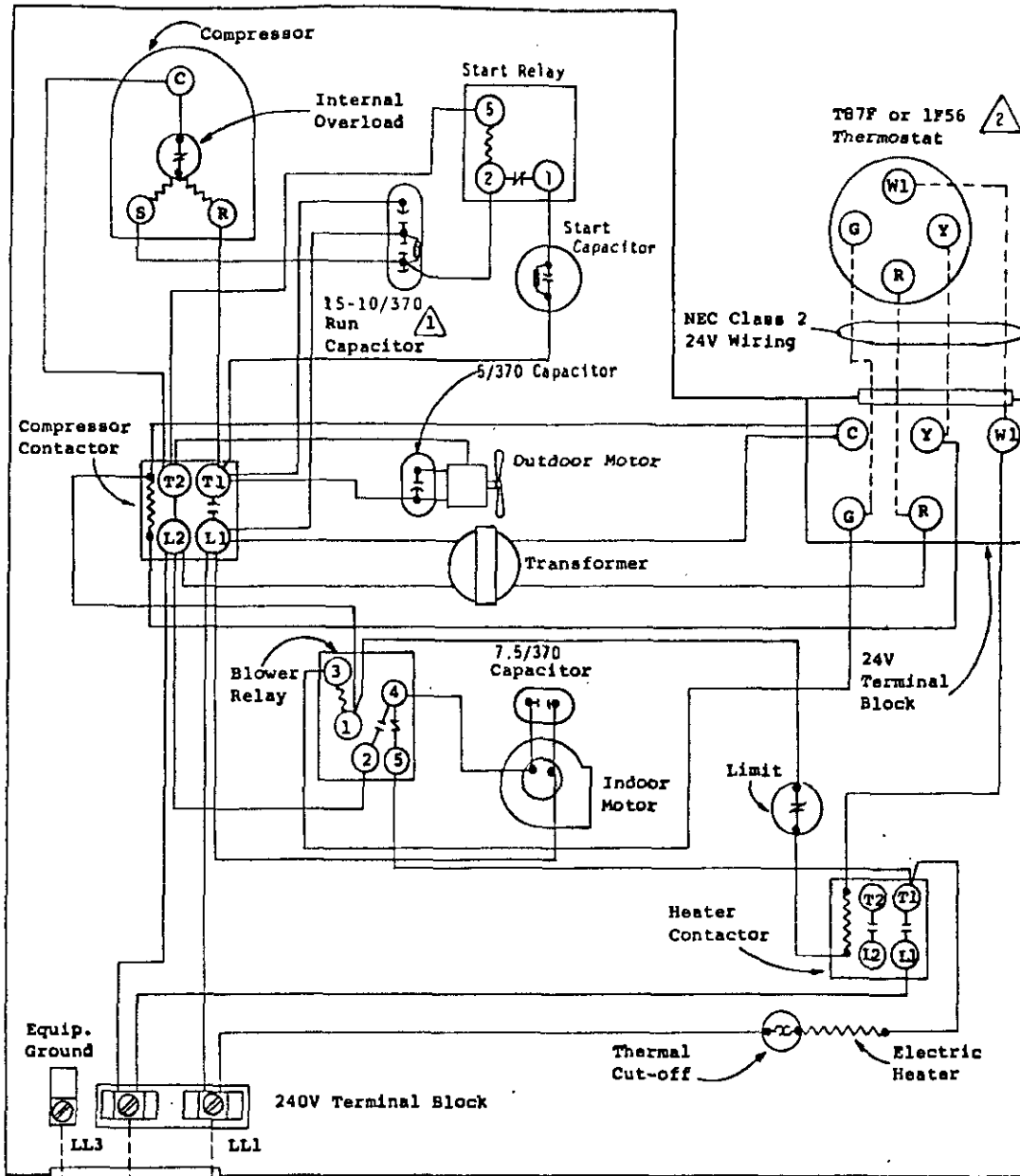
USE COPPER OR ALUMINUM WIRE

- 1 Capacitor provides off-cycle crankcase heat.
- 2 See alternate thermostat sheet. Set heat anticipator at .40A.

230/208-60-1

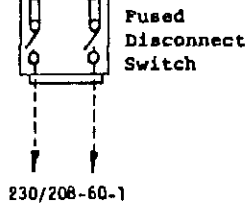
MODELS
20WA1 & 24WA2
w/4 or 5Kw

Factory Wiring _____
Field Wiring - - - - -



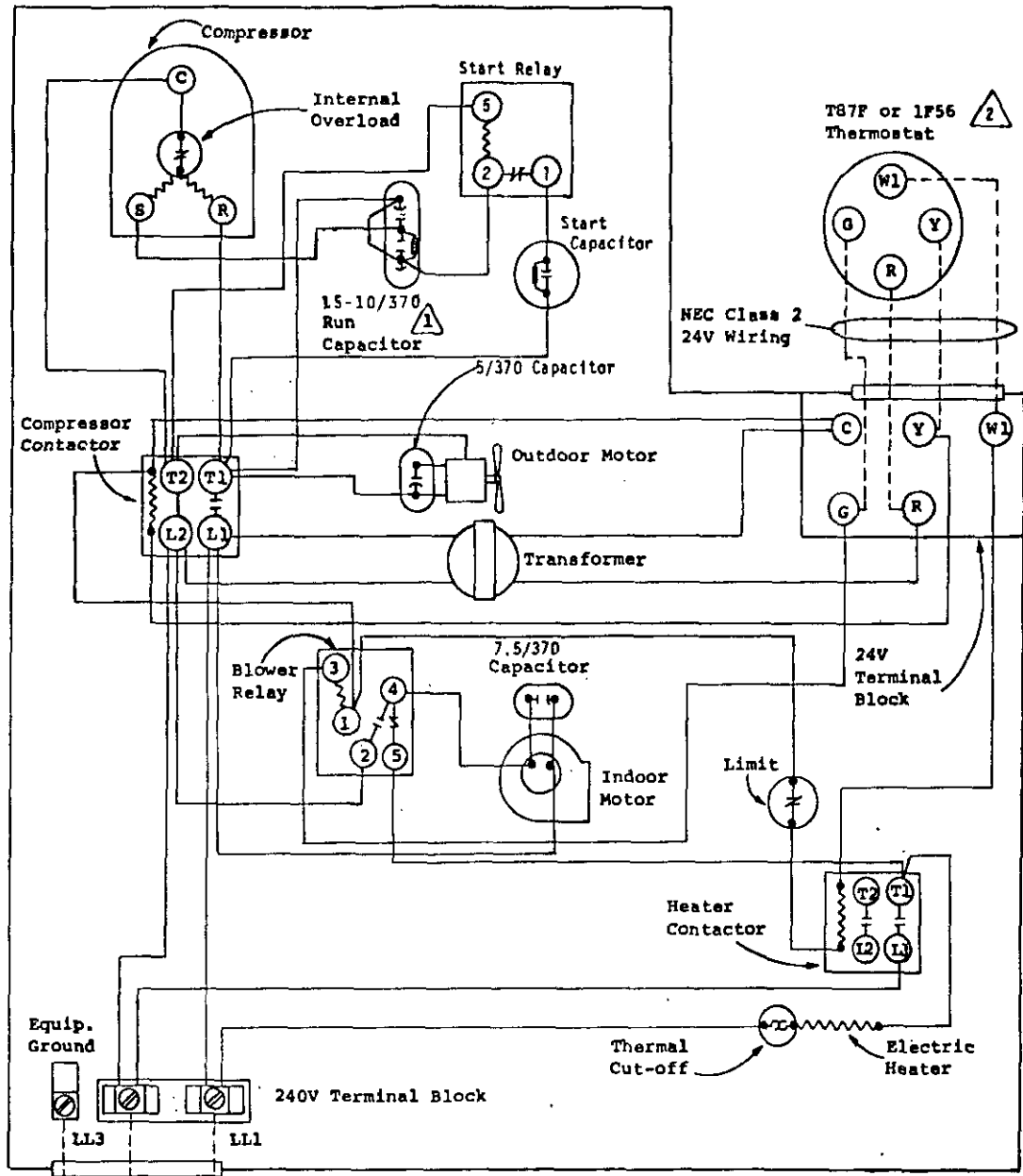
USE COPPER OR ALUMINUM WIRE

- 1 Capacitor provides off-cycle crankcase heat.
- 2 See alternate thermostat sheet. Set heat anticipator at .40A.



MODELS
20WA1 & 24WA2
w/4 or 5kw

Factory Wiring ———
Field Wiring - - - - -



USE COPPER OR ALUMINUM WIRE

- 1 Capacitor provides off-cycle crankcase heat.
- 2 See alternate thermostat sheet. Set heat anticipator at .40A.

Fused Disconnect Switch

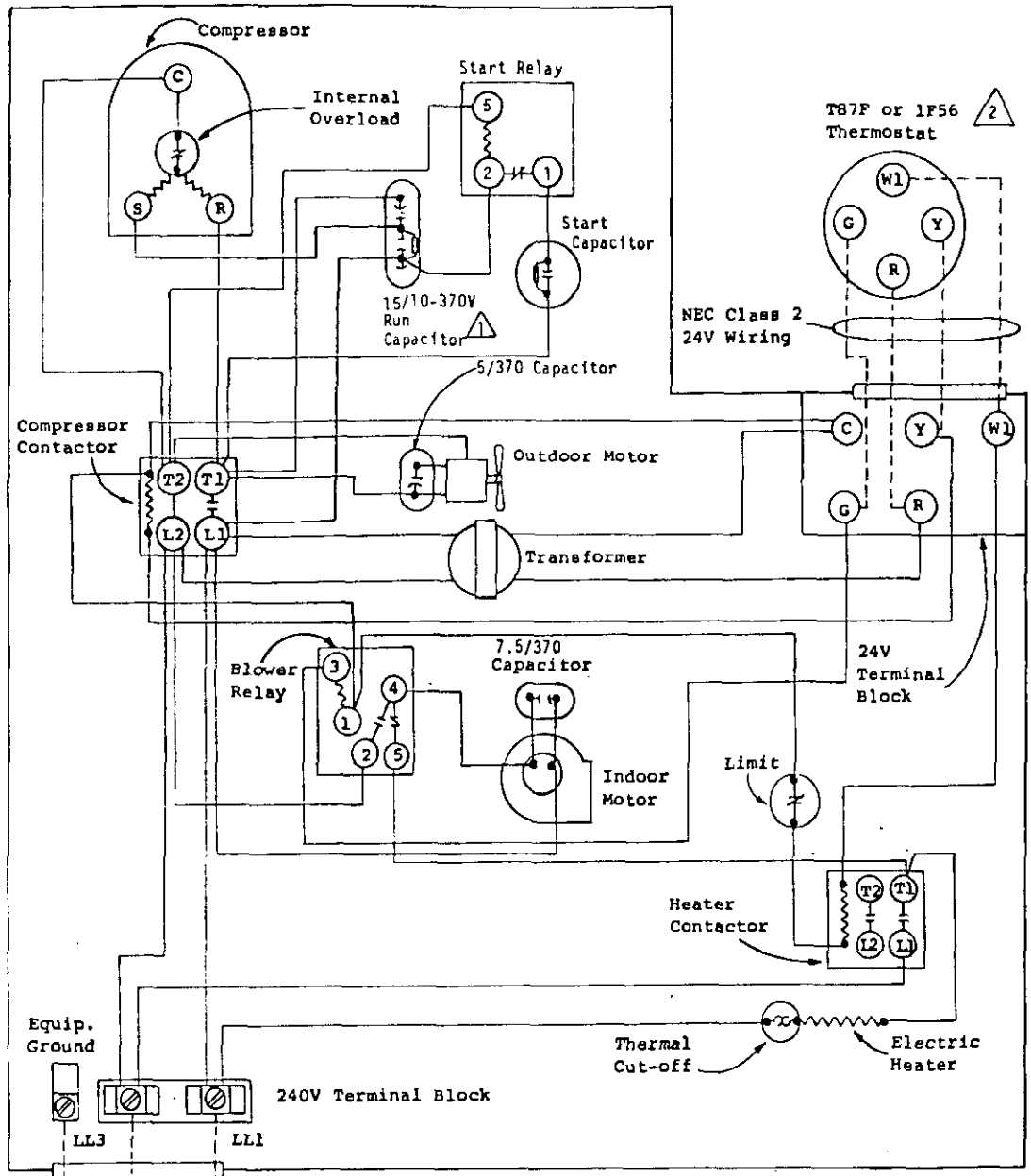
230/208-60-1

MODELS
20WA1 & 24WA2
w/4 or 5Kw

Factory Wiring ———
Field Wiring - - - - -

4007-803D

100-14 300 520



USE COPPER OR ALUMINUM WIRE

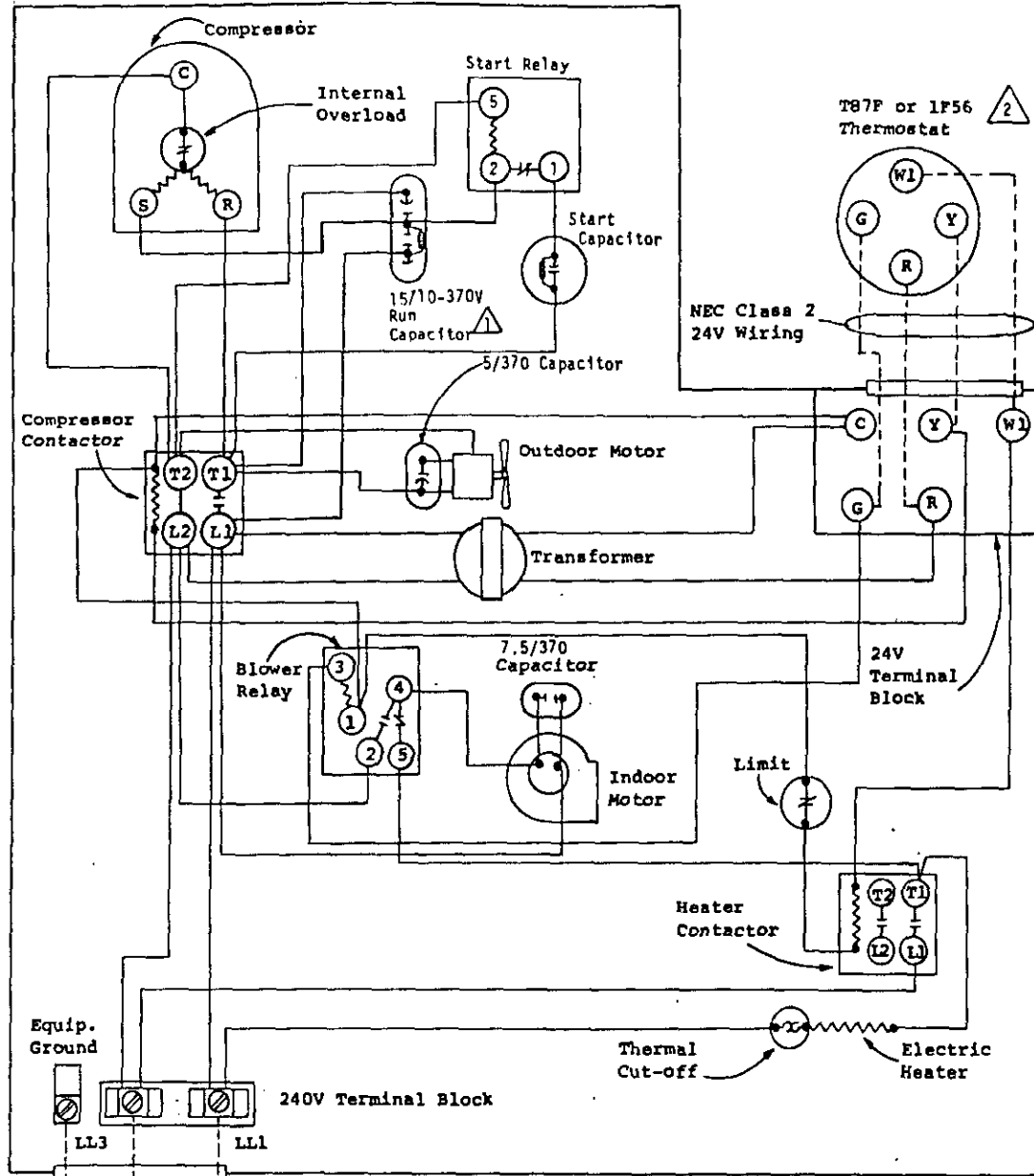
- 1 Capacitor provides off-cycle crankcase heat.
- 2 See alternate thermostat sheet. Set heat anticipator at .40A.

Fused Disconnect Switch

230/208-60-1

MODELS
20WA1 & 24WA2
w/4 or 5kw

Factory Wiring ———
Field Wiring - - - - -



USE COPPER OR ALUMINUM WIRE

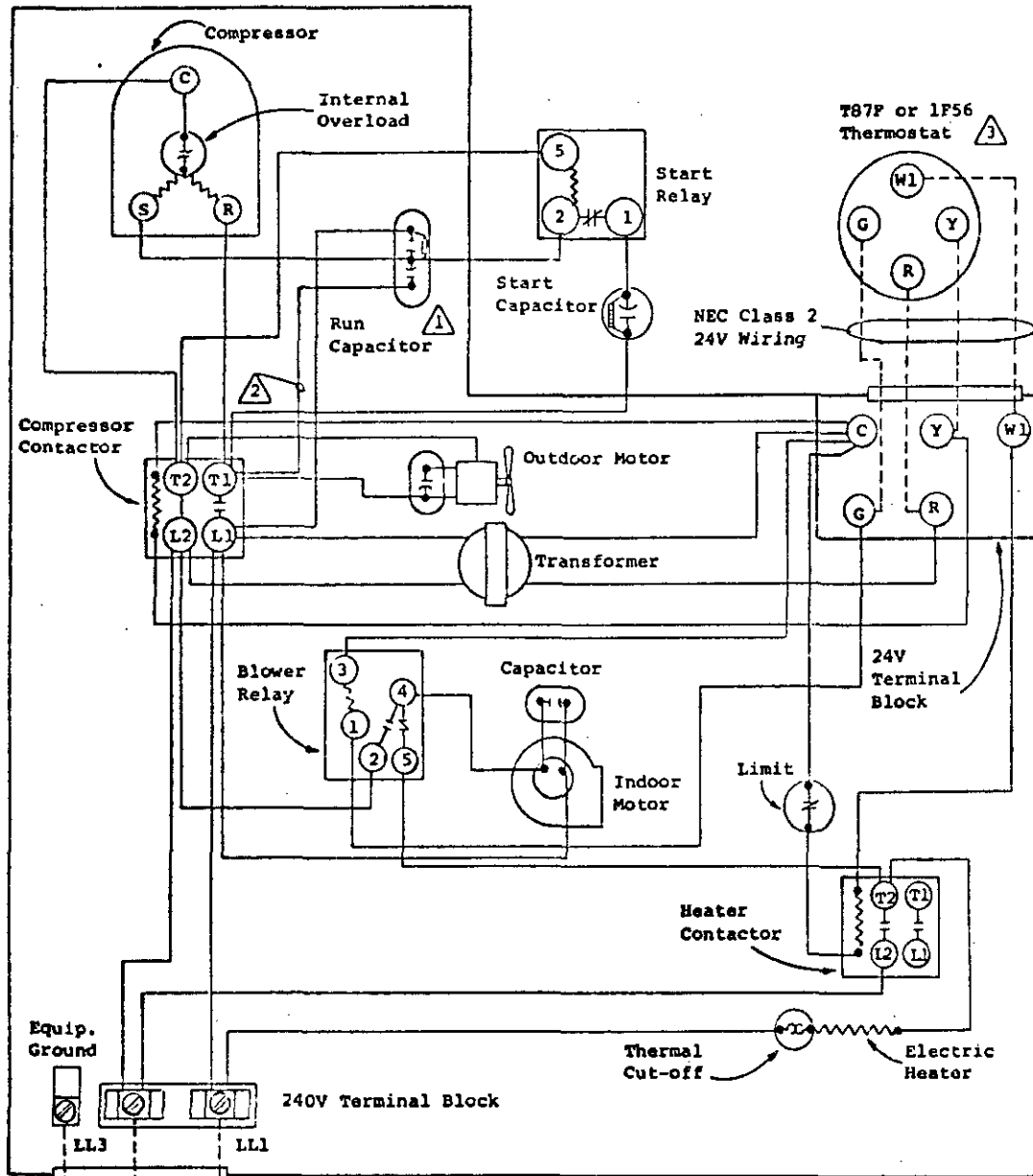
- ⚠️ 1 Capacitor provides off-cycle crankcase heat.
- ⚠️ 2 See alternate thermostat sheet. Set heat anticipator at .40A.

Fused Disconnect Switch

230/208-60-1

MODELS
20WA1 & 24WA2
w/4 or 5kw

Factory Wiring _____
Field Wiring - - - - -



Equip. Ground

240V Terminal Block

LL3

LL1

USE COPPER OR ALUMINUM WIRE

Fused Disconnect Switch

230V 60Hz 1-Ph

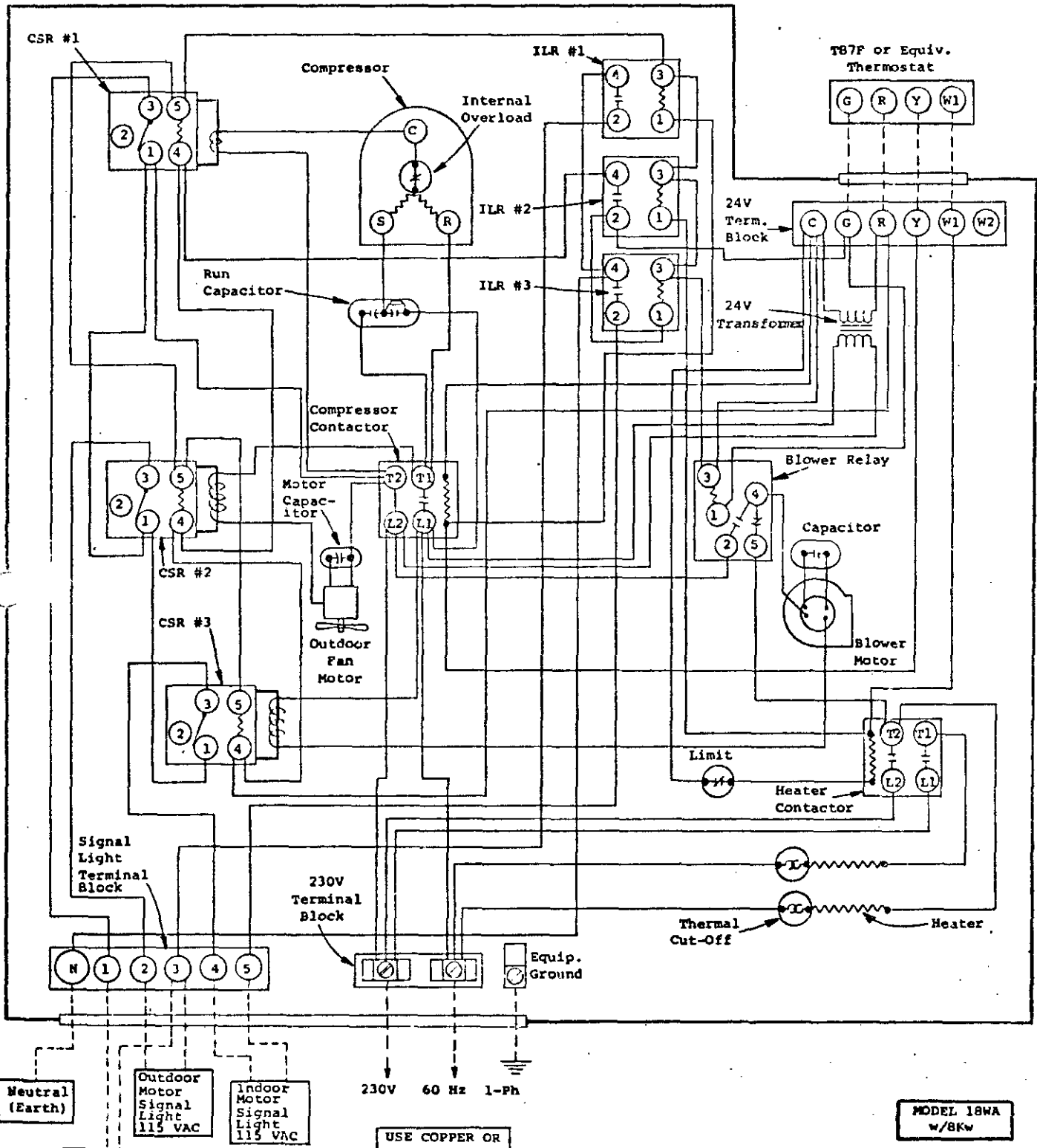
- ⚠ 3-terminal capacitor provides off-cycle crankcase heat.
- ⚠ This wire omitted and 2-terminal capacitor used on model 18WA1 and 20WA.
- ⚠ See alternate thermostat sheet. Set heat anticipator at .40A

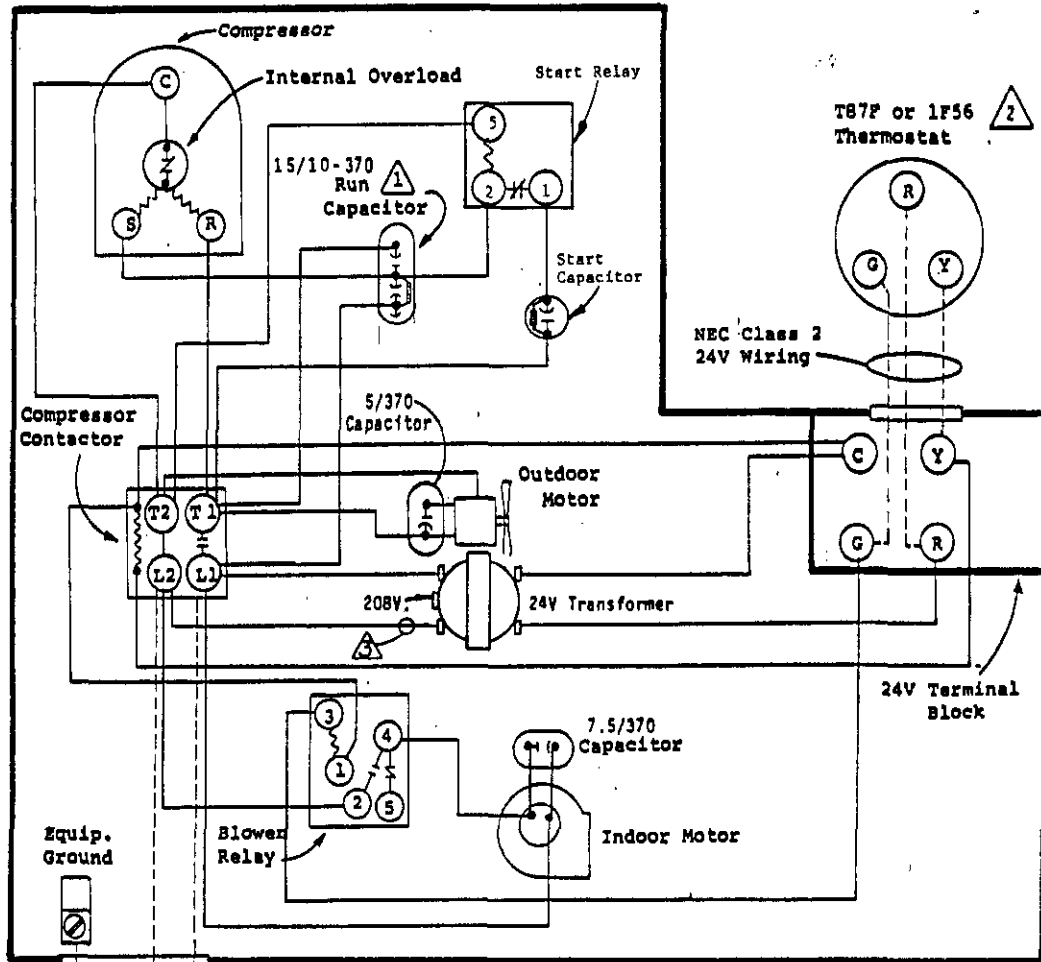
Models
18WA1, 20WA, 24WA1
w/4 or 5kw

Primary Wiring ———
Secondary Wiring - - - -

CURRENT SENSING RELAYS

- C.S.R. #1 - Compressor
- C.S.R. #2 - Outdoor Motor
- C.S.R. #3 - Indoor Motor





USE COPPER CONDUCTORS ONLY

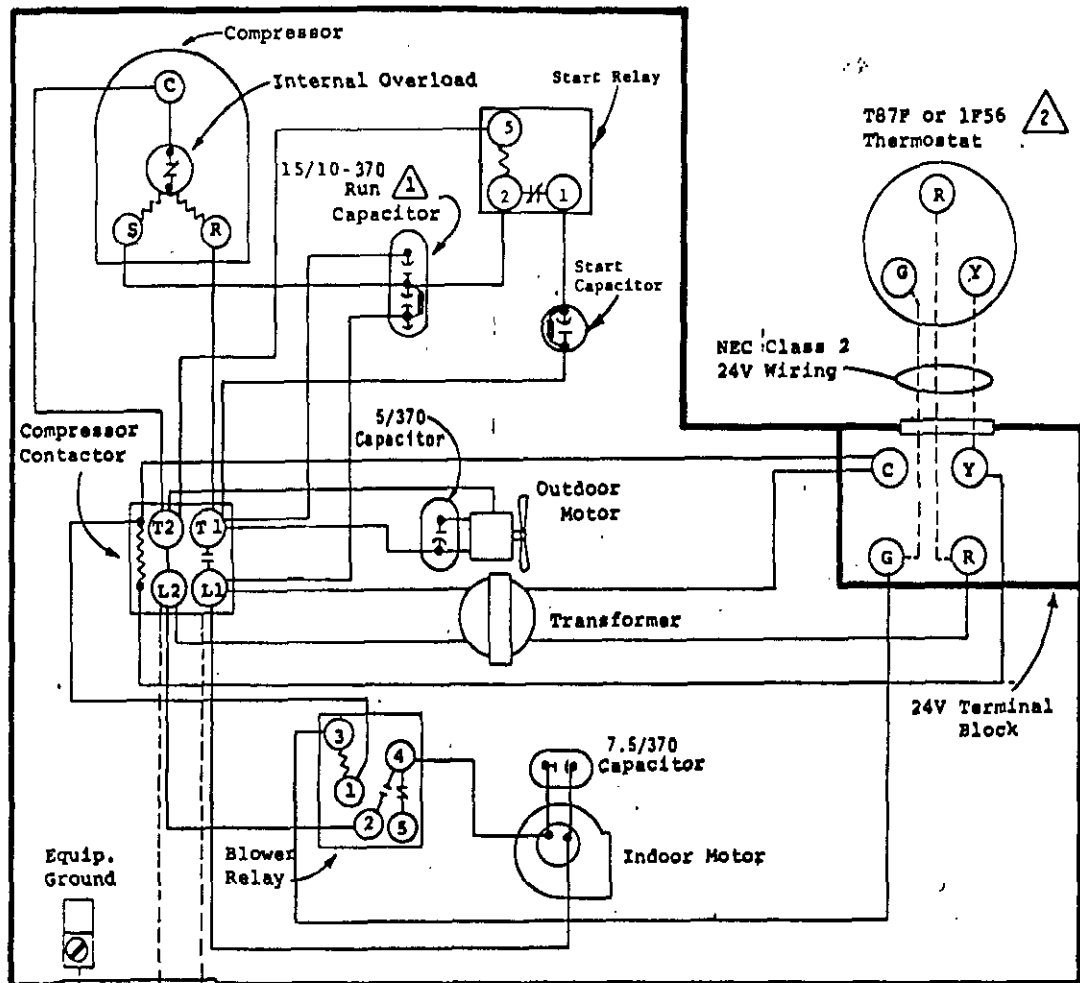
- 1 Capacitor provides off-cycle crankcase heat.
- 2 See alternate thermostat sheet.
- 3 For 208V operation move this wire to 208V transformer tap.

Fused Disconnect Switch

230/208-60-1

MODELS
20WA1 & 24WA2

Factory Wiring _____
Field Wiring - - - - -



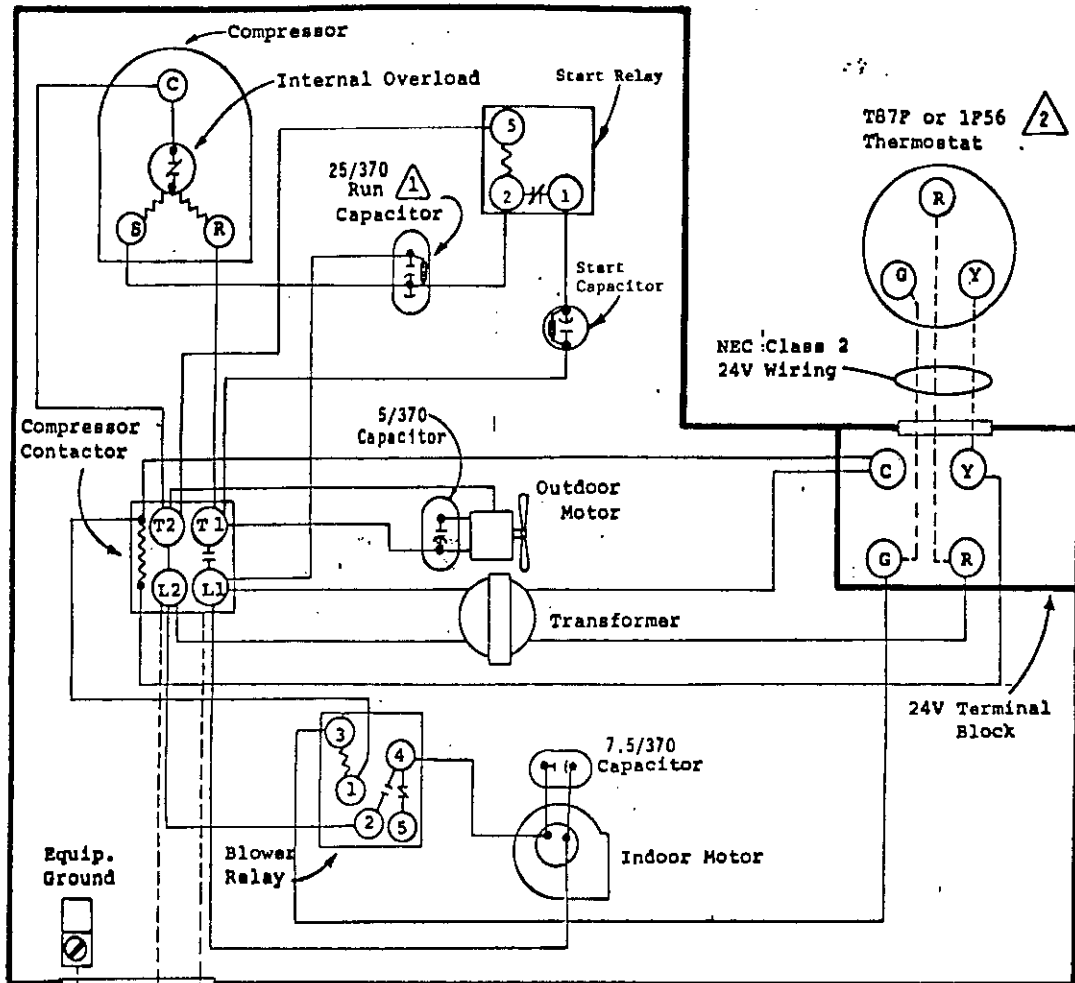
USE COPPER CONDUCTORS ONLY

- 1 Capacitor provides off-cycle crankcase heat.
- 2 See alternate thermostat sheet.

REVISED DIAGRAM
 REPLACES
 4007-205A
 DATE 9-9-5-

MODELS
 20WA1 & 24WA2

Factory Wiring _____
 Field Wiring - - - - -



USE COPPER CONDUCTORS ONLY

- 1 Capacitor provides off-cycle crankcase heat.
- 2 See alternate thermostat sheet.

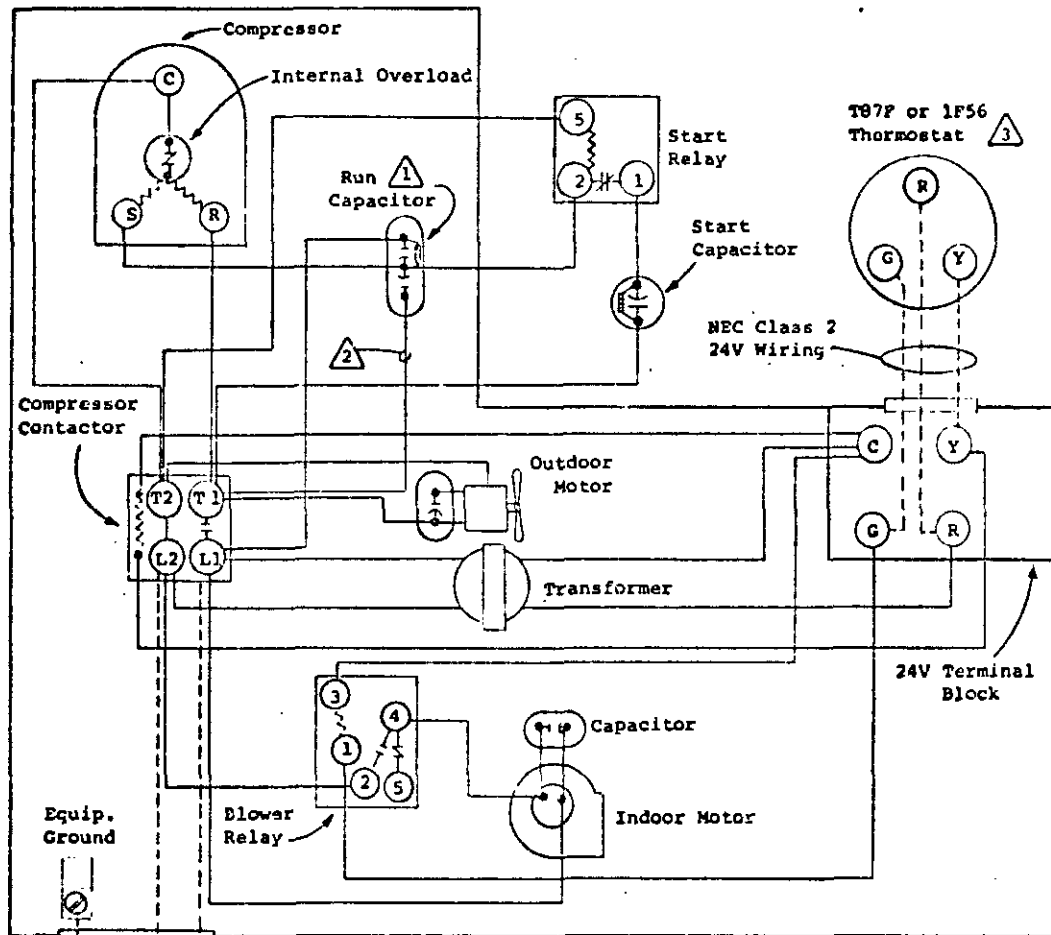
Fused Disconnect Switch

230/208-50-1

MODELS 20WA1 & 24WA2

Factory Wiring _____
Field Wiring - - - - -

4007-805A



USE COPPER CONDUCTORS ONLY

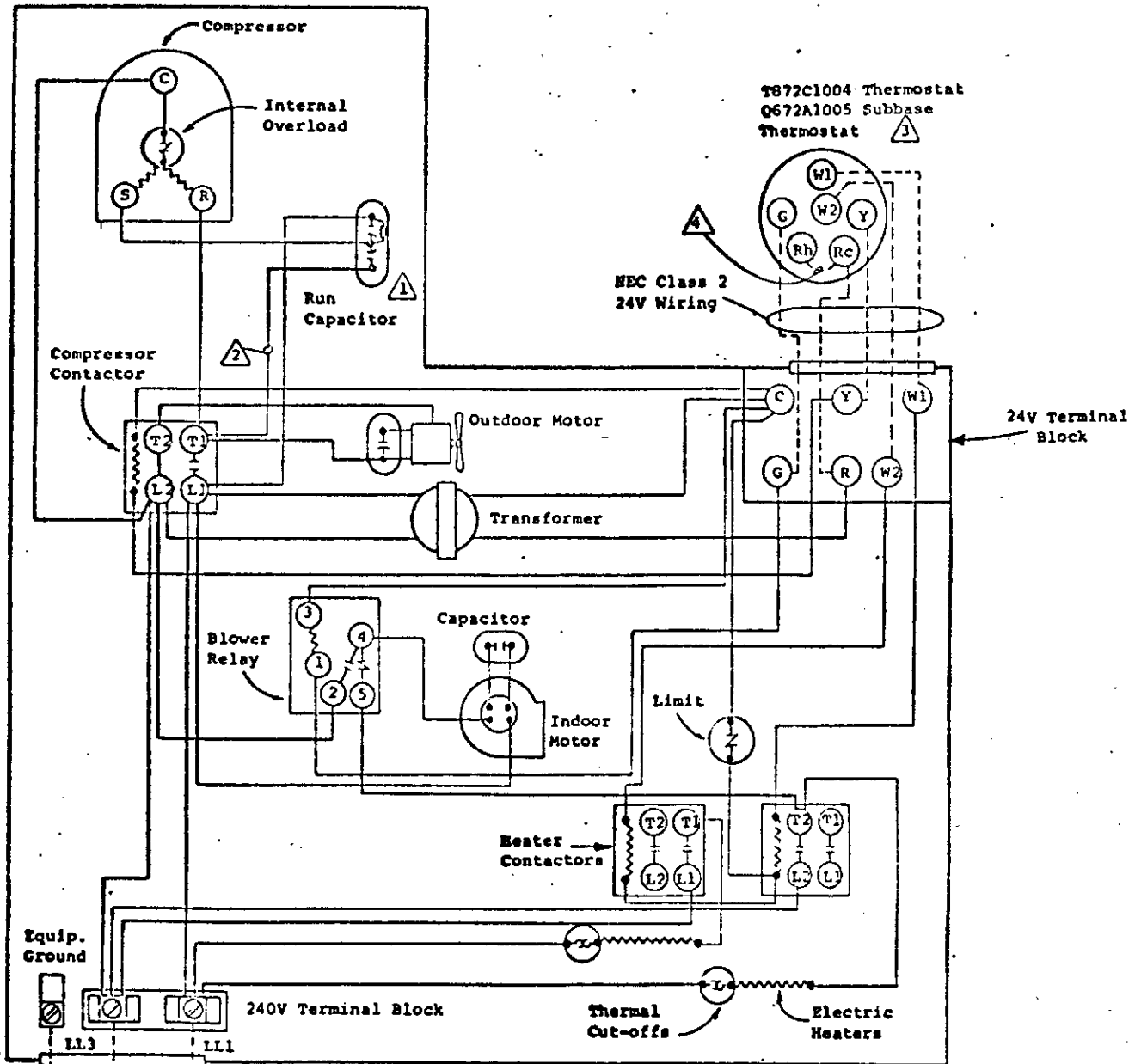
- ⚠ 1 3-terminal capacitor provides off-cycle heat.
- ⚠ 2 This wire omitted and 2-terminal capacitor used on models 18WA1 and 20WA.
- ⚠ 3 See alternate thermostat sheet.

230V 60Hz 1-Ph

Fused Disconnect Switch

Models
18WA1, 20WA, 24WA1

Factory Wiring _____
Field Wiring - - - - -

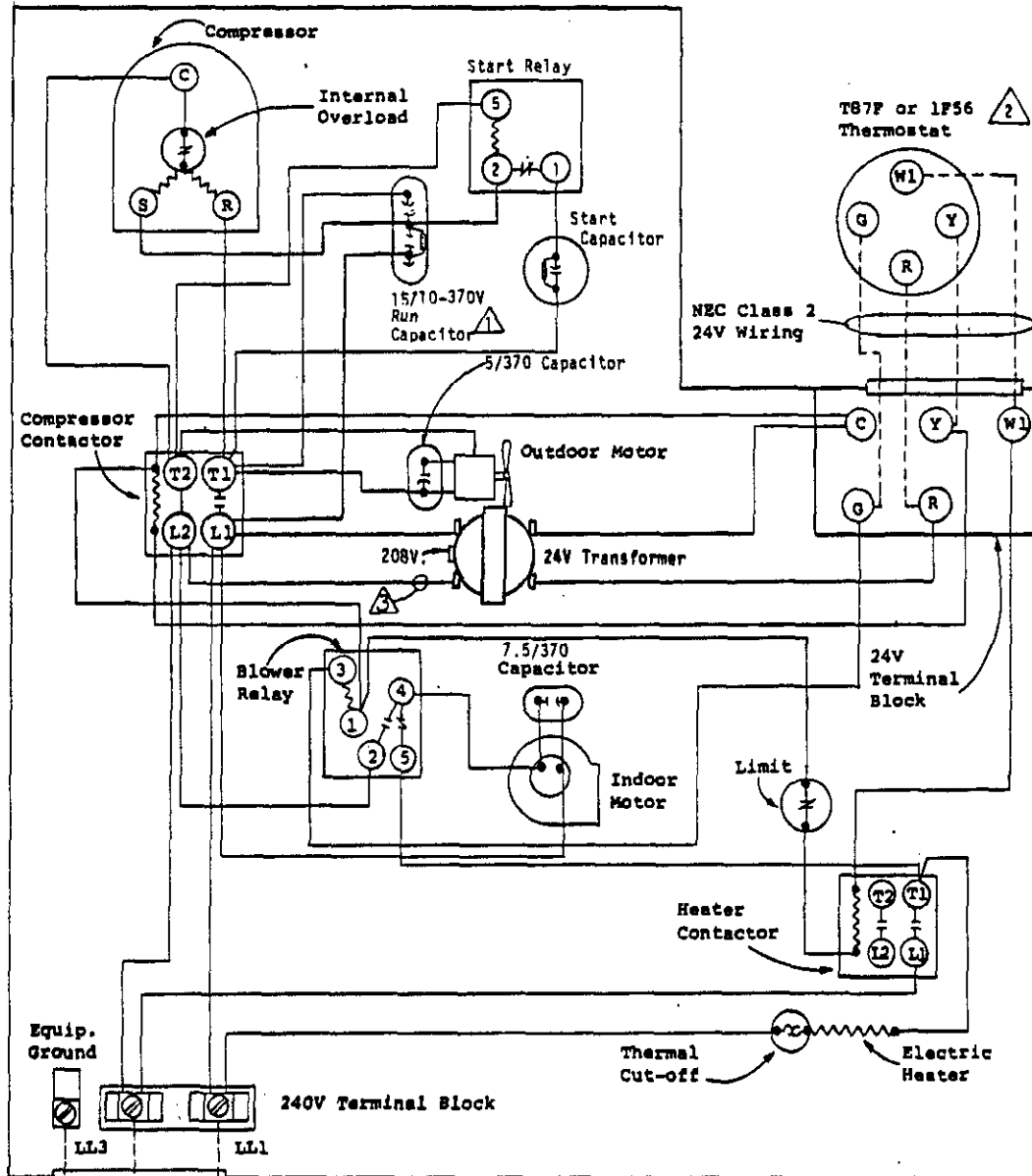


USE COPPER OR ALUMINUM WIRE

- ⚠ 1 3-terminal capacitor provides off-cycle crankcase heat.
- ⚠ 2 This wire omitted and 2-terminal capacitor used on model 18WA1 and 20WA.
- ⚠ 3 See alternate thermostat sheet. Set heat anticipator at .40A for W1 and W2.
- ⚠ 4 Add jumper Rc to Rh.

Models
18WA1, 20WA, 24WA1
w/8 or 10Kw

Factory Wiring ———
Field Wiring - - - - -



USE COPPER OR ALUMINUM WIRE

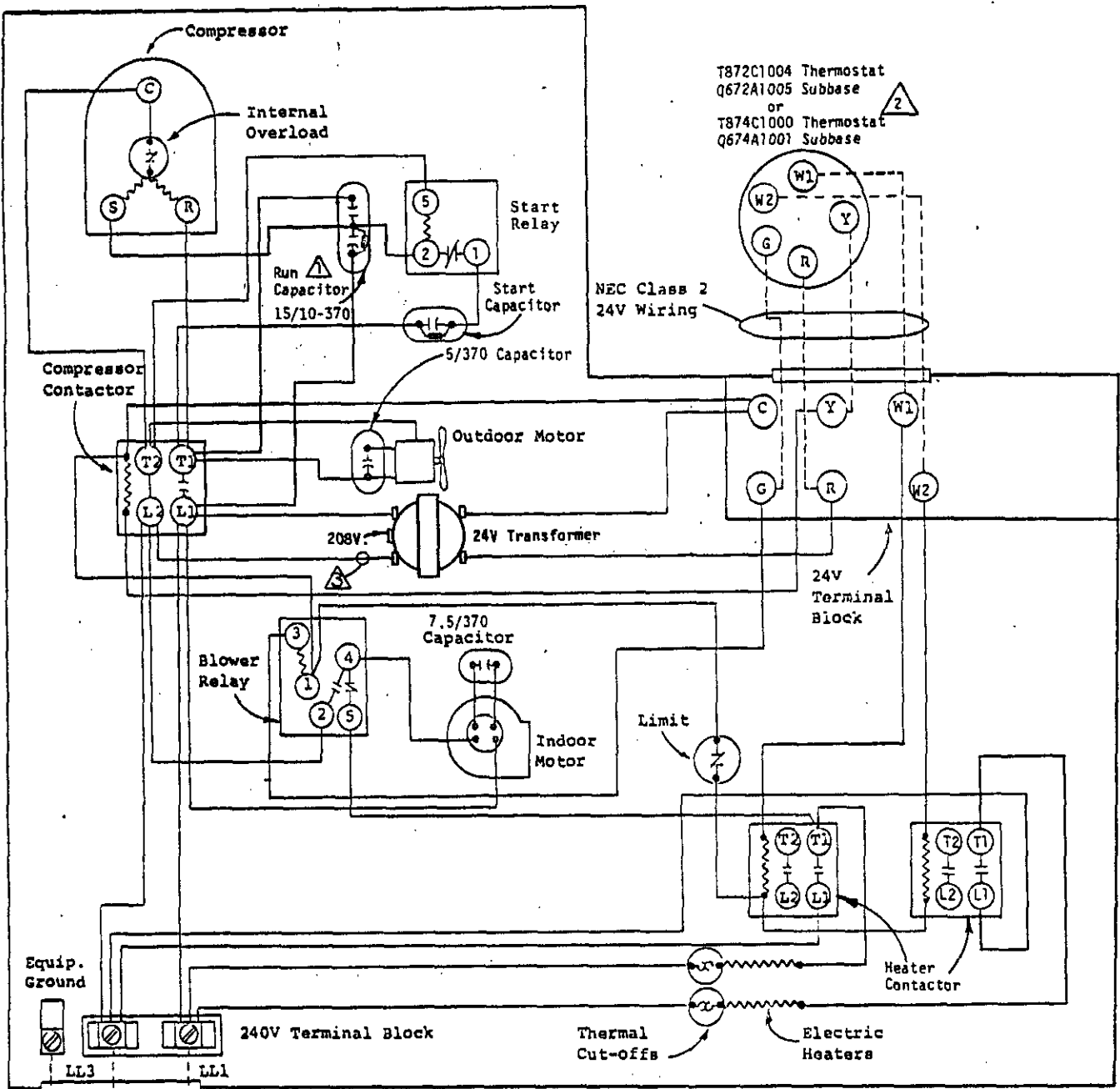
- 1 Capacitor provides off-cycle crankcase heat.
- 2 See alternate thermostat sheet. Set heat anticipator at .40A.
- 3 For 208V operation move this wire to 208V transformer tap.

Fused Disconnect Switch

230/208-60-1

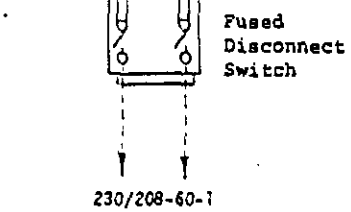
MODELS
20WA1 & 24WA2
w/4 or 5kw

Factory Wiring ———
Field Wiring - - - - -



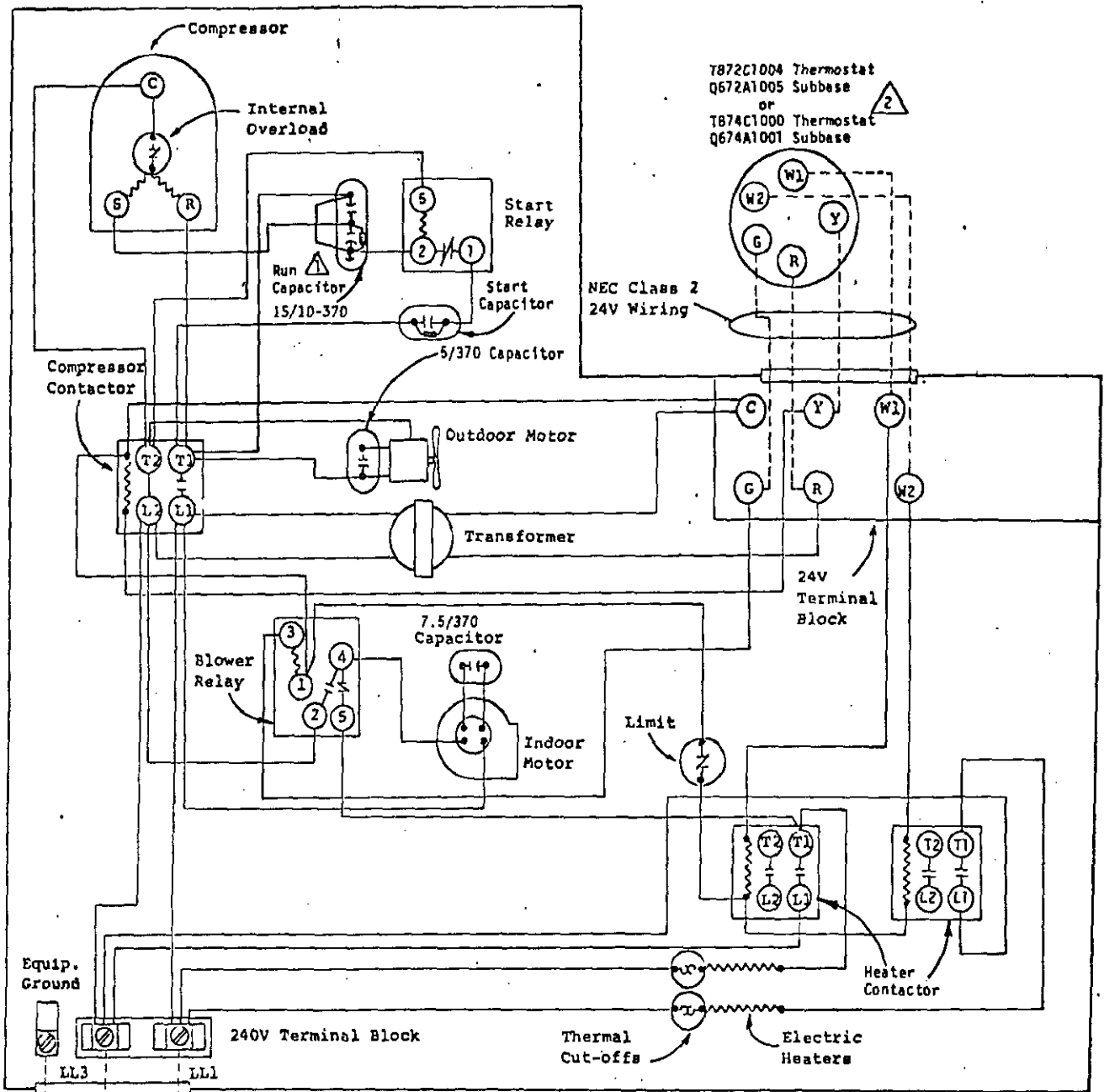
USE COPPER OR ALUMINUM WIRE

- ⚠ Capacitor provides off-cycle crankcase heat.
- ⚠ See alternate thermostat sheet. Set heat anticipator at .40A.
- ⚠ For 208V operation move this wire to 208V transformer tap.



Factory Wiring _____
Field Wiring - - - - -

Models
20WA1 & 24WA2
w/8 or 10Kw



T872C1004 Thermostat
 Q672A1005 Subbase
 or
 T874C1000 Thermostat
 Q674A1001 Subbase

NEC Class 2
 24V Wiring

USE COPPER OR
 ALUMINUM WIRE

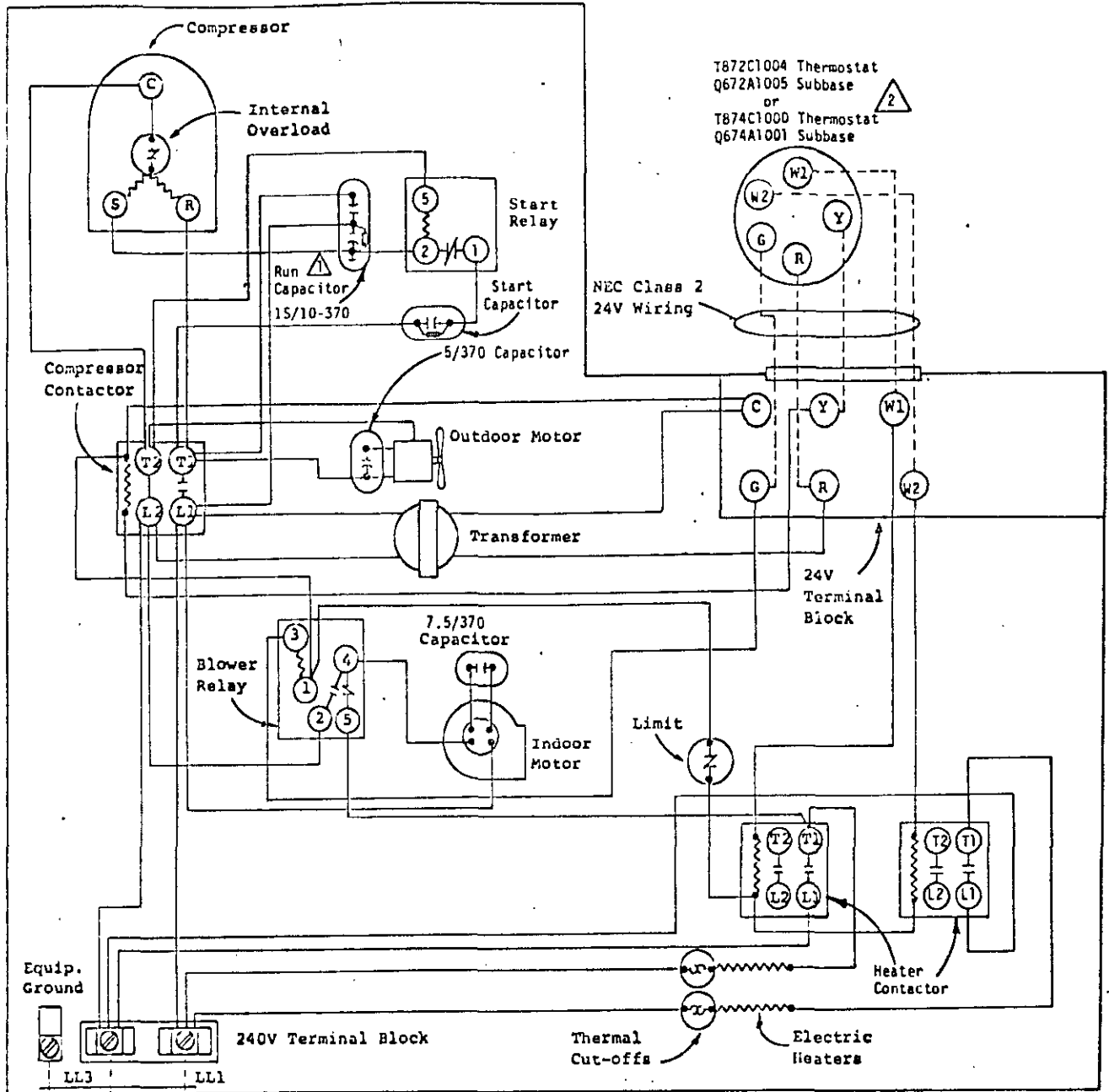
- ⚠️ Capacitor provides off-cycle crankcase heat.
- ⚠️ See alternate thermostat sheet. Set heat anticipator at .40A.

Fused
 Disconnect
 Switch

230/208-60-1

Models
 20WA1 & 24WA2
 w/8 or 10kw

Factory Wiring ———
 Field Wiring - - - - -



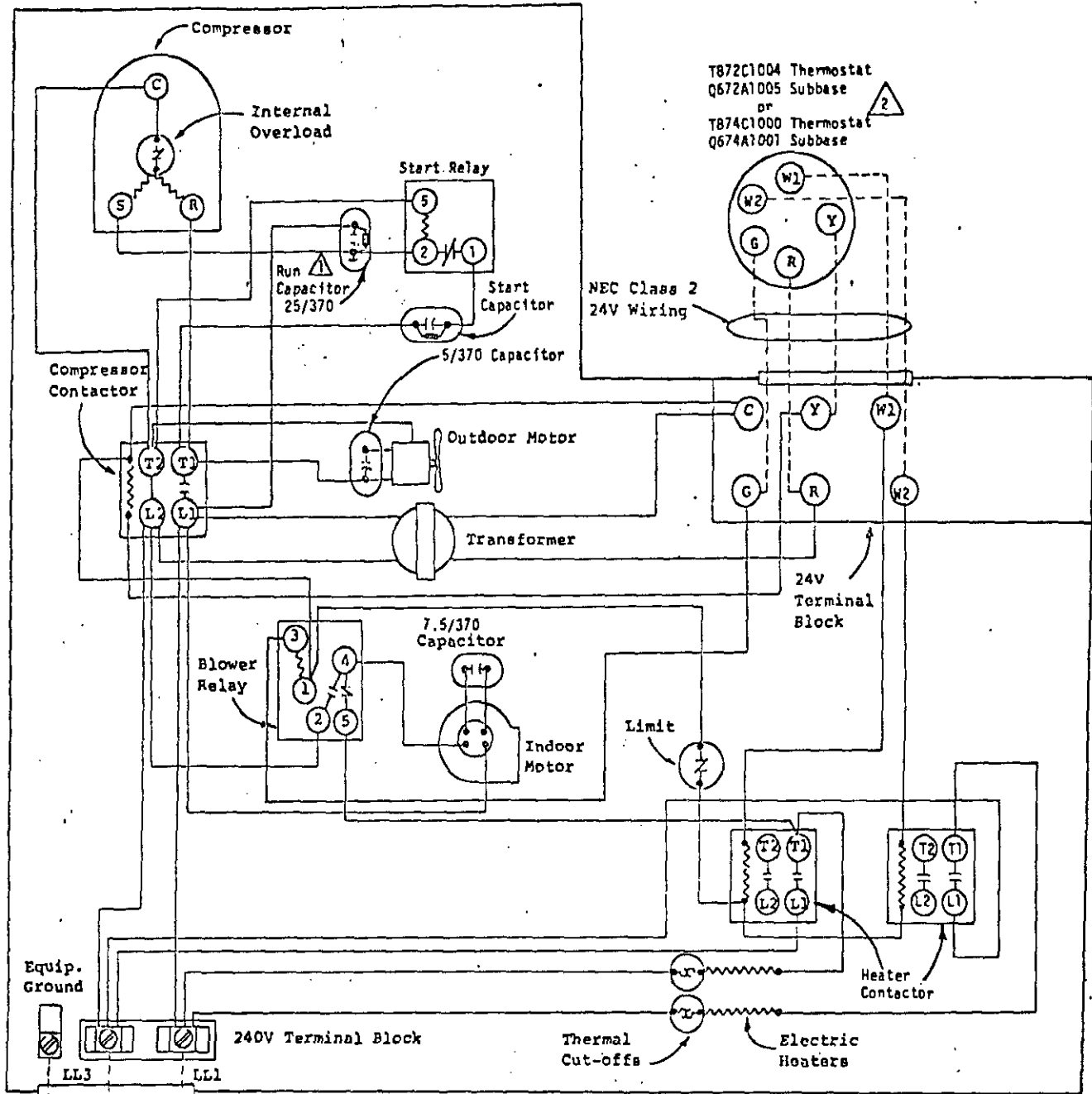
T872C1004 Thermostat
 Q672A1005 Subbase
 or
 T874C1000 Thermostat
 Q674A1001 Subbase

USE COPPER OR ALUMINUM WIRE

- ⚠ Capacitor provides off-cycle crankcase heat.
- ⚠ See alternate thermostat sheet. Set heat anticipator at .40A.

Models
 20WA1 & 24WA2
 w/8 or 10KW

Factory Wiring ———
 Field Wiring - - - - -



T872C1004 Thermostat
 Q672A1005 Subbase
 or
 T874C1000 Thermostat
 Q674A1001 Subbase

USE COPPER OR ALUMINUM WIRE

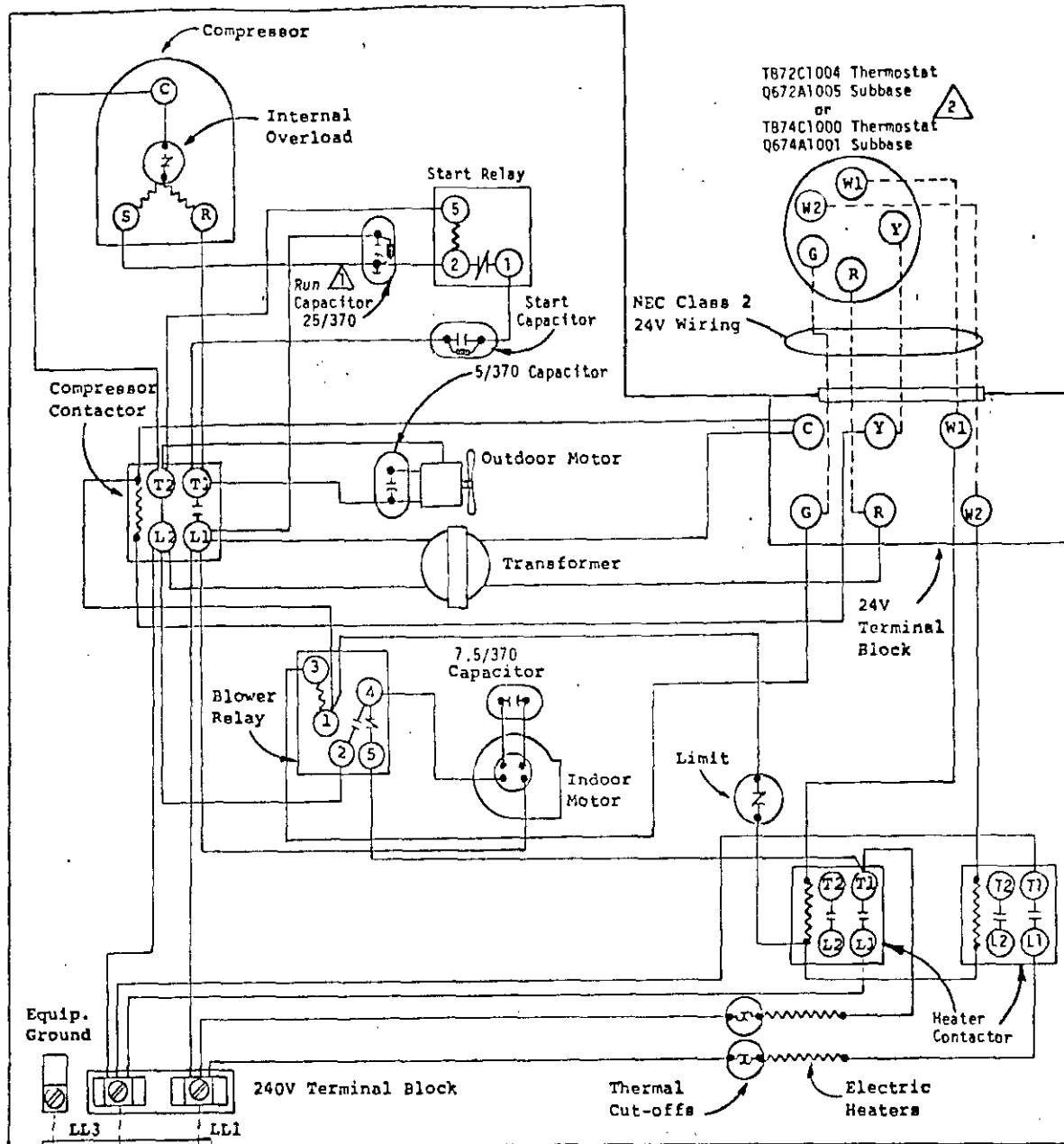
- ⚠️ Capacitor provides off-cycle crankcase heat.
- ⚠️ See alternate thermostat sheet. Set heat anticipator at .40A.

Fused Disconnect Switch

230/208-60-1

Models
 20WA1 & 24WA2
 w/8 or 10Kw

Factory Wiring ———
 Field Wiring - - - - -



TB72C1004 Thermostat
 Q672A1005 Subbase
 or
 TB74C1000 Thermostat
 Q674A1001 Subbase

NEC Class 2
 24V Wiring

24V
 Terminal
 Block

Equip.
 Ground

240V Terminal Block

Thermal
 Cut-offs

Electric
 Heaters

USE COPPER OR
 ALUMINUM WIRE

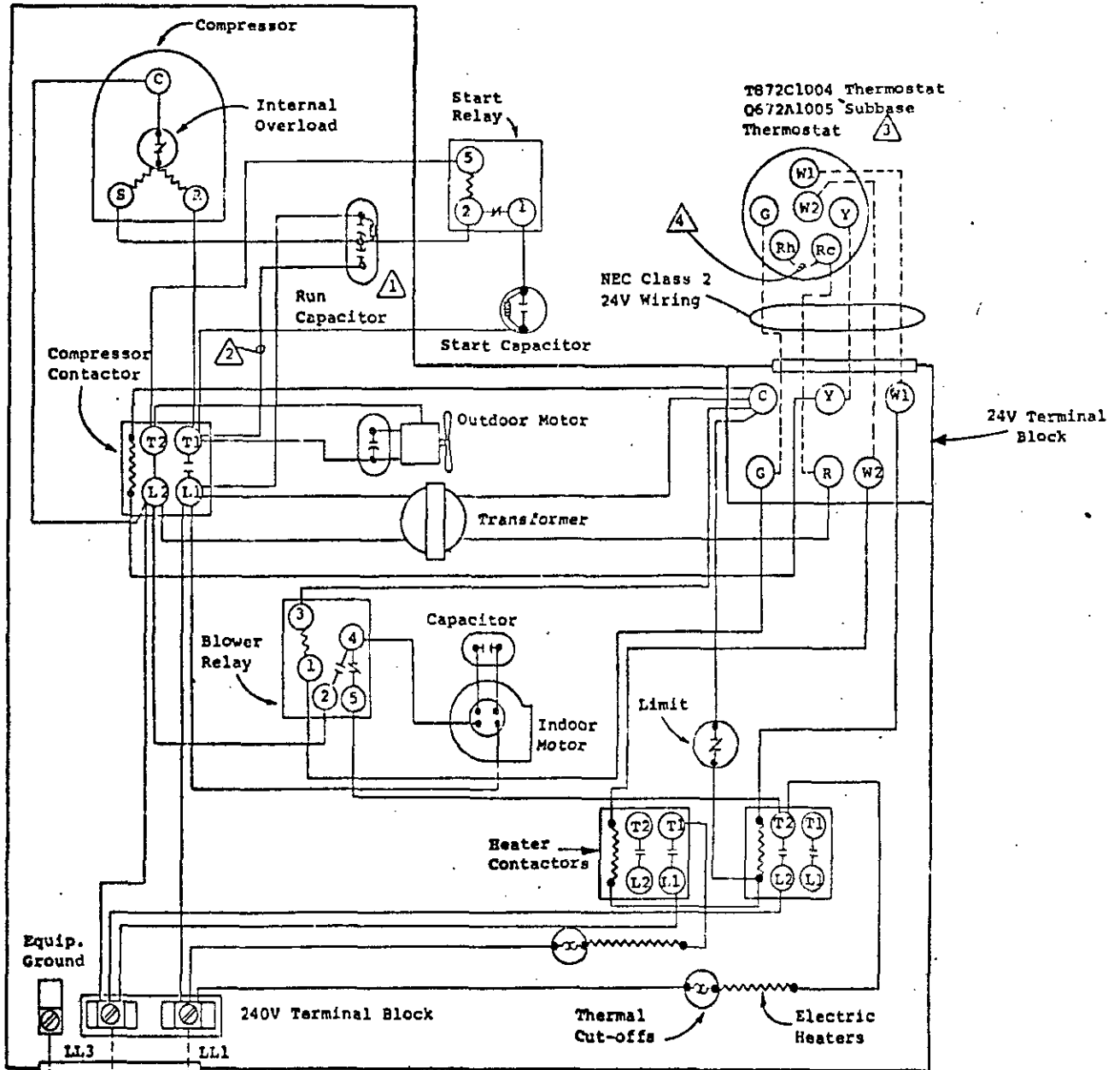
- ⚠ Capacitor provides off-cycle crankcase heat.
- ⚠ See alternate thermostat sheet. Set heat anticipator at .40A.

Fused
 Disconnect
 Switch

230/208-60-1

Models
 20WA1 & 24WA2
 w/8 or 10Kw

Factory Wiring ———
 Field Wiring - - - - -



USE COPPER OR ALUMINUM WIRE

- ⚠ 1 3-terminal capacitor provides off-cycle crankcase heat.
- ⚠ 2 This wire omitted and 2-terminal capacitor used on model 18WA1 and 20WA.
- ⚠ 3 See alternate thermostat sheet. Set heat anticipator at .40A for W1 and W2.
- ⚠ 4 Add jumper Rc to Rh.

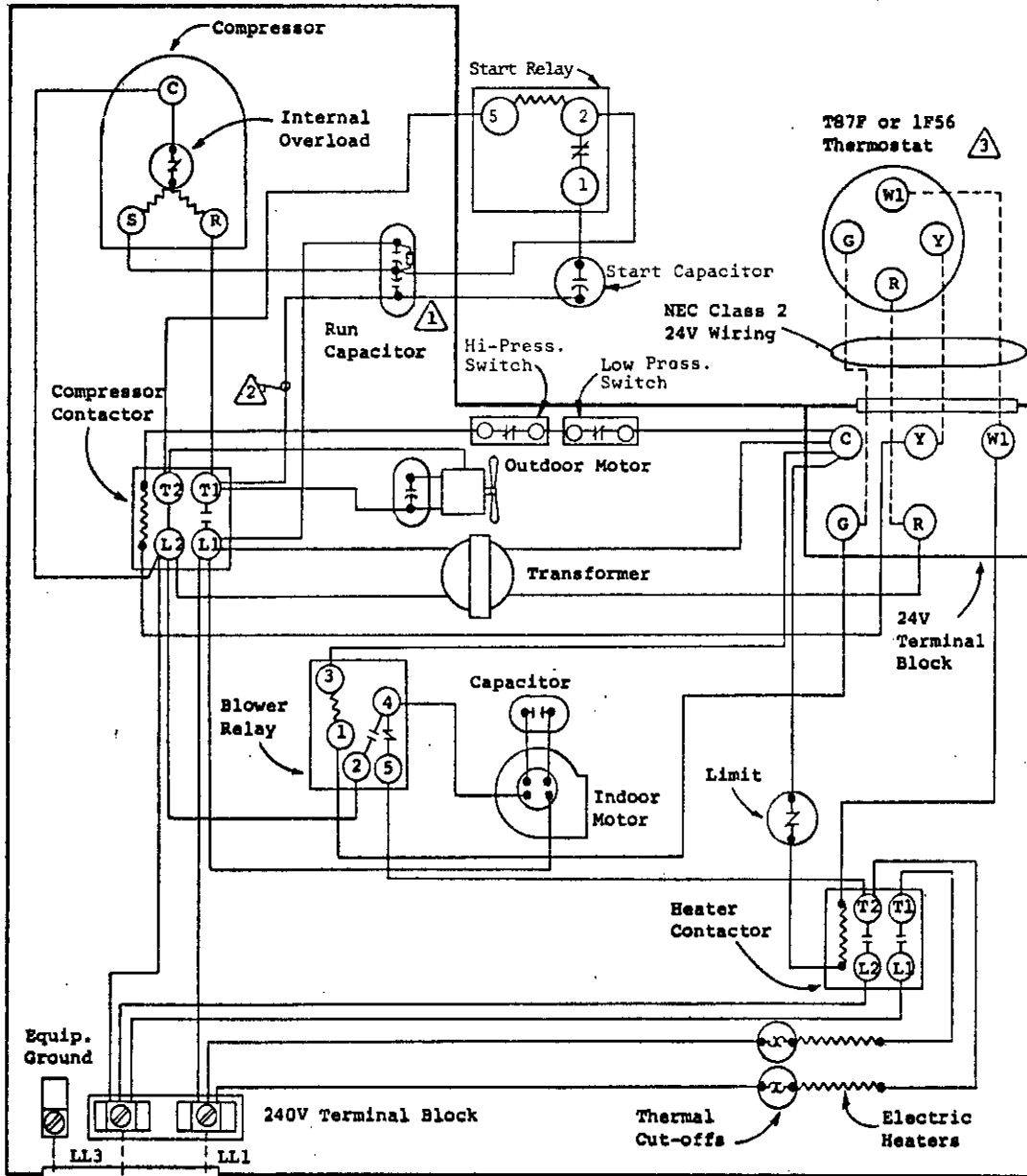
230V 60Hz 1-Ph

Models
18WA1, 20WA, 24WA1
w/8 or 10kw

Post-it® Fax Note 7671 Date 1/20/00 # of pages 1

To <u>BRAD</u>	From
Co./Dept.	Co. <u>BAIRD MFG CO</u>
Phone # <u>360-855-3509</u>	Phone #
Fax #	Fax #

Factory Wiring
Field Wiring



USE COPPER OR ALUMINUM WIRE

- ① 3-terminal capacitor provides off-cycle crankcase heat.
- ② This wire omitted and 2-terminal capacitor used on model 18WA1 and 20WA.
- ③ See alternate thermostat sheet. Set heat anticipator at .40A.

Fused Disconnect Switch

230V 60Hz 1-Ph

Models
18WA1, 20WA, 24WA1
w/8 or 10kw

Factory Wiring ———
Field Wiring - - - - -