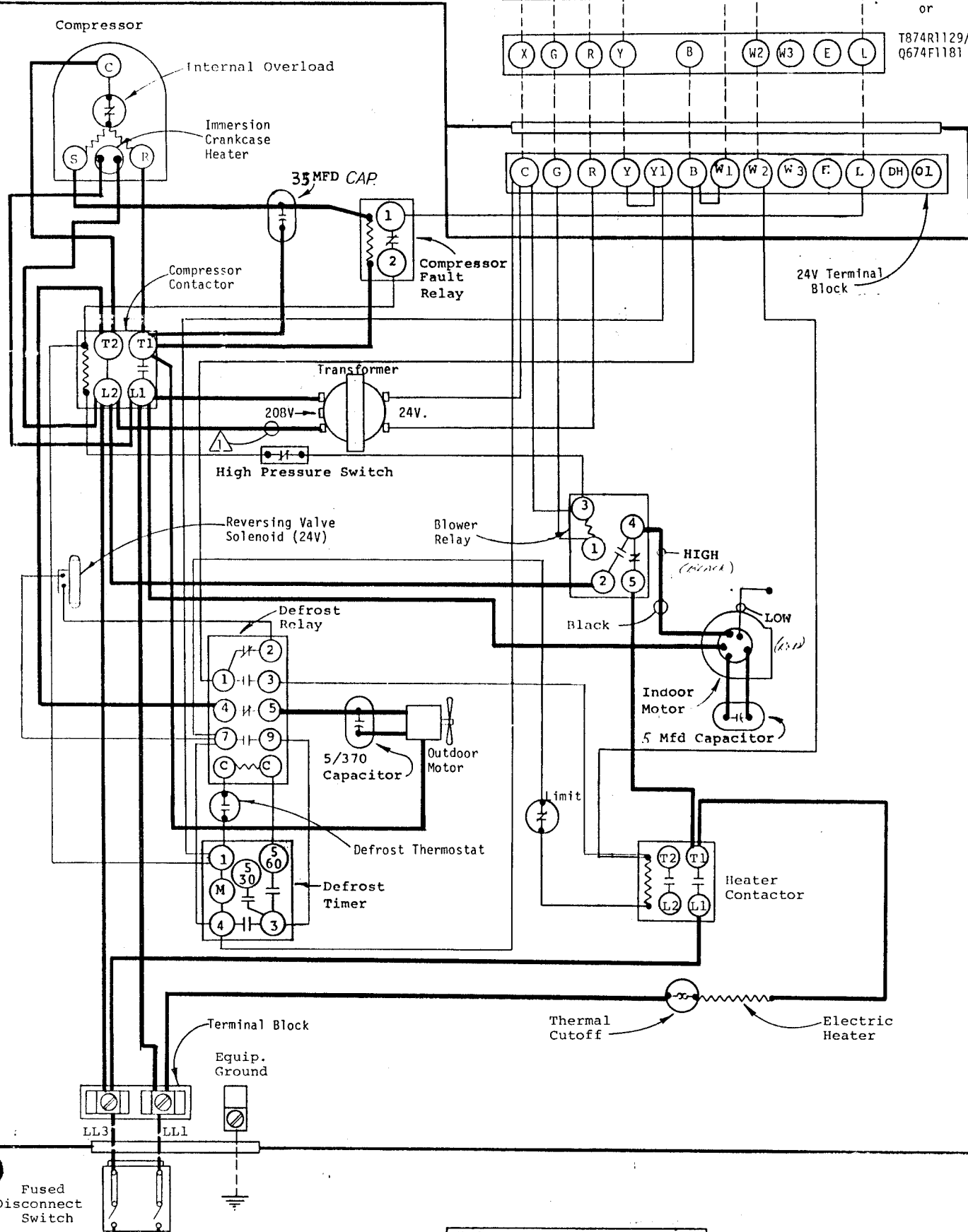
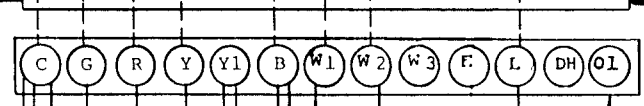
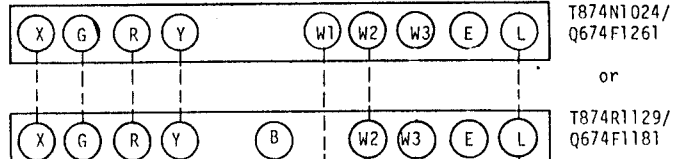


⚠ For 208V operation move this wire to 208V transformer tap.



230/208-60-1

USE COPPER OR ALUMINUM WIRE

|              | FACTORY WIRING | FIELD WIRING |
|--------------|----------------|--------------|
| Low Voltage  | ————           | - - - -      |
| High Voltage | ————           | - - - -      |

4012-120P