

⚠ If there is an X1 and X2 terminal on Q674L1181, jumper them together and connect from C to either one.

⚠ For 208V operation move this wire to 208V transformer tap.

T872N1036/Q672F1299-
or
T874N1024/Q674F1261

T872R1164/Q672L1185
or
T874R1129/Q674L1181

24V
Terminal
Block

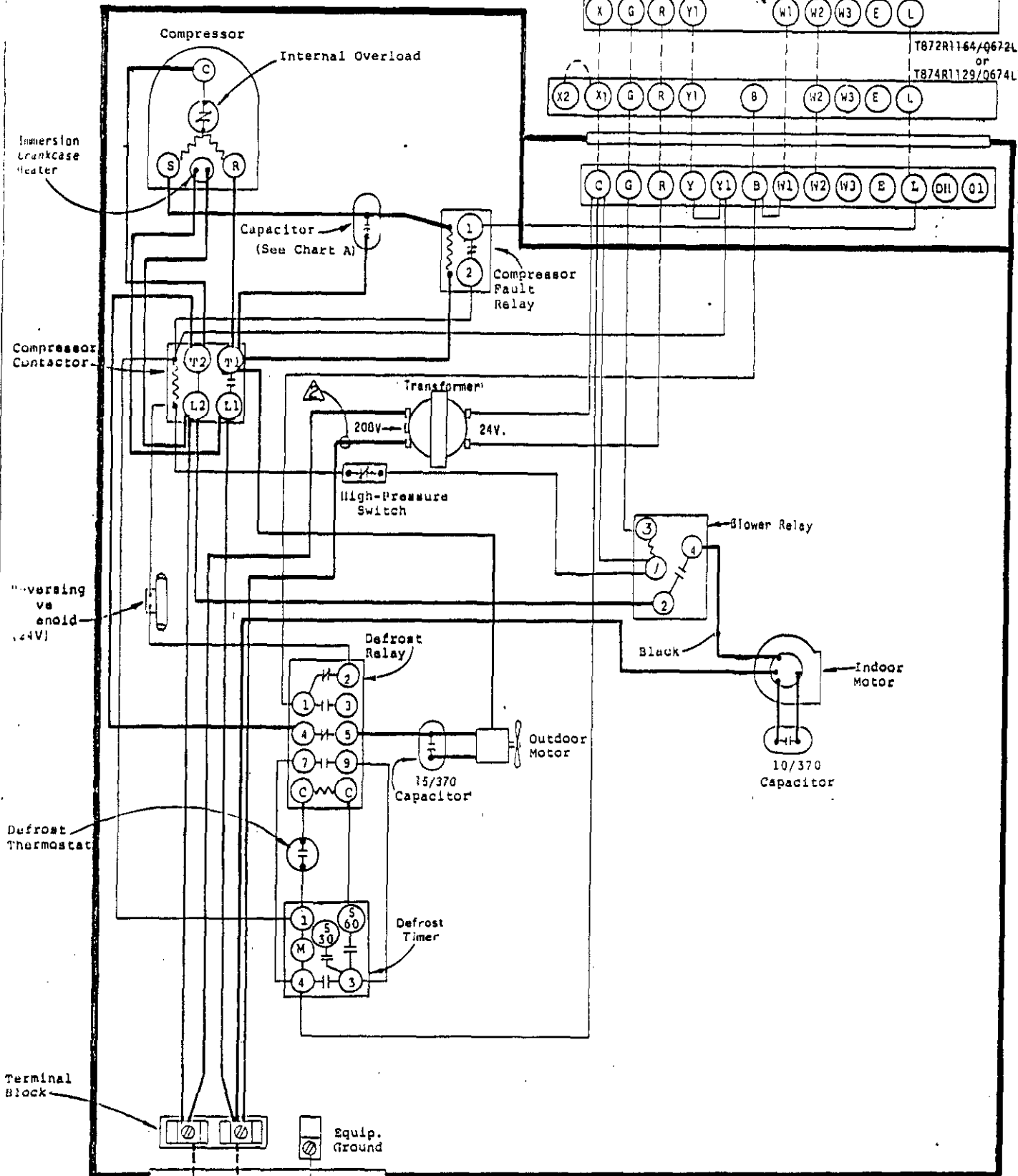


CHART A

48WH2	70/370
48WH5	40/440

FACTORY WIRING	FIELD WIRING
Low Voltage	-----
High Voltage	-----

MODELS
48WH2, 48WH5
HEAT PUMP
0 Kw

USE COPPER OR ALUMINUM WIRE

230/208-60-1

4014-110 J