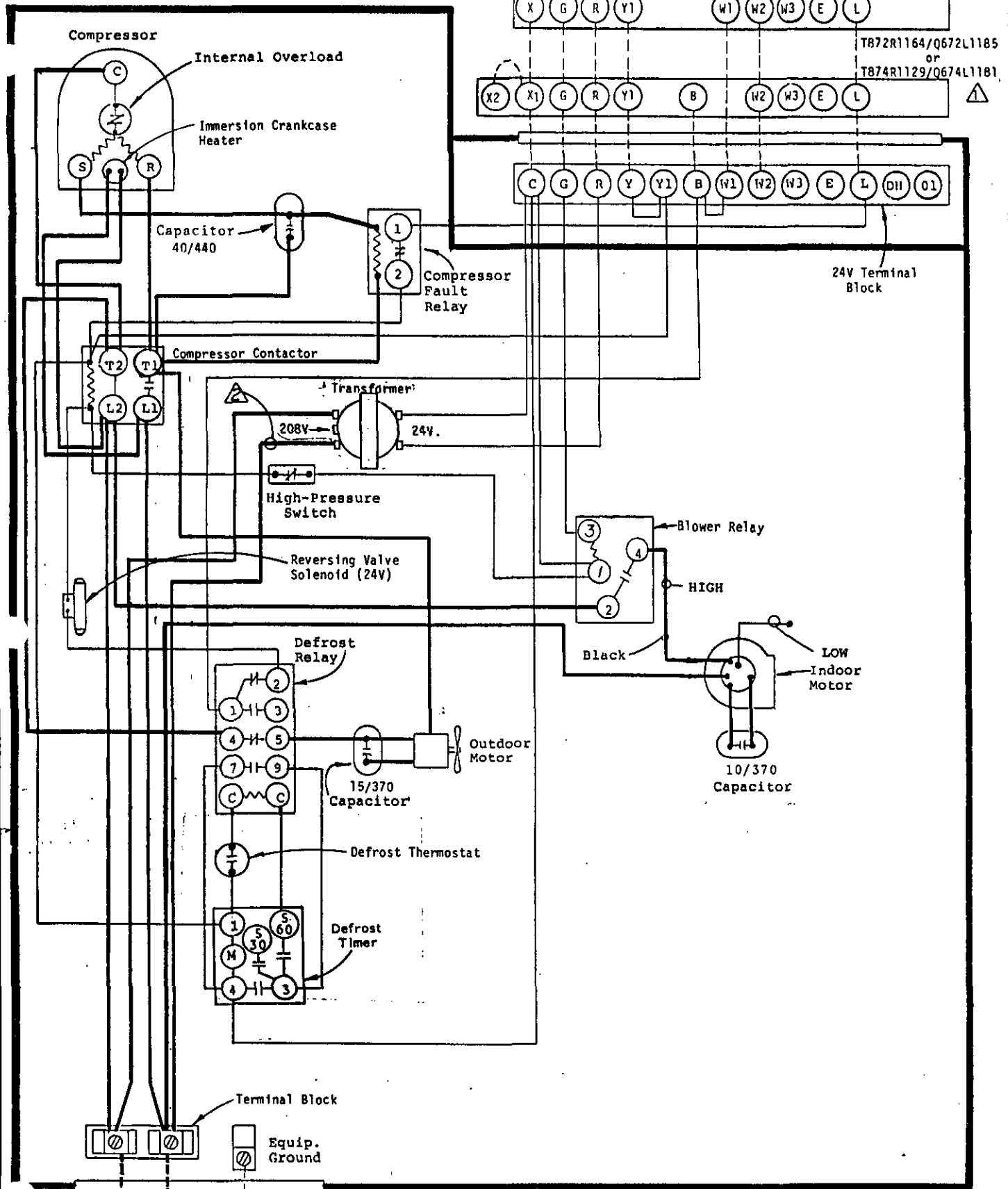


T872N1036/Q672F1299

or  
T874N1024/Q674F1261

T872R1164/Q672L1185

or  
T874R1129/Q674L1181



- ⚠ If there is an X1 and X2 terminal on Q674L1181 jumper them together and connect from C to either one.
- ⚠ For 208V operation move this wire to 208V transformer tap.

MODELS  
421H, 48WH5  
HEAT PUMP  
0 Kw

USE COPPER OR ALUMINUM WIRE

|              | FACTORY WIRING | FIELD WIRING |
|--------------|----------------|--------------|
| Low Voltage  | _____          | -----        |
| High Voltage | _____          | -----        |

Fused Disconnect Switch

230/208-60-1

4014-110L