

⚠ If there is an X1 and X2 terminal on Q674L1181, Jumper them together and connect from C to either one.

⚠ For 208V operation move this wire to 208V transformer tap.

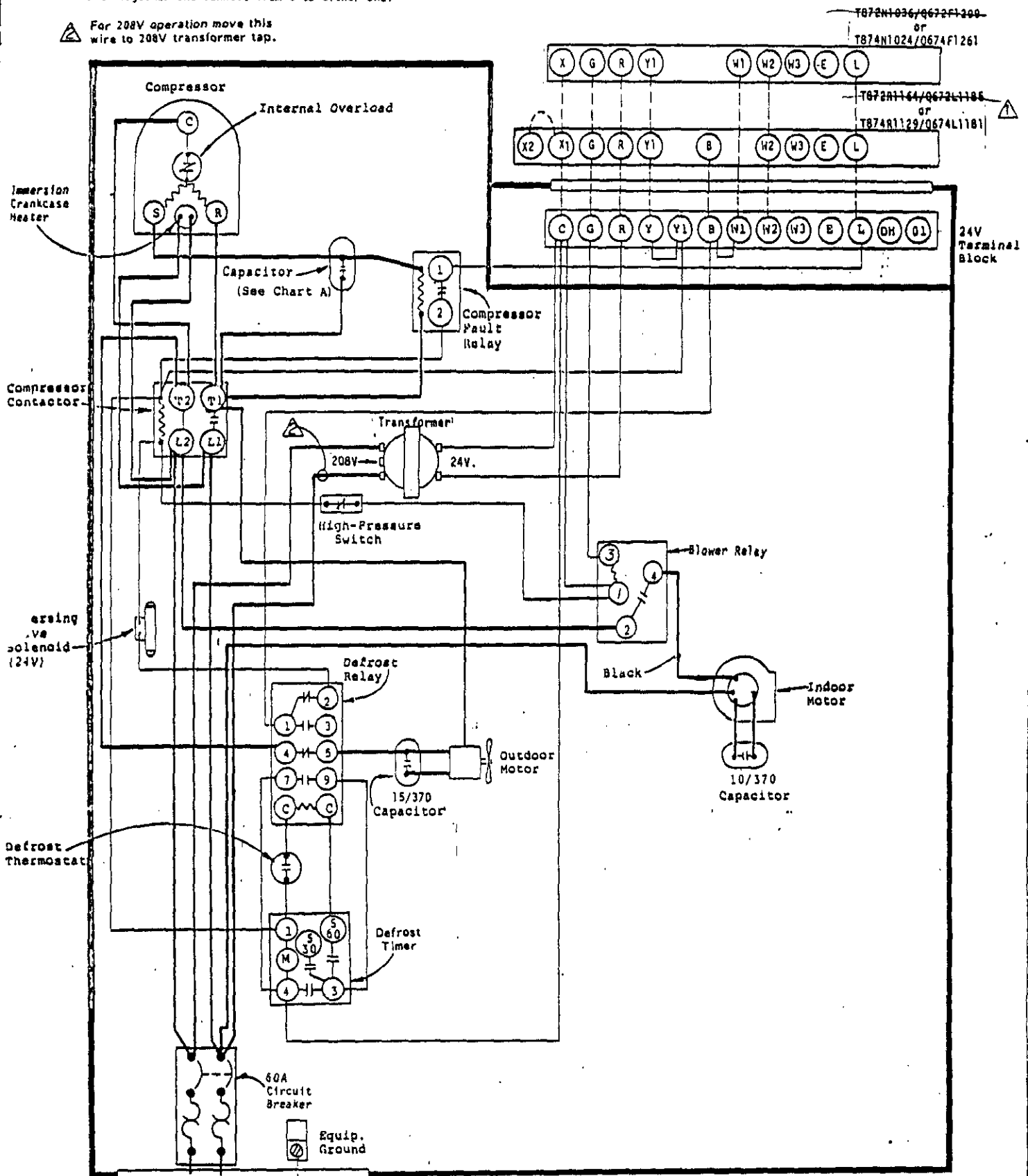


CHART A

48WH2	70/370
48WH5	40/440

MODELS
48WH2, 48WH5
HEAT PUMP
0 Kw

USE COPPER OR ALUMINUM WIRE

FACTORY WIRING	FIELD WIRING
Low Voltage	-----
High Voltage	-----

230/208-60-1

4014-111A