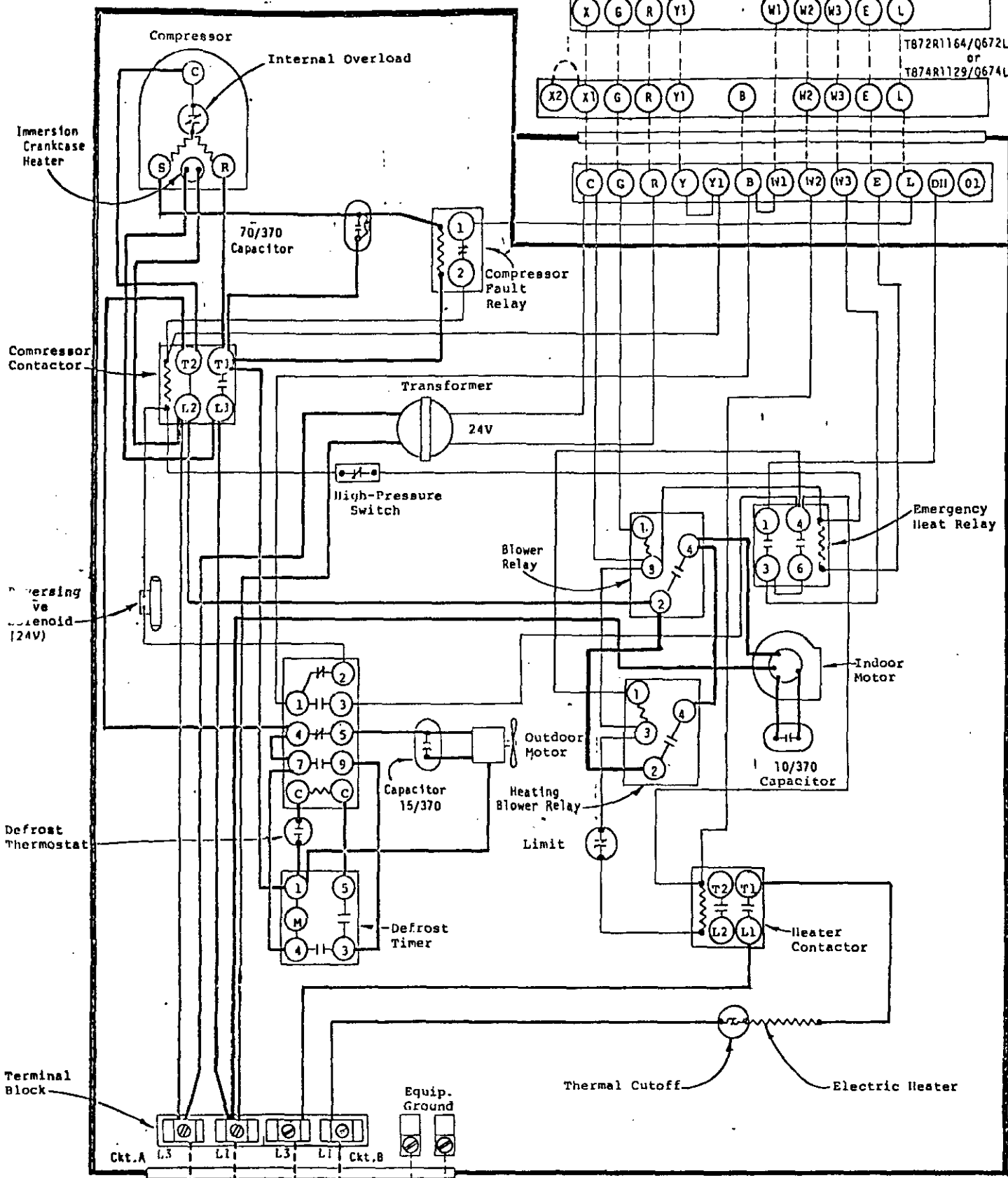


⚠ If there is an X1 and X2 terminal on Q674L1181, jumper them together and connect from C to either one.

T872N1036/Q672F1299
OR
T874N1024/Q674F1261

T872R1164/Q672L1185
OR
T874R1129/Q674L1181

24V
Terminal
Block



Terminal Block

Ckt. A L3 L1 L3 L1 Ckt. B

Equip. Ground

Fused Disconnect Switch

USE COPPER OR ALUMINUM WIRE

FACTORY WIRING	FIELD WIRING
Low Voltage ———	-----
High Voltage ———	-----

MODEL
4BWH2
HEAT PUMP
5 Kw