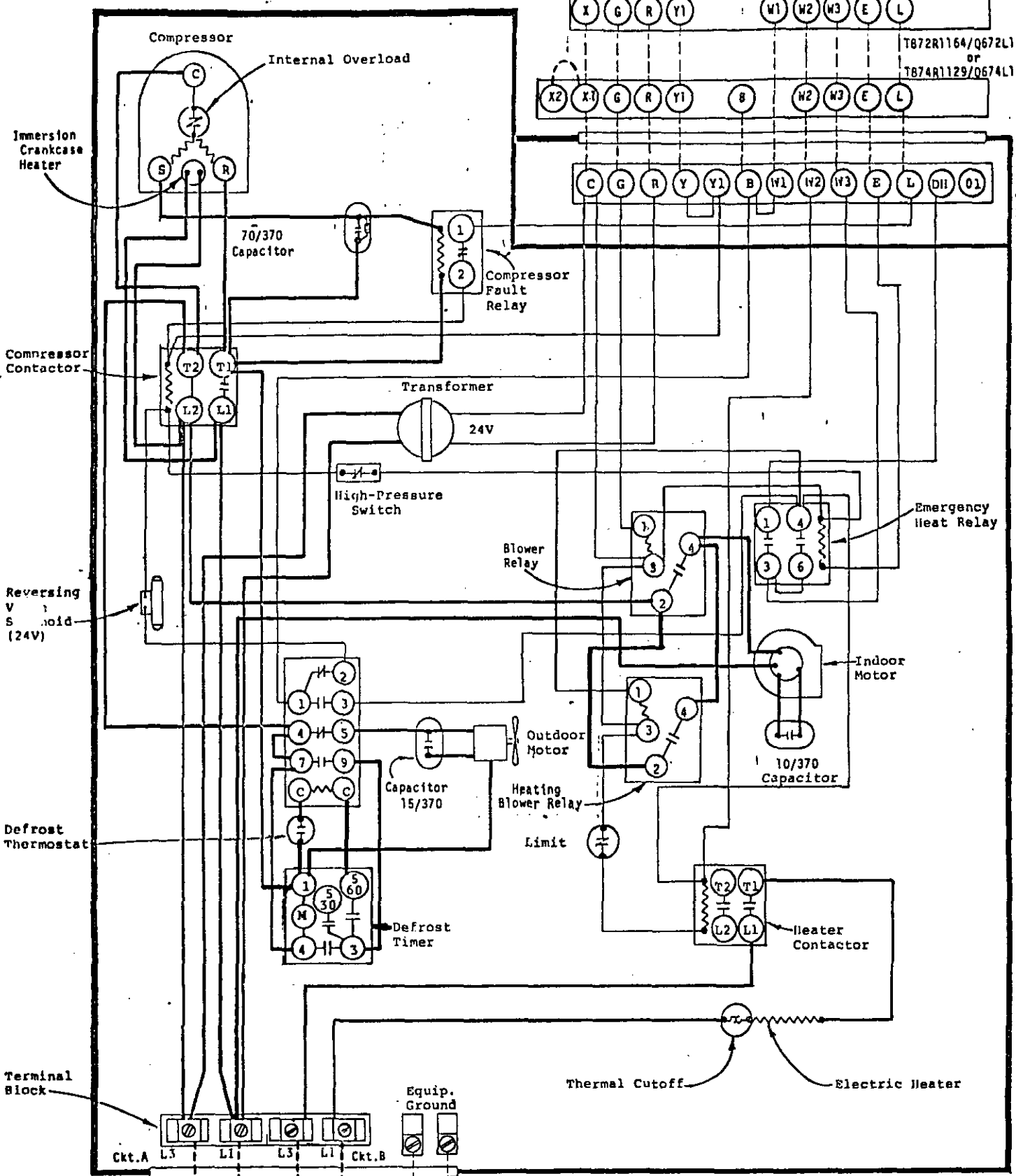


⚠ If there is an X1 and X2 terminal on Q674L1181, jumper them together and connect from C to either one.

T872N1036/Q672F1299  
OR  
T874N1024/Q674F1261

T872R1164/Q672L1185  
OR  
T874R1129/Q674L1181

24V  
Terminal  
Block



Terminal  
Block

Defrost  
Thermostat

Reversing  
V  
S  
Solenoid  
(24V)

Compressor  
Contactor

Immersion  
Crankcase  
Heater

Fused  
Disconnect  
Switch

Equip.  
Ground

USE COPPER OR  
ALUMINUM WIRE

FACTORY WIRING	FIELD WIRING
Low Voltage ———	-----
High Voltage ———	-----

MODEL . .  
48WH2  
HEAT PUMP  
5 Kw