

⚠ If there is an X1 and X2 terminal on Q674L1181, jumper them together and connect from C to either one.

⚠ For 208V operation move this wire to 208V transformer tap.

T872N1036/Q672F1299  
or  
T874N1024/Q674F1261

T872R1164/Q672L1185  
or  
T874R1129/Q674L1181

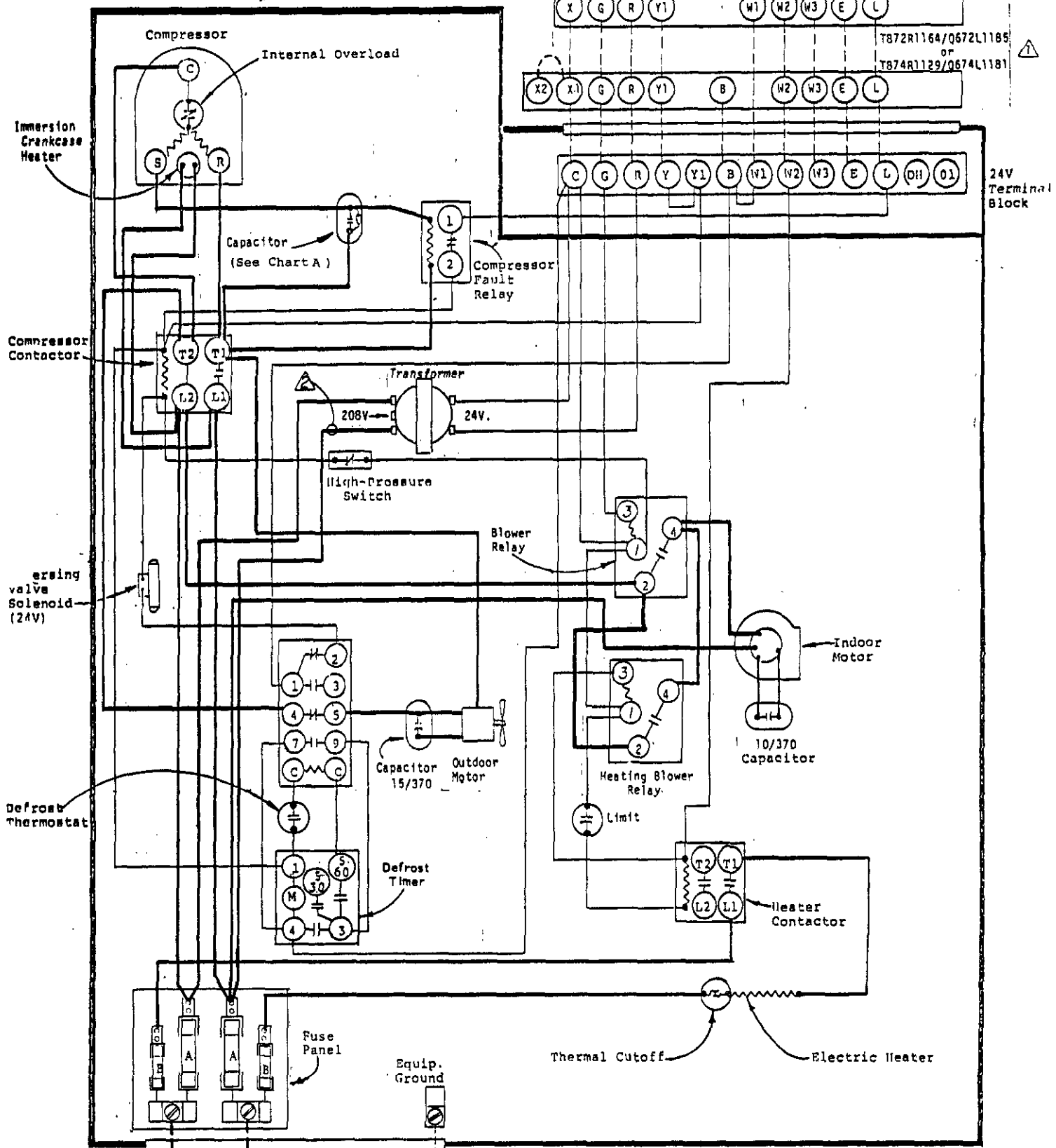


CHART A

48WH2	70/370
48WH5	40/440

MODEL  
48WH12, 48WH5  
HEAT PUMP  
5 KW

USE COPPER OR ALUMINUM WIRE

FACTORY WIRING	FIELD WIRING
Low Voltage	-----
High Voltage	-----

Fuse A - 60A Time Delay  
Fuse B - 30A Standard

230/208-60-1