

⚠ If there is an X1 and X2 terminal on Q674L1181, Jumper them together and connect from C to either one.

⚠ For 108V operation move this wire to 208V transformer tap.

T872N1036/Q672F1299
or
T874N1024/Q674F1261

T872R1164/Q672L1185
or
T874R1129/Q674L1181

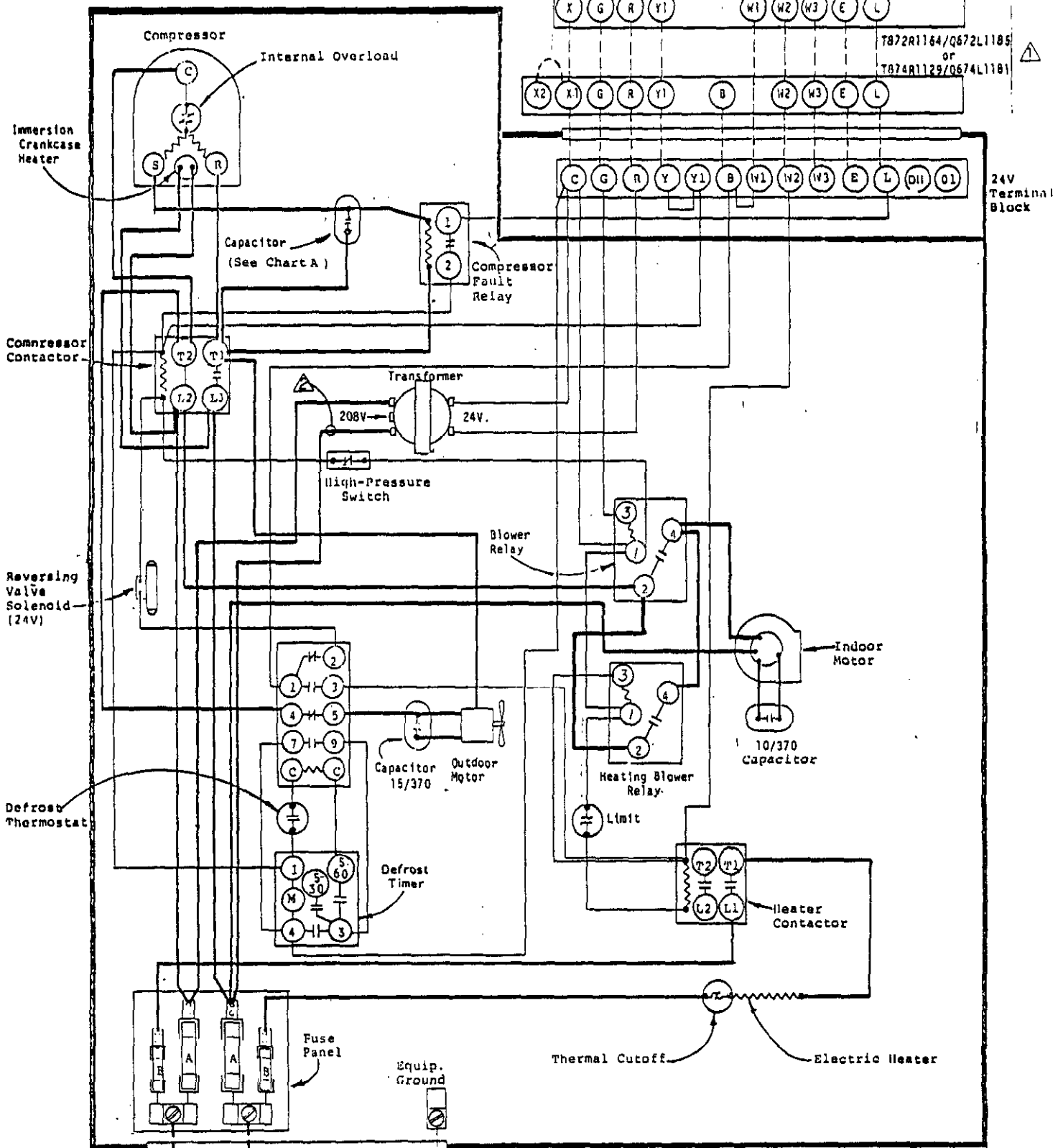


CHART A

48WH2	70/370
48WI:5	40/440

MODEL
48WH2, 48WH5
HEAT PUMP
5 Kw

Fuse A - 60A Time Delay
Fuse B - 30A Standard

USE COPPER OR ALUMINUM WIRE

	FACTORY WIRING	FIELD WIRING
Low Voltage	—	- - - - -
High Voltage	—	- - - - -

4014-120.K