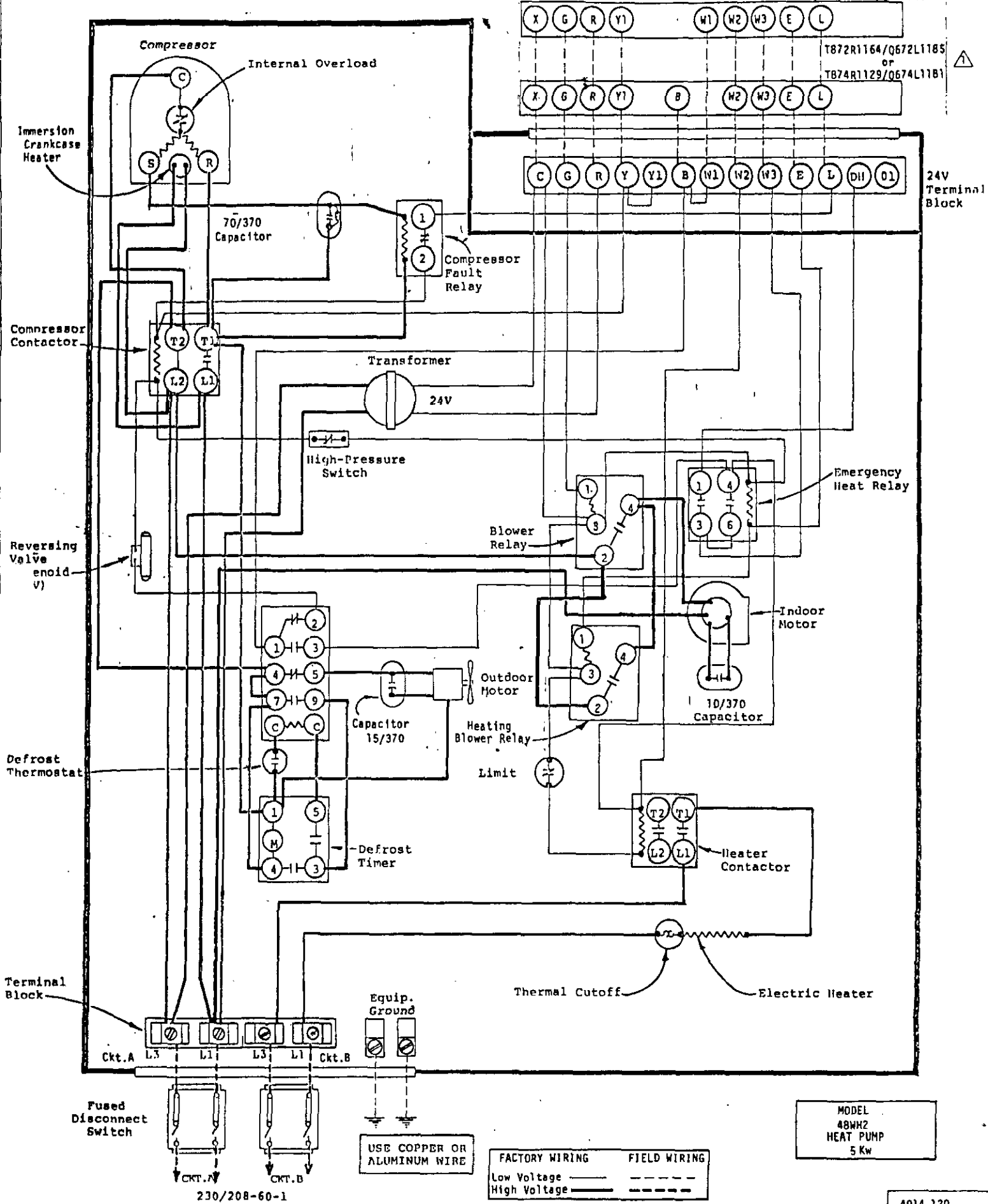


⚠ If there is an X1 and X2 terminal on Q674L1181, Jumper them together and connect from C to either one.

T872N1036/Q672F1299
or
T874N1024/Q674F1261

T872R1164/Q672L1185
or
T874R1129/Q674L1181

24V
Terminal
Block



MODEL
48WH2
HEAT PUMP
5 Kw

FACTORY WIRING	FIELD WIRING
Low Voltage ———	-----
High Voltage ———	-----

USE COPPER OR ALUMINUM WIRE

Fused Disconnect Switch