

⚠ If there is an X1 and X2 terminal on Q674L1181, Jumper them together and connect from C to either one.

⚠ For 208V operation move this wire to 208V transformer tap.

TB72N1036/Q672F1299
or
TB74N1024/Q674F1261

TB72R1164/Q672L1185
or
TB74R1129/Q674L1181

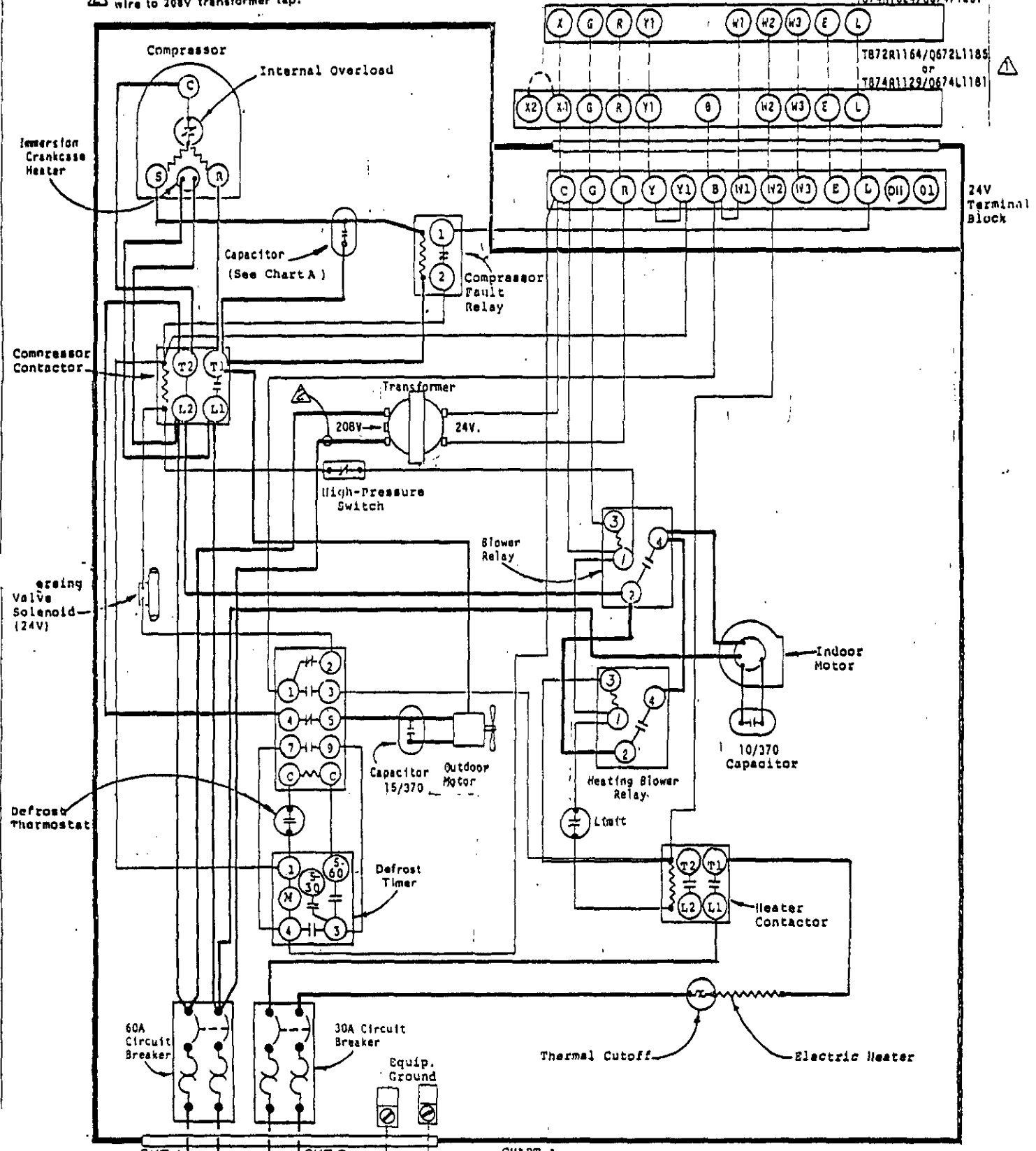


CHART A

48WH2	70/370
48WH5	40/440

MODEL
48WH2, 48WH5
HEAT PUMP
5 Kw

USE COPPER OR ALUMINUM WIRE

FACTORY WIRING	FIELD WIRING
Low Voltage	-----
High Voltage	-----

230/208-60-1