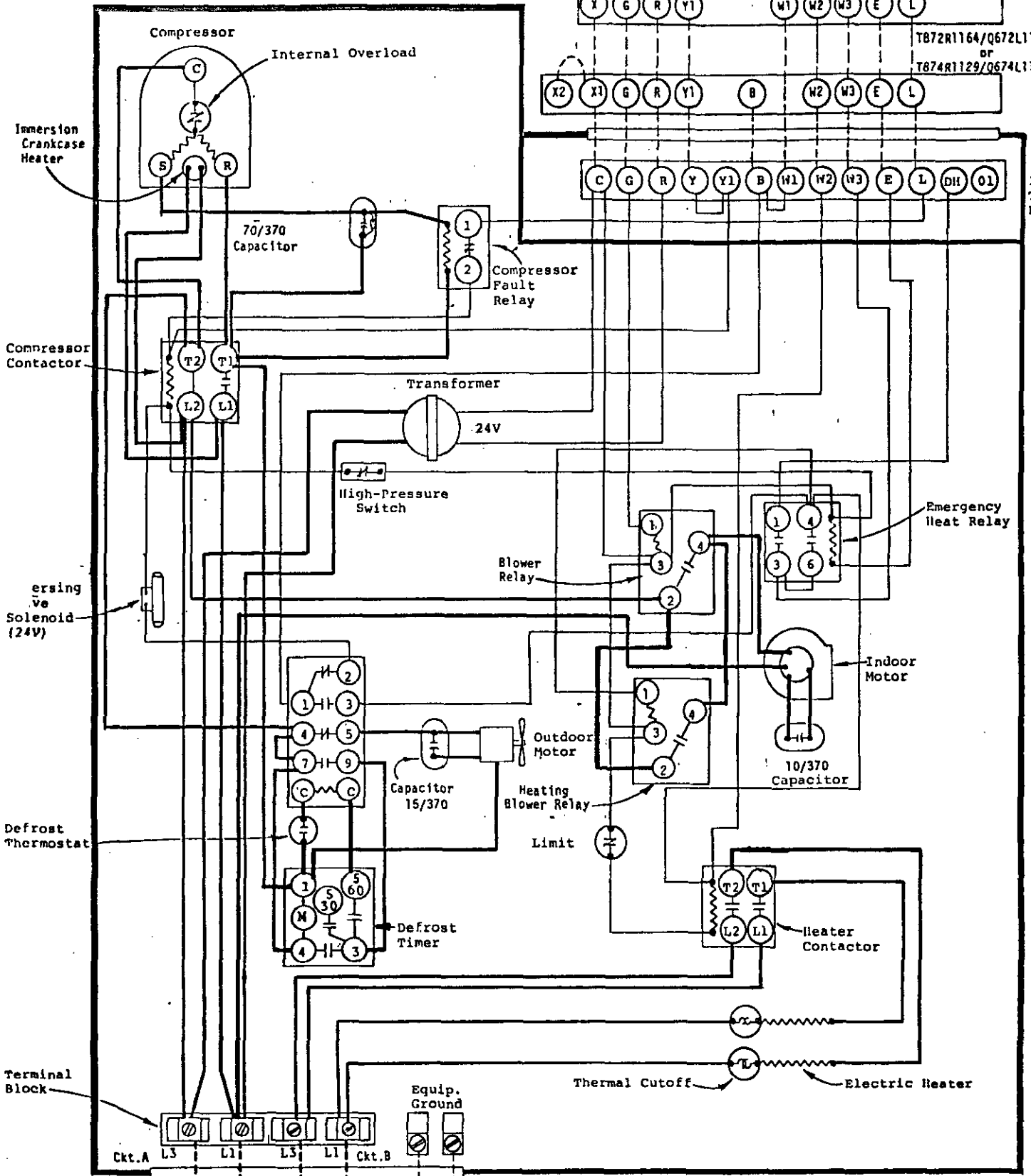


⚠ If there is an X1 and X2 terminal on Q674L1181, Jumper them together and connect from C to either one.

T872N1036/Q672F1299  
or  
T874N1024/Q674F1261

T872R1164/Q672L1185  
or  
T874R1129/Q674L1187

24V  
Terminal  
Block



Fused  
Disconnect  
Switch

230/208-60-1

USE COPPER OR  
ALUMINUM WIRE

FACTORY WIRING	FIELD WIRING
Low Voltage _____	Low Voltage - - - - -
High Voltage _____	High Voltage - - - - -

MODEL  
48WH2  
HEAT PUMP  
10 Kw

4014-130 H