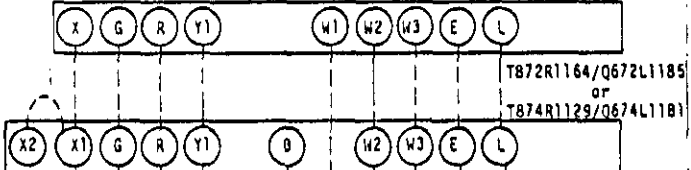


⚠ If there is an X1 and X2 terminal on Q674L1181, jumper them together and connect from C to either one.

⚠ For 208V operation move this wire to 208V transformer tap.

T872N1036/Q672F1299  
or  
T874N1024/Q674F1261



24V Terminal Block

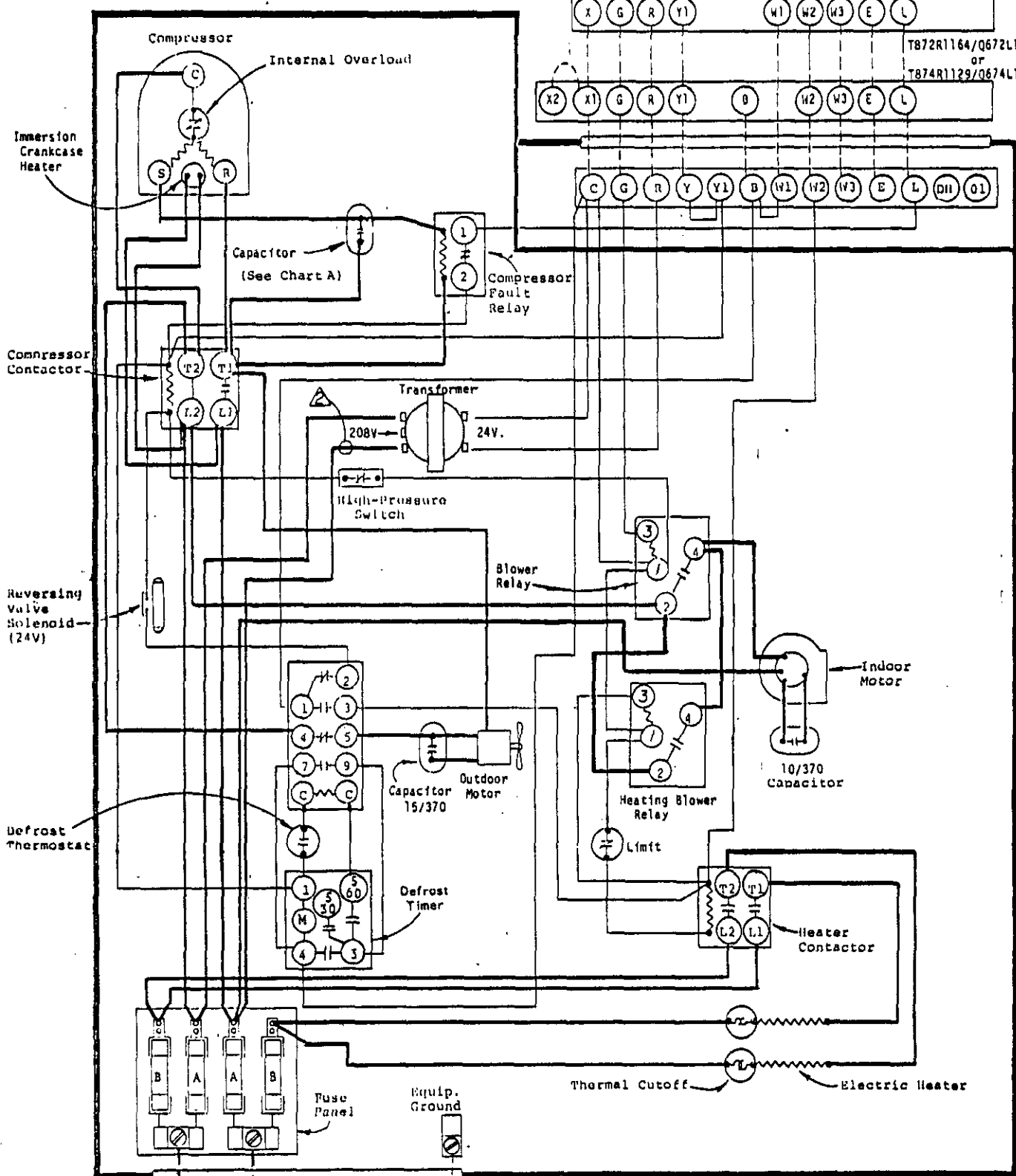


CHART A

48WH2	70/370
48WH5	40/440

Fuse A - 60A Time Delay  
Fuse B - 60A Standard

MODEL  
48WH2, 48WH5  
HEAT PUMP  
10 Kw

USE COPPER OR ALUMINUM WIRE

	FACTORY WIRING	FIELD WIRING
Low Voltage	————	-----
High Voltage	————	-----

4014-130 L