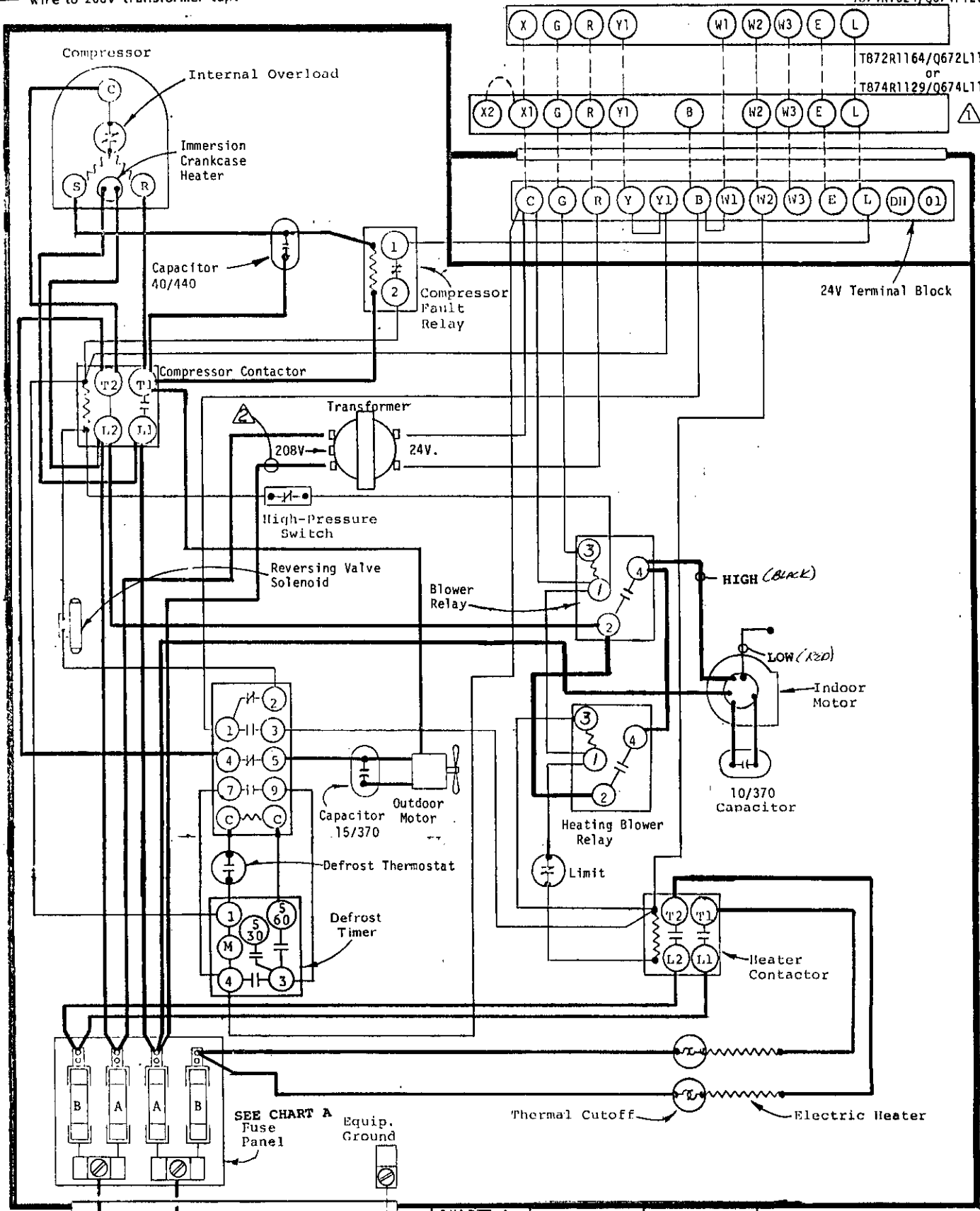


▲ If there is an X1 and X2 terminal on Q674L1181, Jumper them together and connect from C to either one.

▲ For 208V operation move this wire to 208V transformer tap.

T872N1036/Q672F1299
or
T874N1024/Q674F1261

T872R1164/Q672L1185
or
T874R1129/Q674L1181



230/208-60-1

SEE CHART A
Fuse Panel

Equip. Ground

CHART A		42WH	48WH5
Fuse A	50A Time Delay	60A Time Delay	
Fuse B	60A Standard		

ALL FUSES CLASS K5

FACTORY WIRING		FIELD WIRING	
Low Voltage	_____	_____	_____
High Voltage	_____	_____	_____

MODEL
42WH, 48WH5
HEAT PUMP
10 Kw

4014-130 S

USE COPPER OR ALUMINUM WIRE