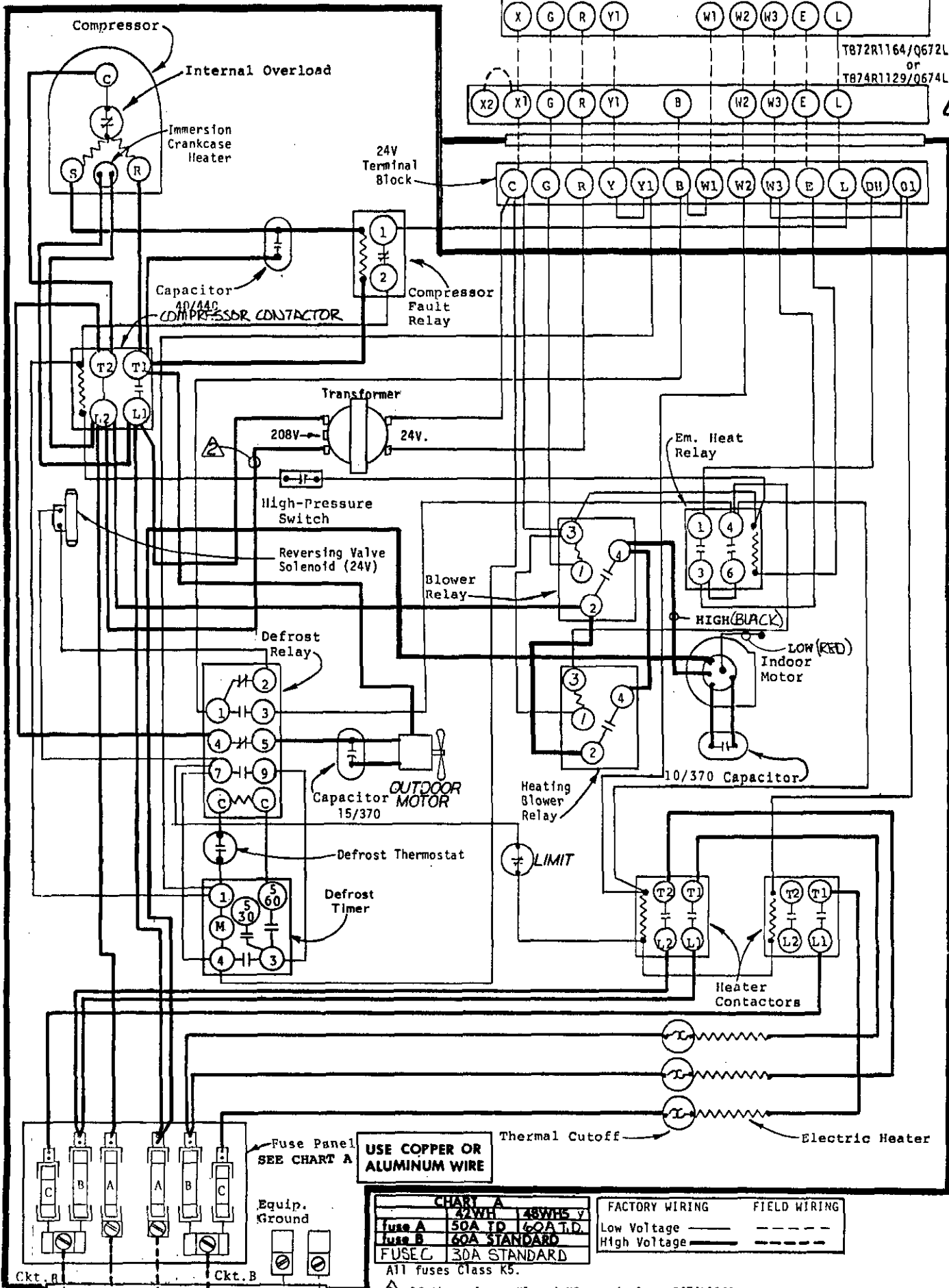


**USE COPPER OR ALUMINUM WIRE**

CHART A		FACTORY WIRING	FIELD WIRING
Fuse A	50A T.D.	Low Voltage	High Voltage
Fuse B	60A STANDARD	Low Voltage	High Voltage
FUSE C	30A STANDARD	Low Voltage	High Voltage

All fuses Class K5.

- ⚠ If there is an X1 and X2 terminal on Q674L1181, jumper them together and connect from C to either one.
- ⚠ For 208V operation move this wire to 208V transformer tap.



**USE COPPER OR ALUMINUM WIRE**

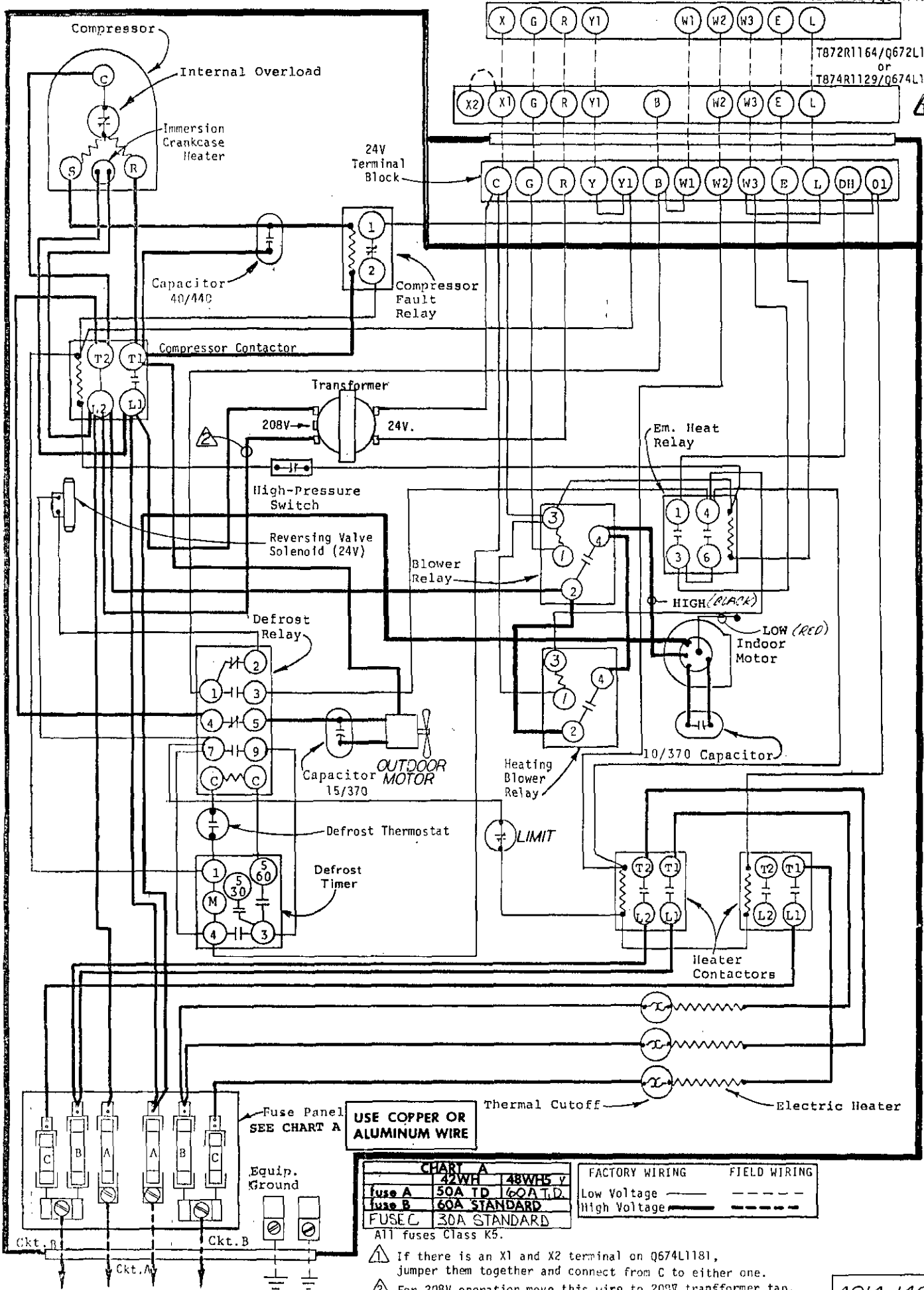
**CHART A**

	42WH	48WH5 v
Fuse A	50A I.D.	60A I.D.
Fuse B	60A STANDARD	
FUSE C	30A STANDARD	

All fuses Class K5.

	FACTORY WIRING	FIELD WIRING
Low Voltage	————	-----
High Voltage	————	-----

- ⚠ If there is an X1 and X2 terminal on Q674L1181, jumper them together and connect from C to either one.
- ⚠ For 208V operation move this wire to 208V transformer tap.



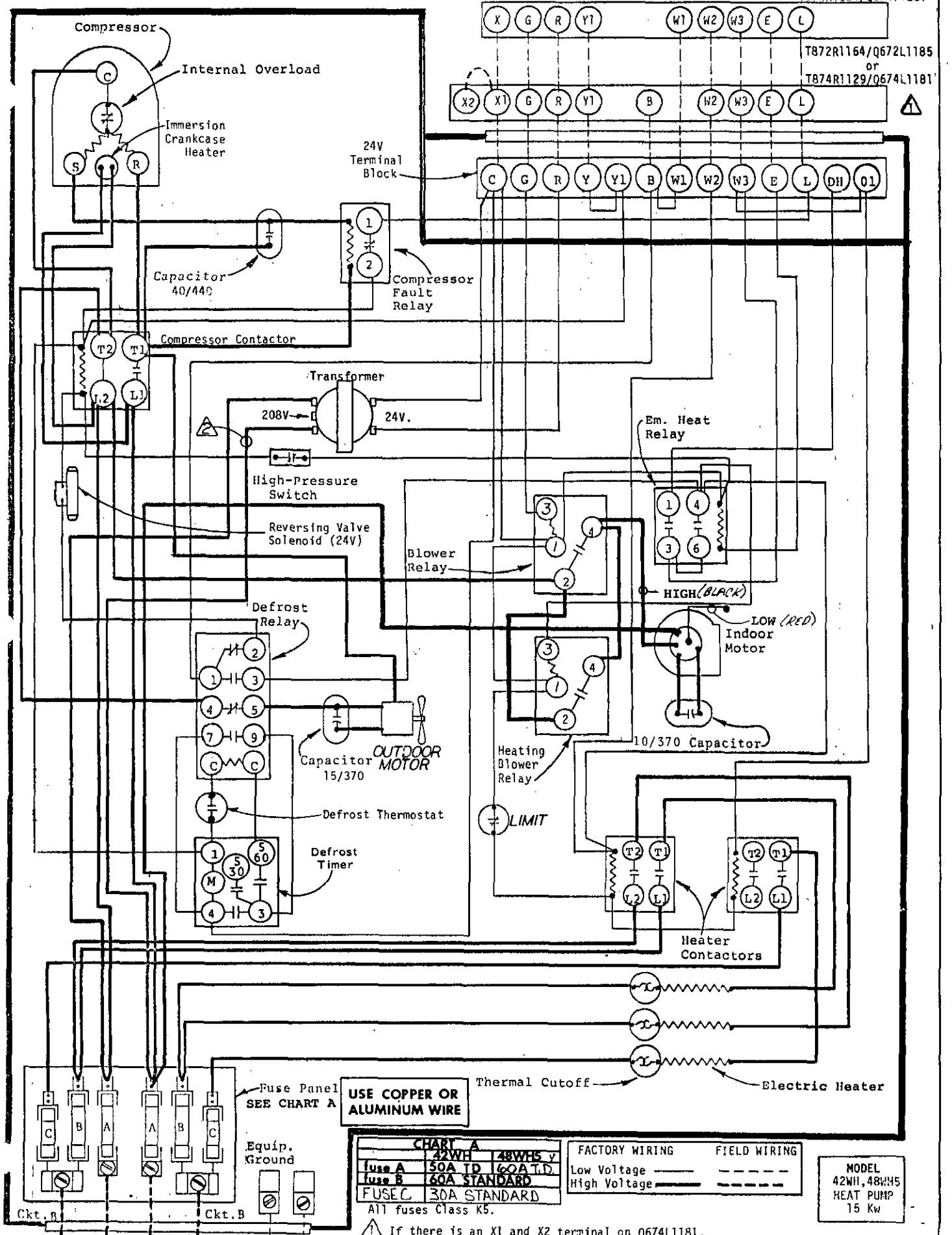
**USE COPPER OR ALUMINUM WIRE**

CHART A	
42WH	148WH5 v
fuse A	50A T.D. / 60A T.D.
fuse B	60A STANDARD
FUSE C	30A STANDARD

FACTORY WIRING	FIELD WIRING
Low Voltage	-----
High Voltage	-----

All fuses Class K5.

- ⚠ If there is an X1 and X2 terminal on Q674L1181, jumper them together and connect from C to either one.
- ⚠ For 208V operation move this wire to 208V transformer tap.



**USE COPPER OR ALUMINUM WIRE**

**CHART A**

	42WH	48WH5 v
Fuse A	50A T.D.	60A T.D.
Fuse B	60A STANDARD	
FUSE C	30A STANDARD	

All fuses Class K5.

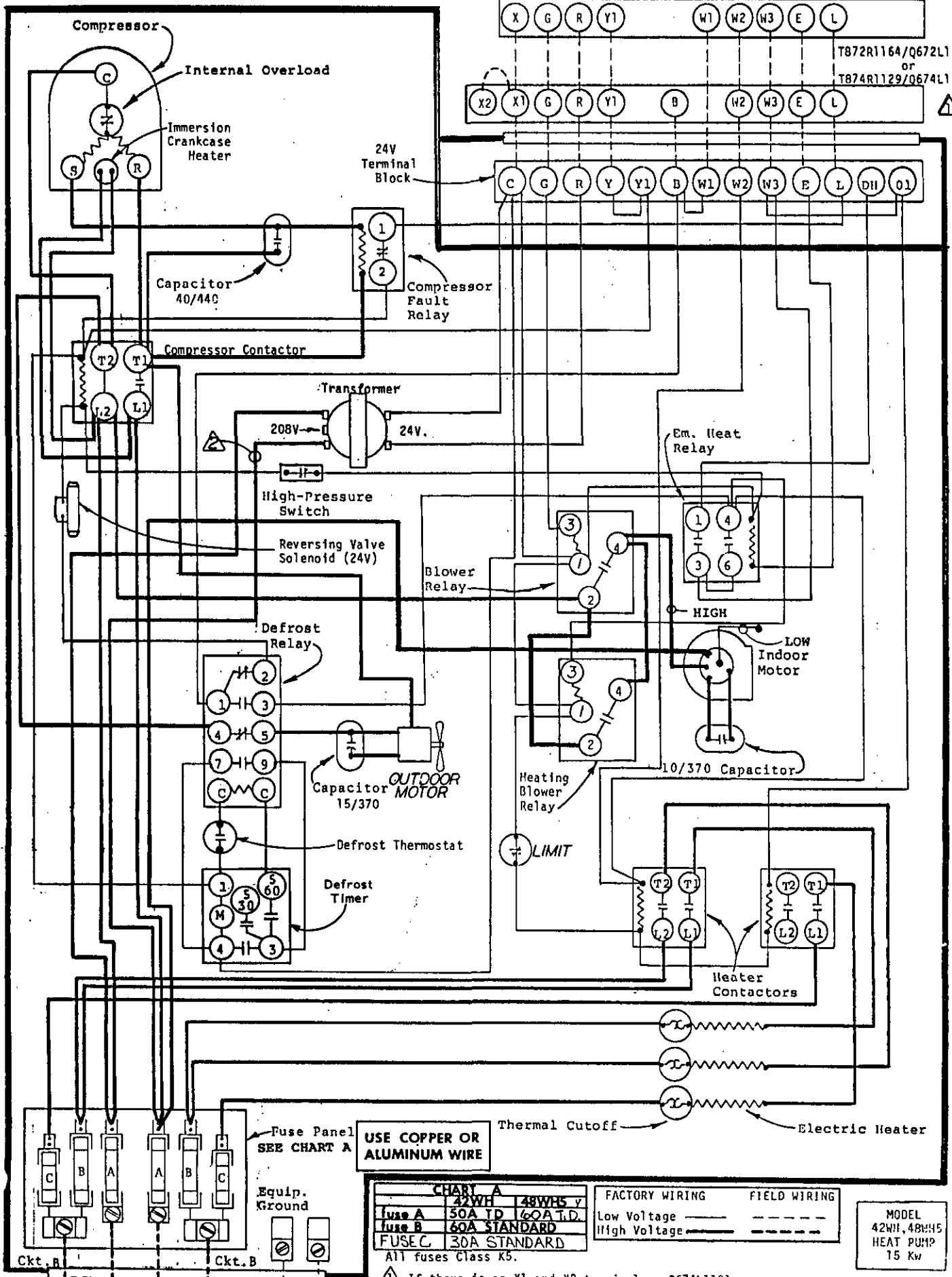
	FACTORY WIRING	FIELD WIRING
Low Voltage	_____	-----
High Voltage	_____	-----

**MODEL**  
42WH, 48WH5  
HEAT PUMP  
15 Kw

- ⚠ If there is an X1 and X2 terminal on Q674L1181, jumper them together and connect from C to either one.
- ⚠ For 208V operation move this wire to 208V transformer tap.

T872N1036/Q672F1299  
or  
T874N1024/Q674F1261

T872R1164/Q672L1185  
or  
T874R1129/Q674L1181



**USE COPPER OR ALUMINUM WIRE**

**CHART A**

Fuse A	42WH	48WH5 v
Fuse B	50A TD	60A T.D.
FUSE C	30A STANDARD	

ALL fuses Class K5.

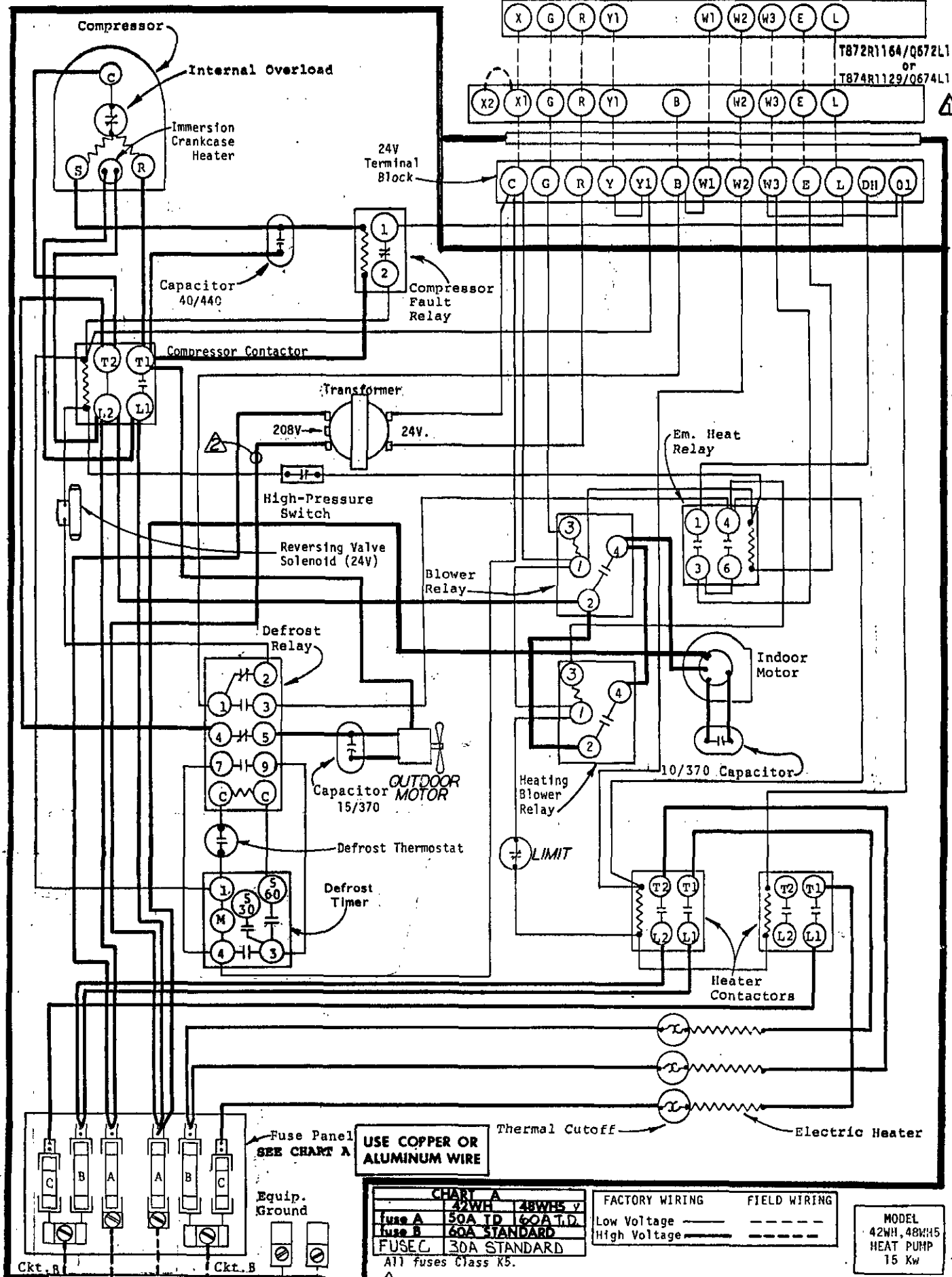
	FACTORY WIRING	FIELD WIRING
Low Voltage	_____	-----
High Voltage	-----	_____

MODEL  
42WH, 48WH5  
HEAT PUMP  
15 Kw

- ⚠ If there is an X1 and X2 terminal on Q674L1181, jumper them together and connect from C to either one.
- ⚡ For 208V operation move this wire to 208V transformer tap.

T872N1036/Q672F1299  
or  
T874N1024/Q674F1261

T872R1164/Q672L1185  
or  
T874R1129/Q674L1181



**USE COPPER OR ALUMINUM WIRE**

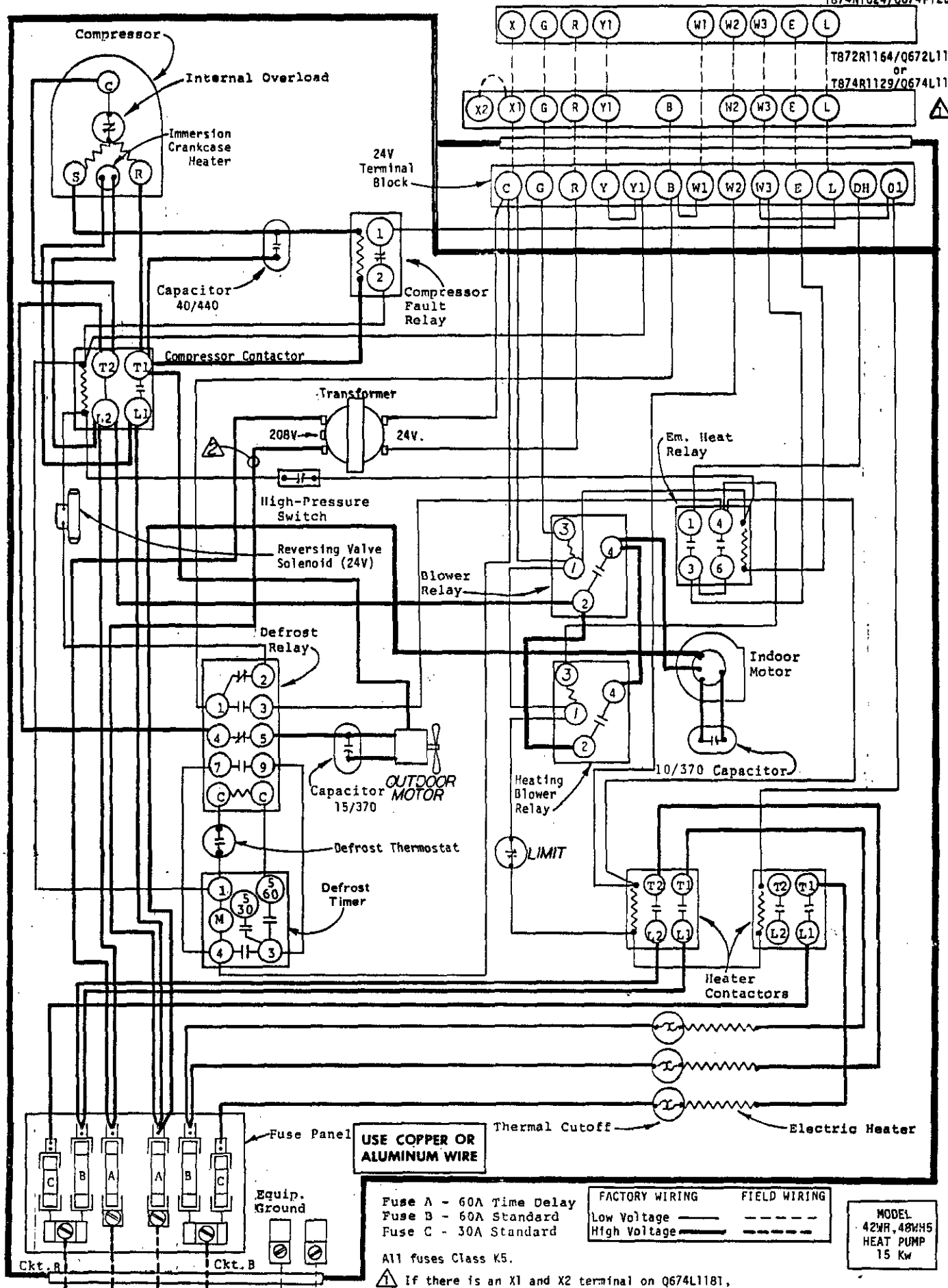
CHART A		FACTORY WIRING	FIELD WIRING
Fuse A	42WH 16A T.D.	Low Voltage	-----
Fuse B	60A STANDARD	High Voltage	-----
FUSE C	30A STANDARD		

Low Voltage -----  
High Voltage -----

MODEL  
42WH, 48WH5  
HEAT PUMP  
15 Kw

- ⚠ If there is an X1 and X2 terminal on Q674L1181, jumper them together and connect from C to either one.
- ⚠ For 208V operation move this wire to 208V transformer tap.

T872N1036/Q672F1299  
 or  
 T874N1024/Q674F1261  
 T872R1164/Q672L1185  
 or  
 T874R1129/Q674L1181



**USE COPPER OR ALUMINUM WIRE**

Fuse A - 60A Time Delay  
 Fuse B - 60A Standard  
 Fuse C - 30A Standard

	FACTORY WIRING	FIELD WIRING
Low Voltage	—————	- - - - -
High Voltage	—————	- - - - -

MODEL  
 42WR, 48WH5  
 HEAT PUMP  
 15 Kw

All fuses Class K5.  
 ⚠ If there is an X1 and X2 terminal on Q674L1181, jumper them together and connect from C to either one.  
 ⚠ For 208V operation move this wire to 208V transformer tap.

230/208-60-1

4014-140M

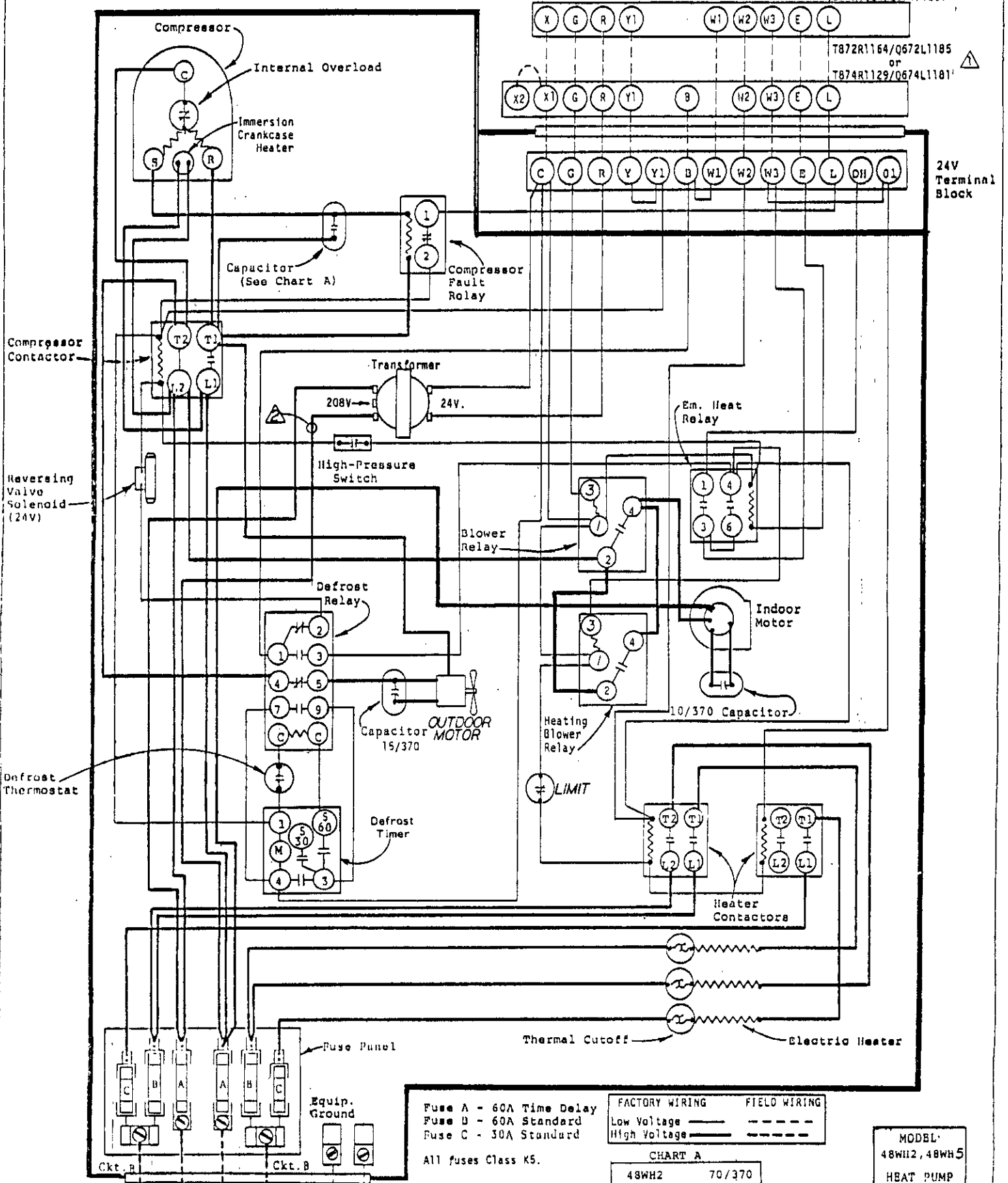
⚠ If there is an X1 and X2 terminal on Q674L1181, jumper them together and connect from C to either one.

⚠ For 208V operation move this wire to 208V transformer tap.

T872N1036/Q672F1299  
or  
T874N1024/Q674F1261

T872R1164/Q672L1185  
or  
T874R1129/Q674L1181

24V  
Terminal  
Block



USE COPPER OR ALUMINUM WIRE  
230/208-60-1

Fuse A - 60A Time Delay  
Fuse B - 60A Standard  
Fuse C - 30A Standard  
All fuses Class K5.

FACTORY WIRING		FIELD WIRING	
Low Voltage	-----	-----	-----
High Voltage	-----	-----	-----

CHART A

48WH2	70/370
48WH5	40/440

MODEL:  
48WH2, 48WH5  
HEAT PUMP  
15 KW

4014-140L



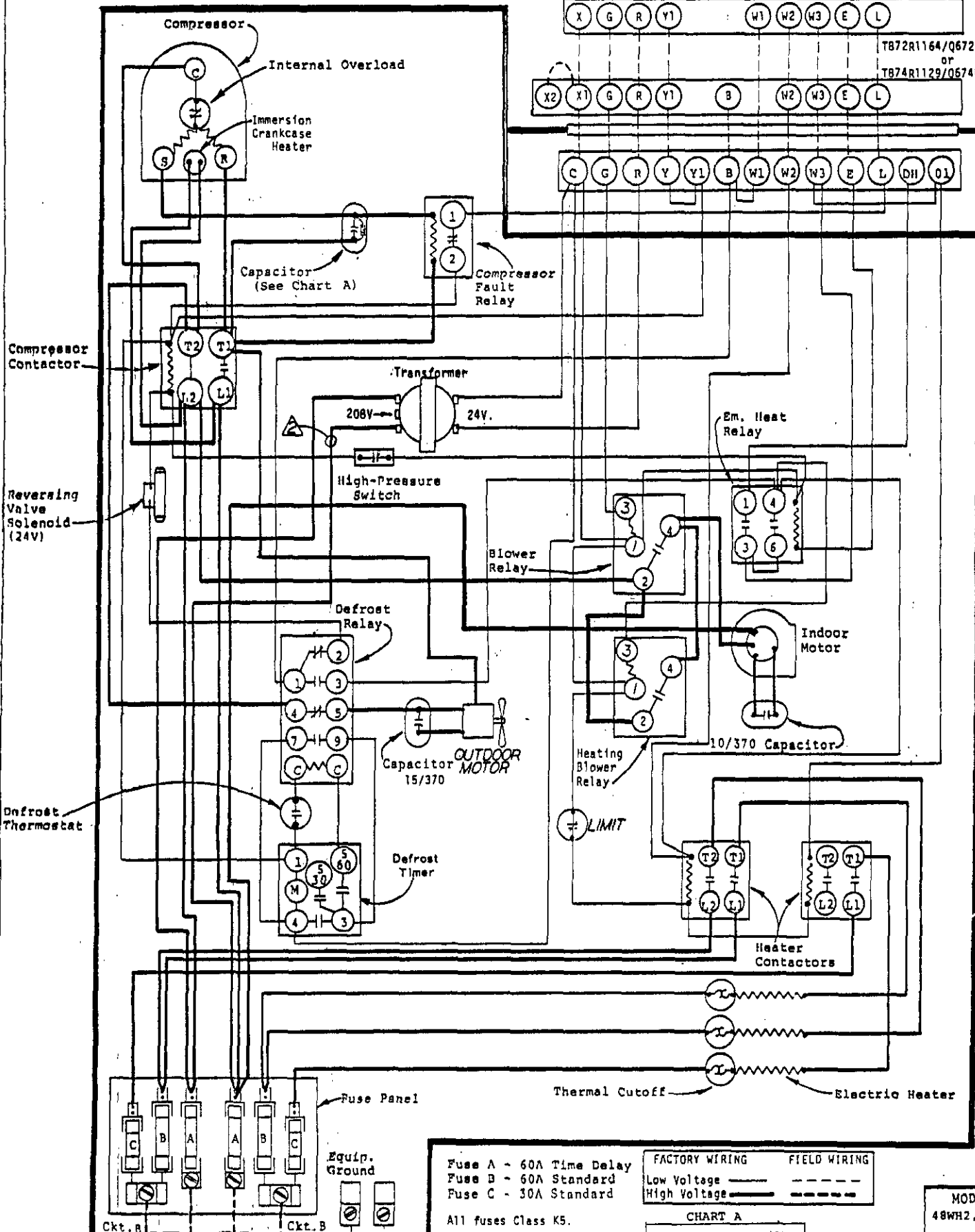
⚠ If there is an X1 and X2 terminal on Q674L1181, jumper them together and connect from G to either one.

⚠ For 208V operation move this wire to 208V transformer tap.

T872N1036/Q672F1299  
or  
T874N1024/Q674F1261

T872R1164/Q672L1185  
or  
T874R1129/Q674L1181

24V Terminal Block



Fuse A - 60A Time Delay  
Fuse B - 60A Standard  
Fuse C - 30A Standard

FACTORY WIRING		FIELD WIRING	
Low Voltage	High Voltage	Low Voltage	High Voltage
---	---	---	---
---	---	---	---

All fuses Class K5.

CHART A

48WH2	70/370
48WH5	40/440

MODEL  
48WH2, 48WH5  
HEAT PUMP  
15 Kw

USE COPPER OR ALUMINUM WIRE

230/208-60-1

⚠ If there is an X1 and X2 terminal on Q674L1181, Jumper them together and connect from C to either one.

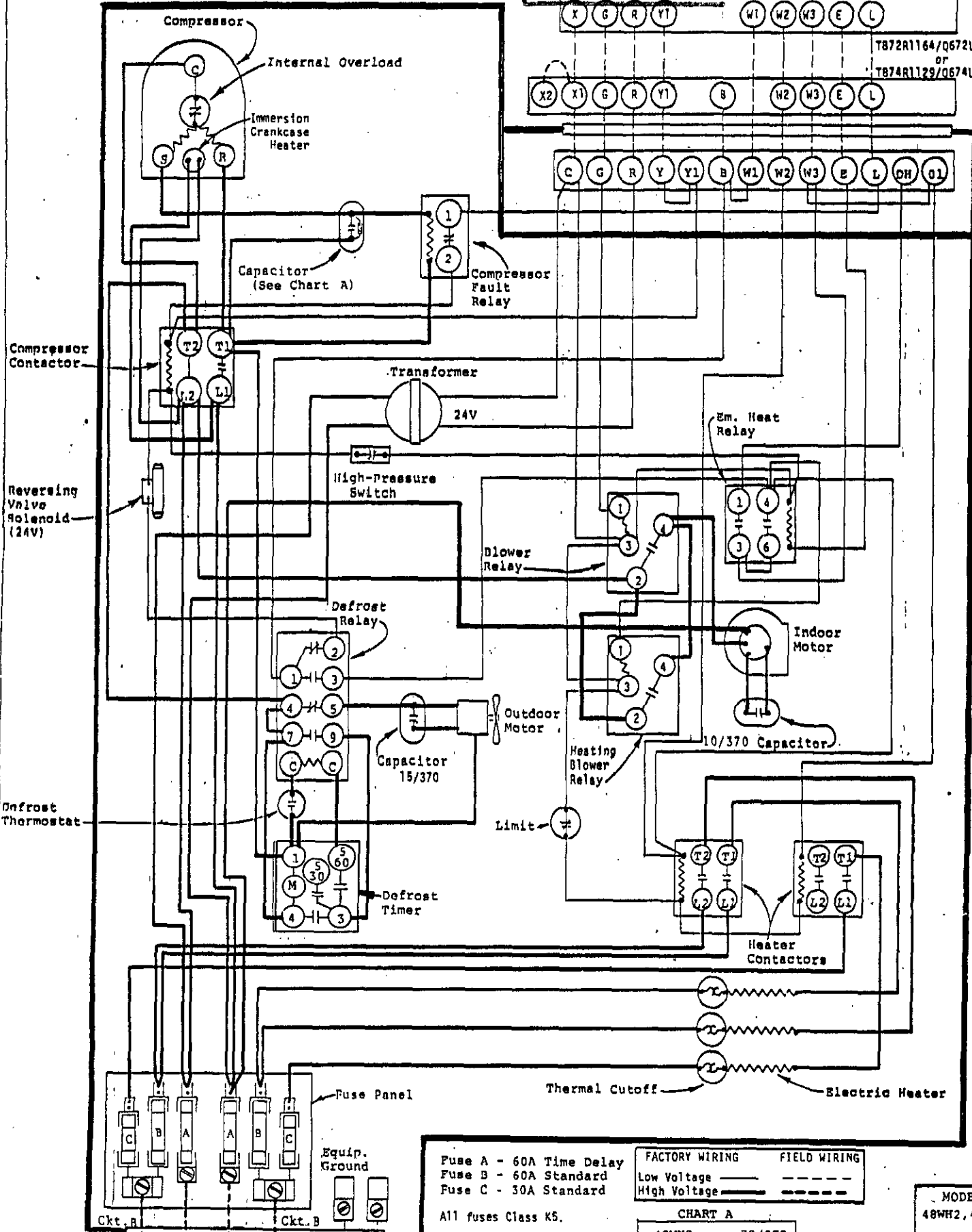
**REVISED DIAGRAM  
REPLACES**

DATE \_\_\_\_\_

T872N1036/Q672F1299  
OR  
T874N1024/Q674F1261

T872R1164/Q672L1185  
OR  
T874R1129/Q674L1181

24V  
Terminal  
Block



USE COPPER OR ALUMINUM WIRE

230/208-60-1

Fuse A - 60A Time Delay  
Fuse B - 60A Standard  
Fuse C - 30A Standard  
All fuses Class K5.

FACTORY WIRING		FIELD WIRING	
Low Voltage		High Voltage	
48WH2	70/370	---	---
48WH4	40/440	---	---

**CHART A**

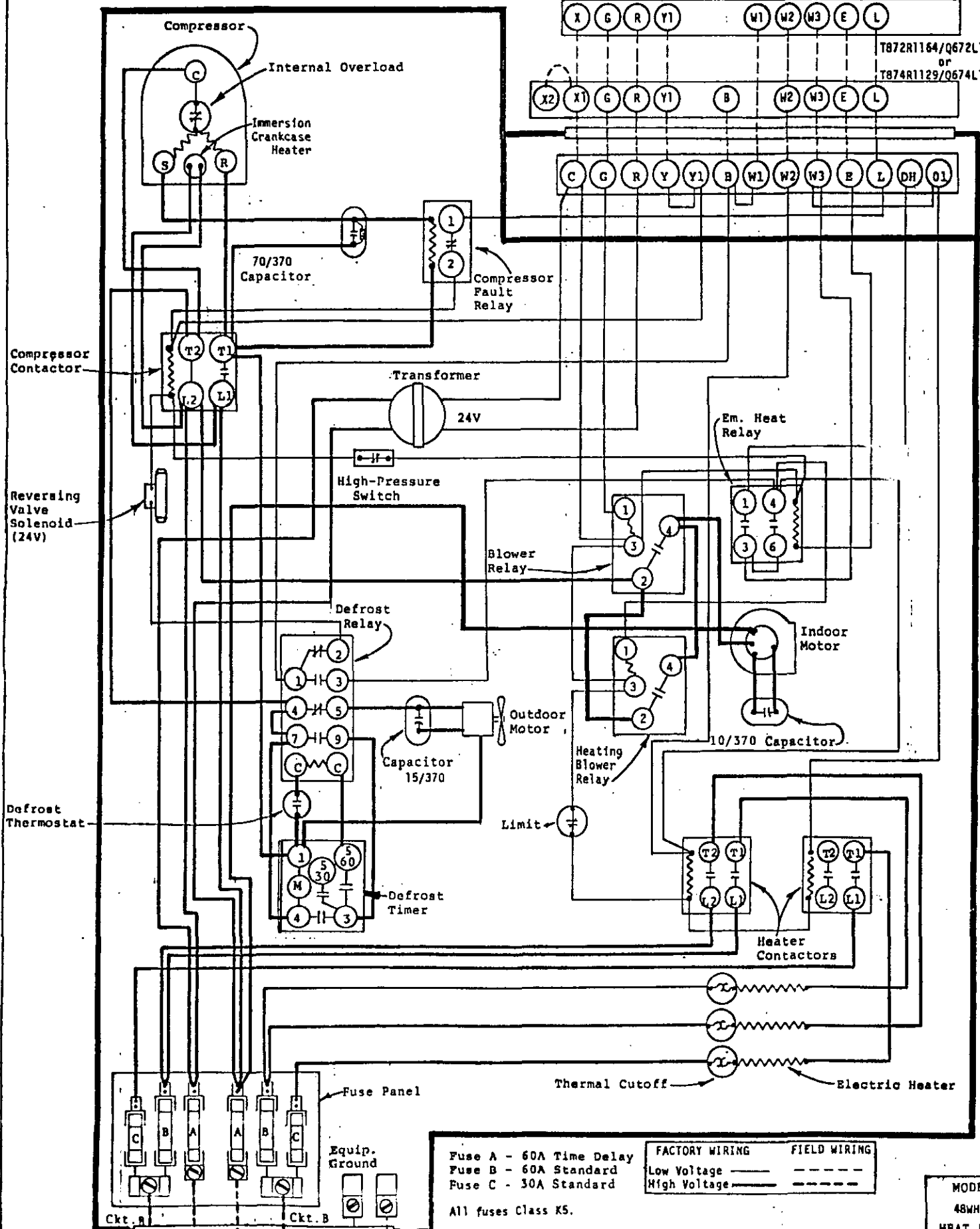
MODEL:  
48WH2, 48WH4  
HEAT PUMP  
15 Kw

⚠ If there is an X1 and X2 terminal on Q674L1181, jumper them together and connect from C to either one.

T872N1036/Q672F1299  
or  
T874N1024/Q674F1261

T872R1164/Q672L1185  
or  
T874R1129/Q674L1181

24V  
Terminal  
Block



USE COPPER OR ALUMINUM WIRE

230/208-60-1

Fuse A - 60A Time Delay	FACTORY WIRING	FIELD WIRING
Fuse B - 60A Standard	Low Voltage	-----
Fuse C - 30A Standard	High Voltage	-----

All fuses Class K5.

MODEL  
48WH2  
HEAT PUMP  
15 Kw

⚠ If there is an X1 and X2 terminal on Q674L11B1, jumper them together and connect from C to either one.

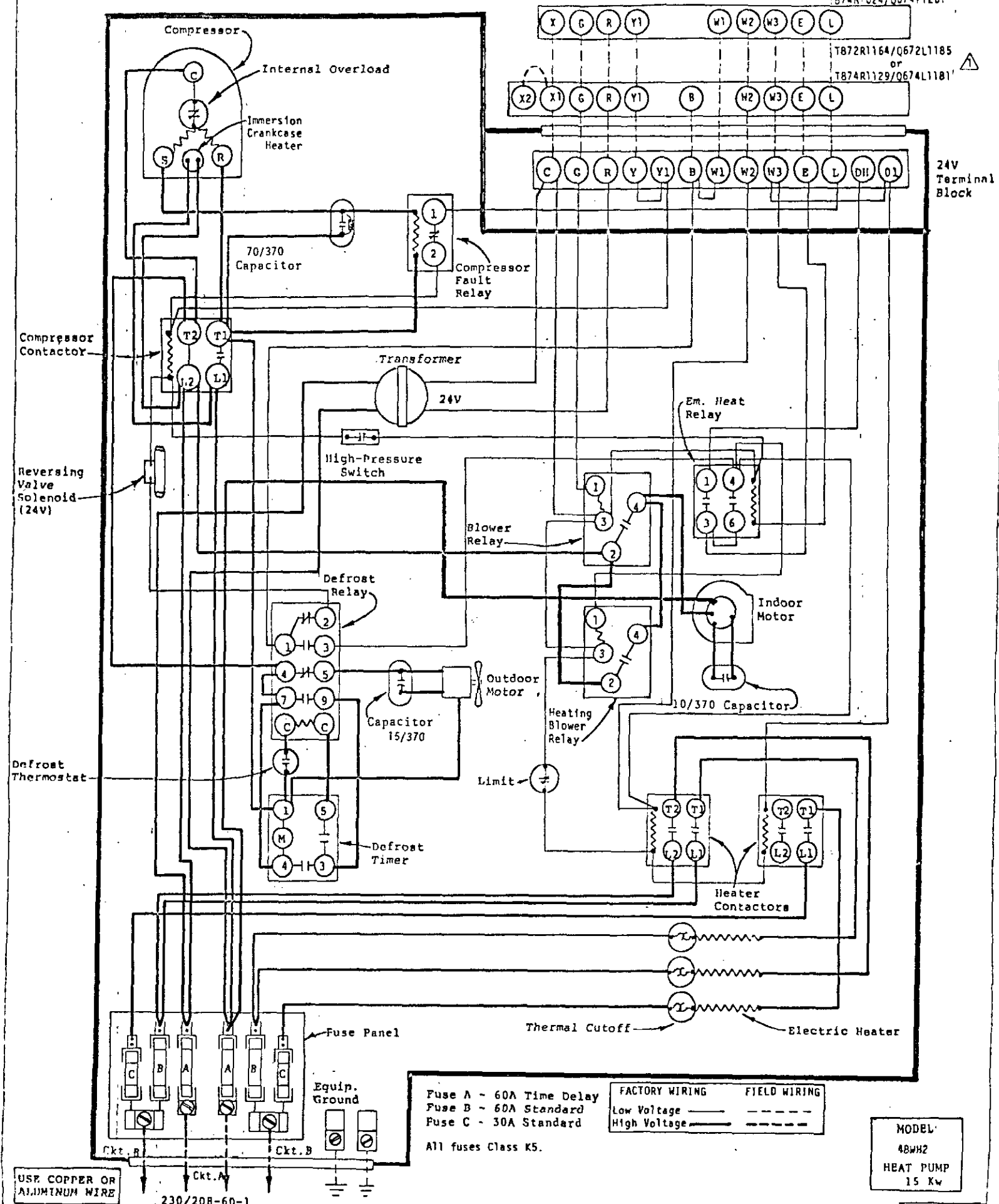
T872N1036/Q672F1299

or  
T874N1024/Q674F1261

T872R1164/Q672L1185

or  
T874R1129/Q674L1181

24V  
Terminal  
Block

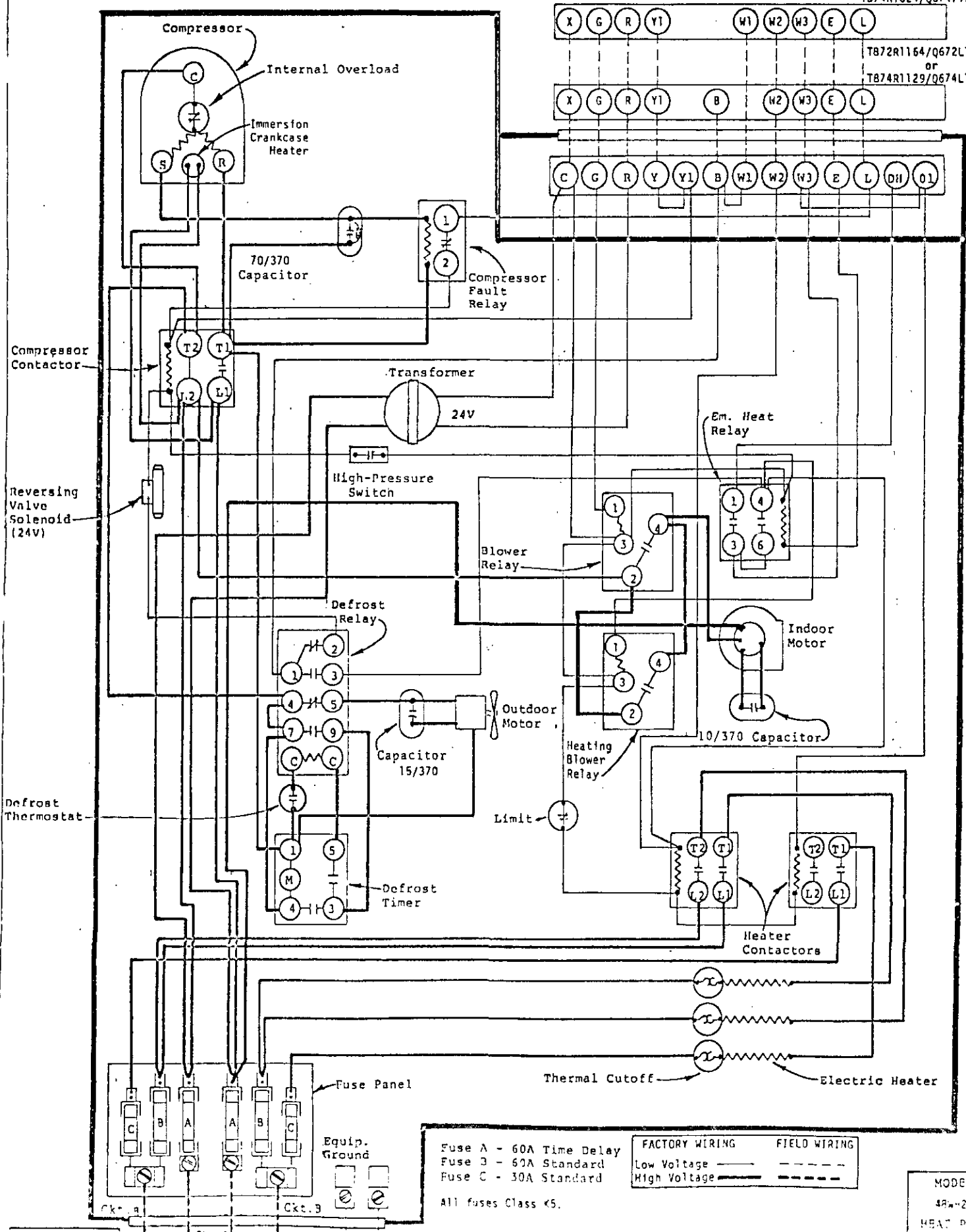


⚠ If there is an X1 and X2 terminal on Q674L1181; jumper them together and connect from C to either one.

T872N1036/Q672F1299  
or  
T874N1024/Q674F1261

T872R1164/Q672L1185  
or  
T874R1129/Q674L1181

24V  
Terminal  
Block



Fuse A - 60A Time Delay  
Fuse B - 60A Standard  
Fuse C - 30A Standard

FACTORY WIRING	FIELD WIRING
Low Voltage	-----
High Voltage	-----

All fuses Class K5.

MODEL  
4R-2  
HEAT P. HP  
15 K.

USE COPPER OR ALUMINUM WIRE

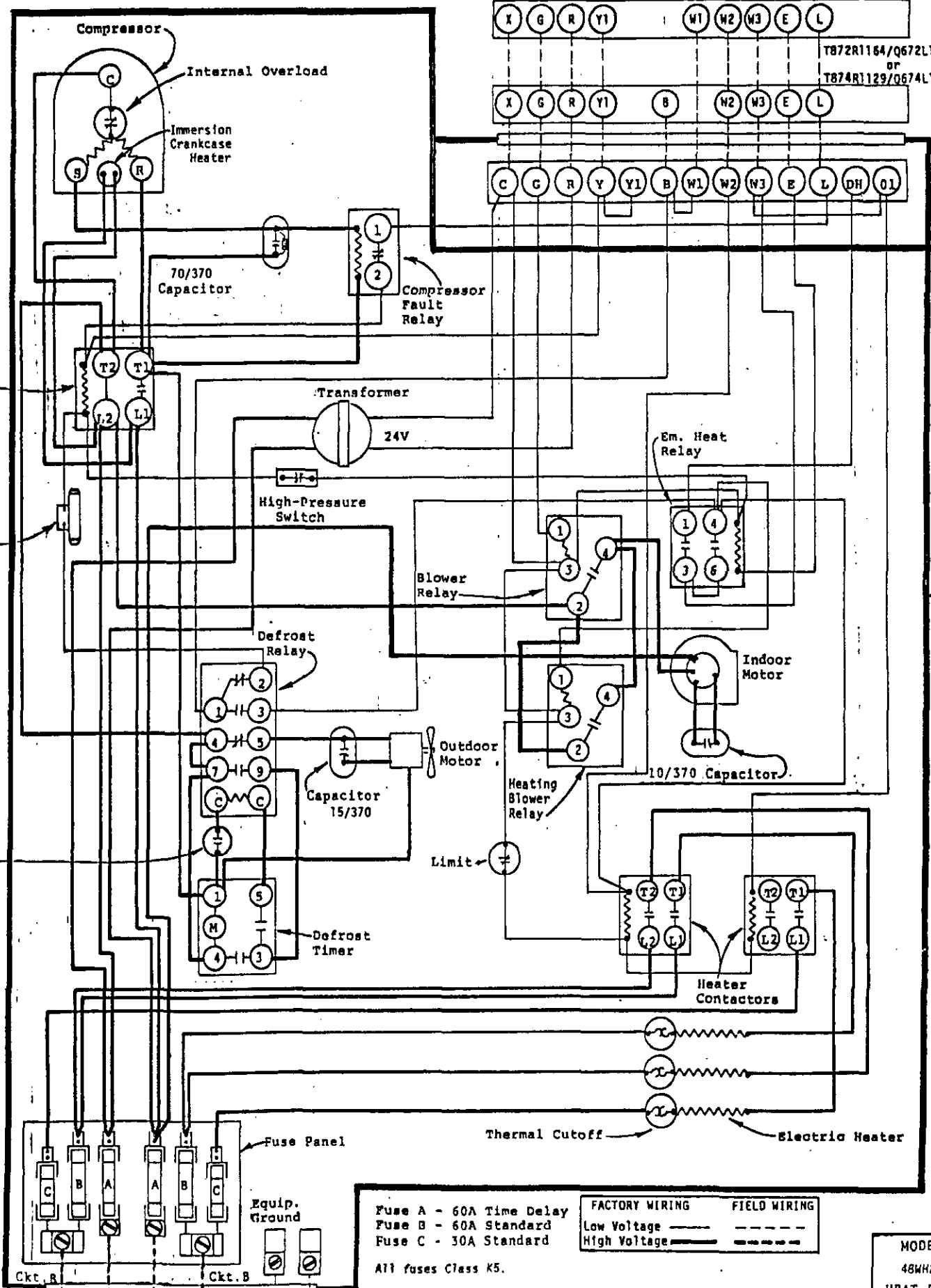
230/208-60-1

⚠ If there is an X1 and X2 terminal on Q674L1181 | jumper them together and connect from G to either one.

T872N1036/Q672F1299  
or  
T874N1024/Q674F1261

T872R1164/Q672L1185  
or  
T874R1129/Q674L1181' ⚠

24V  
Terminal  
Block



USE COPPER OR ALUMINUM WIRE

230/208-60-1

Fuse A - 60A Time Delay  
Fuse B - 60A Standard  
Fuse C - 30A Standard  
All fuses Class K5.

FACTORY WIRING	FIELD WIRING
Low Voltage	-----
High Voltage	-----

MODEL  
48WH2  
H/BAT PUMP  
15 Kw

4014-140F

⚠ If there is an X1 and X2 terminal on Q674L1181 jumper them together and connect from C to either one.

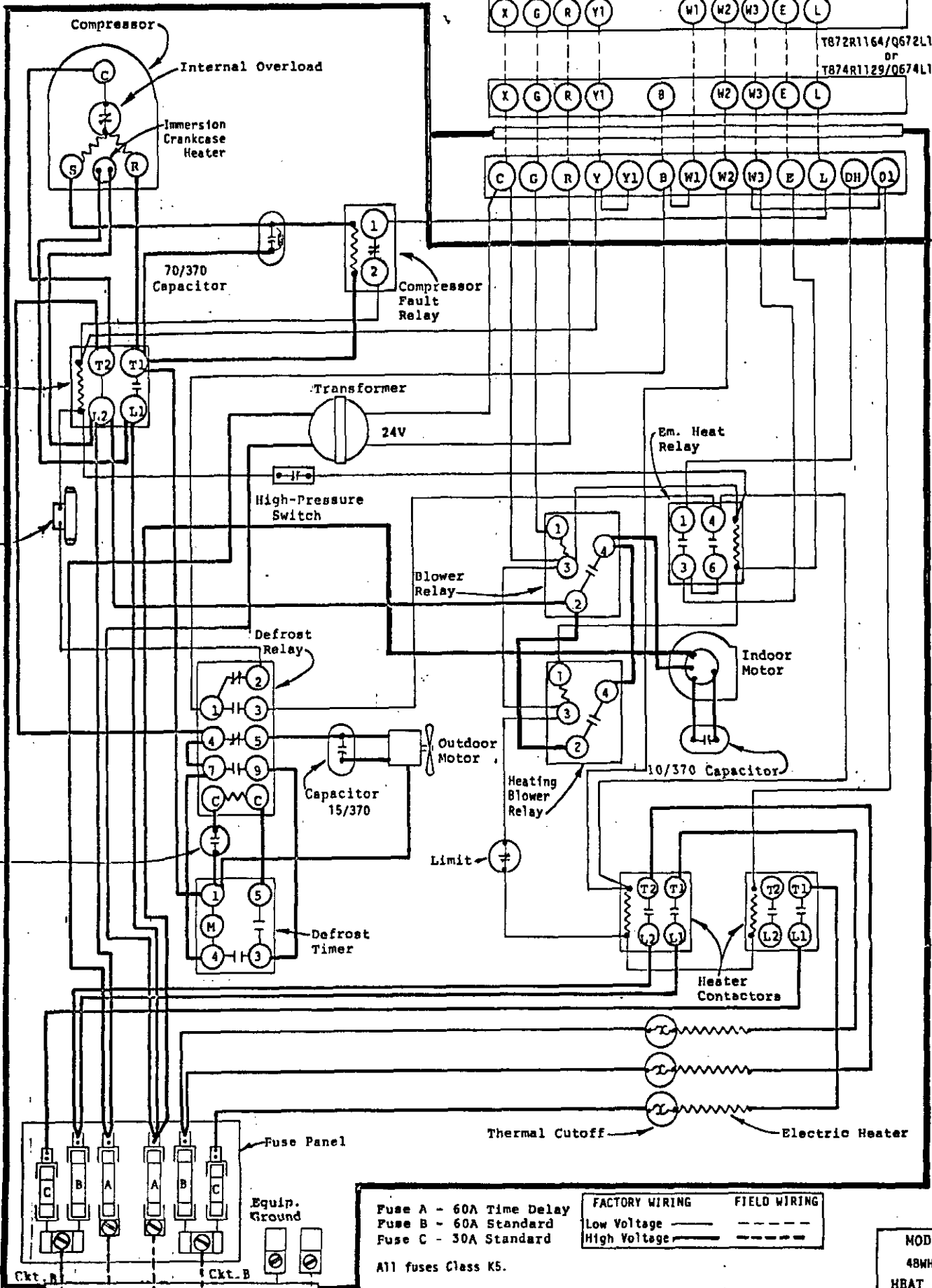
T872N1036/Q672F1299

or  
T874R1024/Q674F1261

T872R1164/Q672L1185

or  
T874R1129/Q674L1181

24V  
Terminal  
Block



Compressor Contactor

Reversing Valve Solenoid (24V)

Defrost Thermostat

Fuse Panel

USE COPPER OR ALUMINUM WIRE

230/208-60-1

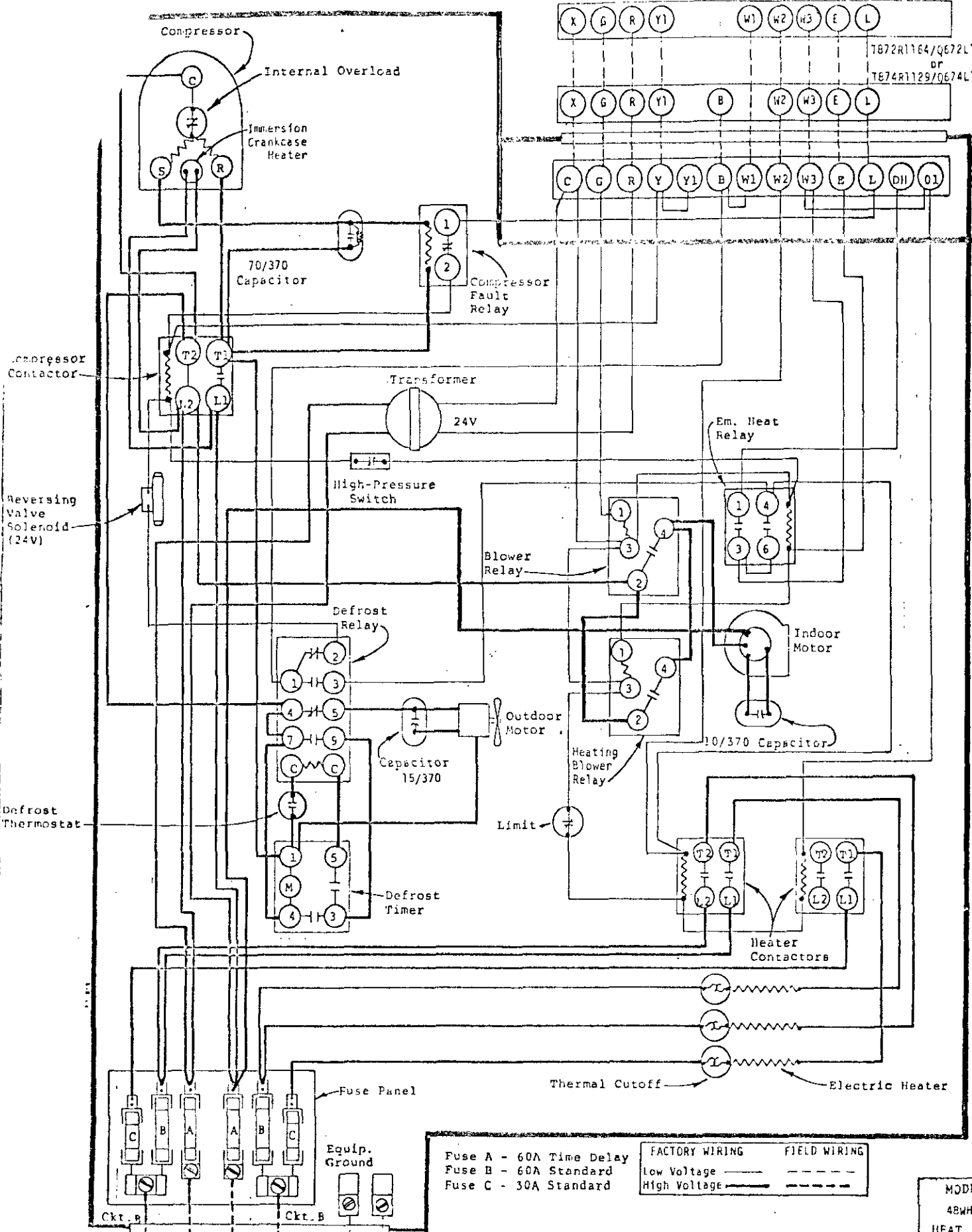
Fuse A - 60A Time Delay  
 Fuse B - 60A Standard  
 Fuse C - 30A Standard  
 All fuses Class K5.

	FACTORY WIRING	FIELD WIRING
Low Voltage	—————	- - - - -
High Voltage	—————	- - - - -

MODEL  
48WH2  
HEAT PUMP  
15 Kw

4014-140 E

24V  
Terminal  
Block



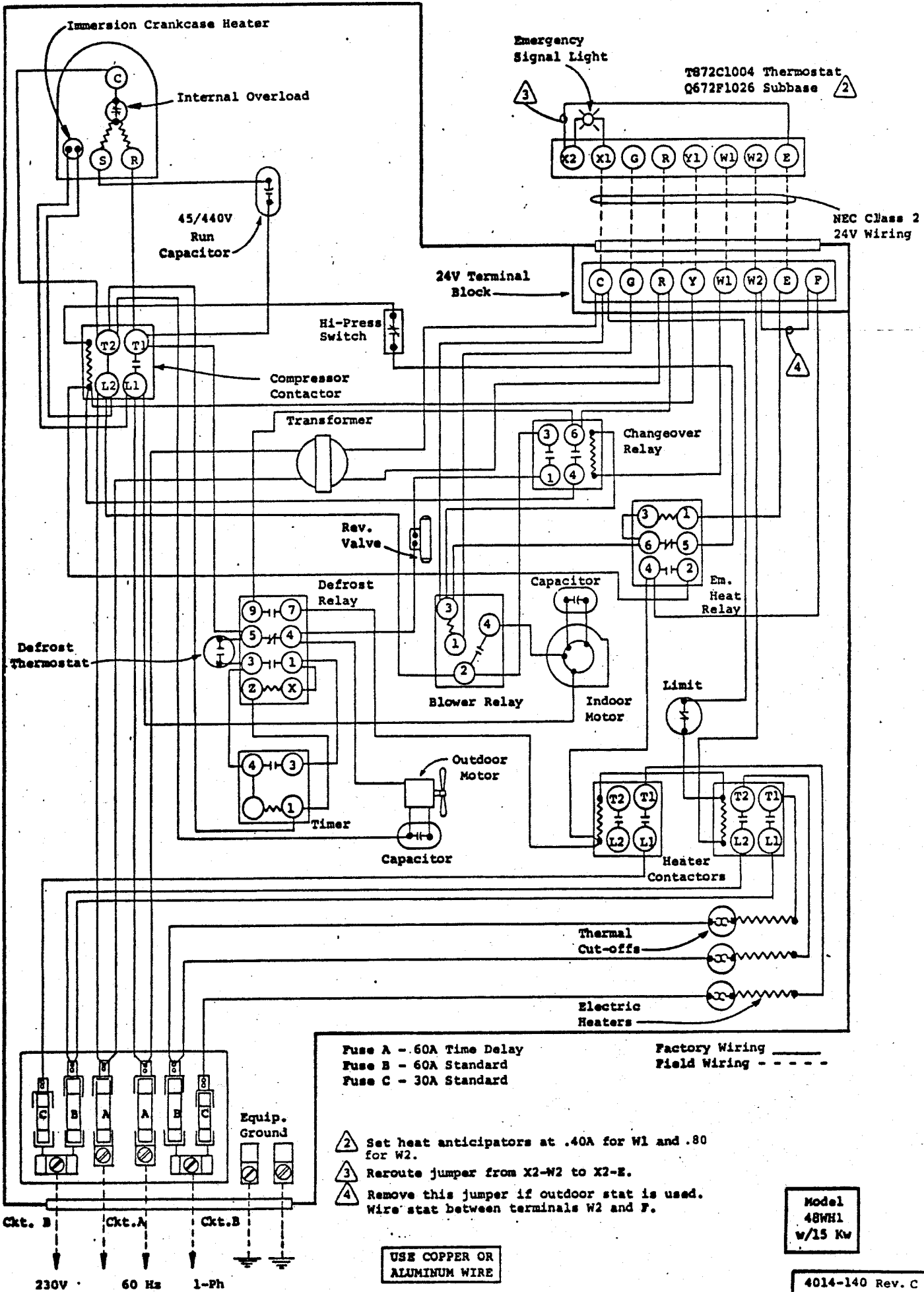
USE COPPER OR ALUMINUM WIRE

230/208-60-1

Fuse A - 60A Time Delay	FACTORY WIRING	FIELD WIRING
Fuse B - 60A Standard	Low Voltage	-----
Fuse C - 30A Standard	High Voltage	-----

MODEL  
48WH2  
HEAT PUMP  
15 Kw





Fuse A - .60A Time Delay  
 Fuse B - 60A Standard  
 Fuse C - 30A Standard

Factory Wiring ———  
 Field Wiring - - - - -

- 2 Set heat anticipators at .40A for W1 and .80 for W2.
- 3 Reroute jumper from X2-W2 to X2-E.
- 4 Remove this jumper if outdoor stat is used. Wire stat between terminals W2 and F.

USE COPPER OR ALUMINUM WIRE

Model 48WH1 w/15 Kw