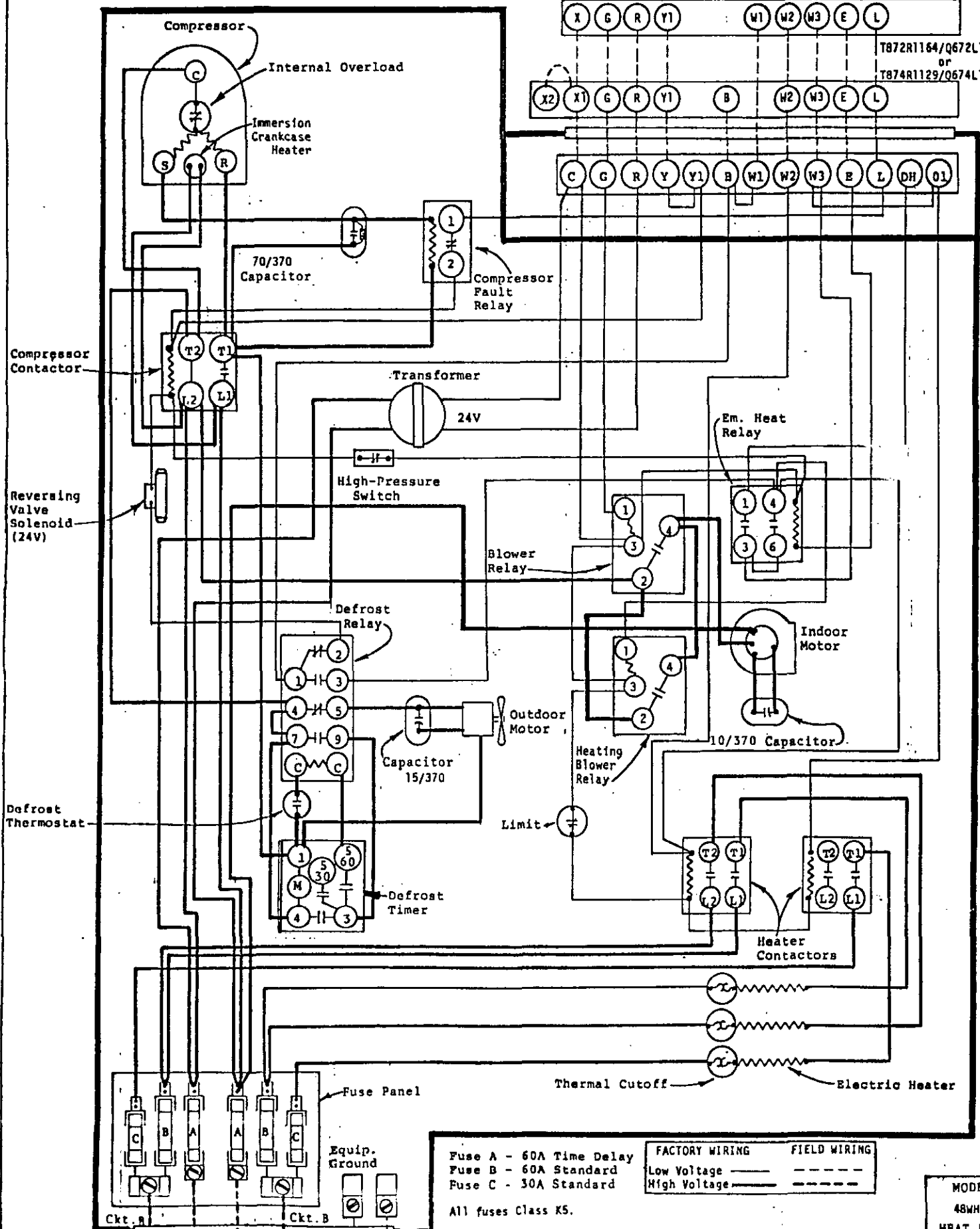


⚠ If there is an X1 and X2 terminal on Q674L1181, jumper them together and connect from C to either one.

T872N1036/Q672F1299
or
T874N1024/Q674F1261

T872R1164/Q672L1185
or
T874R1129/Q674L1181

24V
Terminal
Block



USE COPPER OR ALUMINUM WIRE

230/208-60-1

Fuse A - 60A Time Delay	FACTORY WIRING	FIELD WIRING
Fuse B - 60A Standard	Low Voltage	-----
Fuse C - 30A Standard	High Voltage	-----

All fuses Class K5.

MODEL:
48WH2
HEAT PUMP
15 Kw