

⚠ If there is an X1 and X2 terminal on Q674L1181, Jumper them together and connect from C to either one.

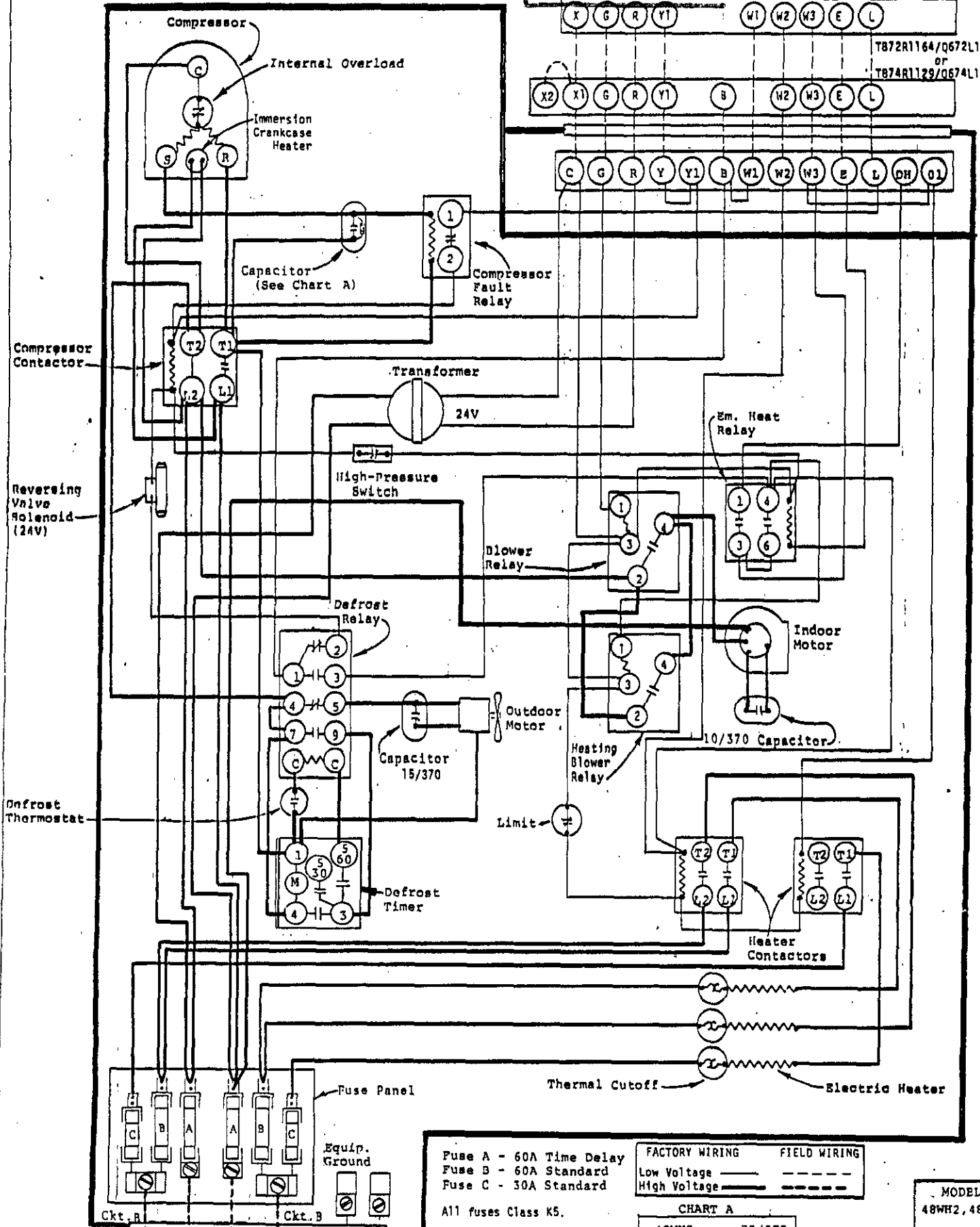
**REVISED DIAGRAM
REPLACES**

DATE _____

T872N1036/Q672F1299
OR
T874N1024/Q674F1261

T872R1164/Q672L1185
OR
T874R1129/Q674L1181

24V
Terminal
Block



USE COPPER OR ALUMINUM WIRE

230/208-60-1

Fuse A - 60A Time Delay
Fuse B - 60A Standard
Fuse C - 30A Standard
All fuses Class K5.

FACTORY WIRING		FIELD WIRING	
Low Voltage	—————	-----	-----
High Voltage	—————	-----	-----

CHART A

48WH2	70/370
48WH4	40/440

MODEL:
48WH2, 48WH4
HEAT PUMP
15 Kw