

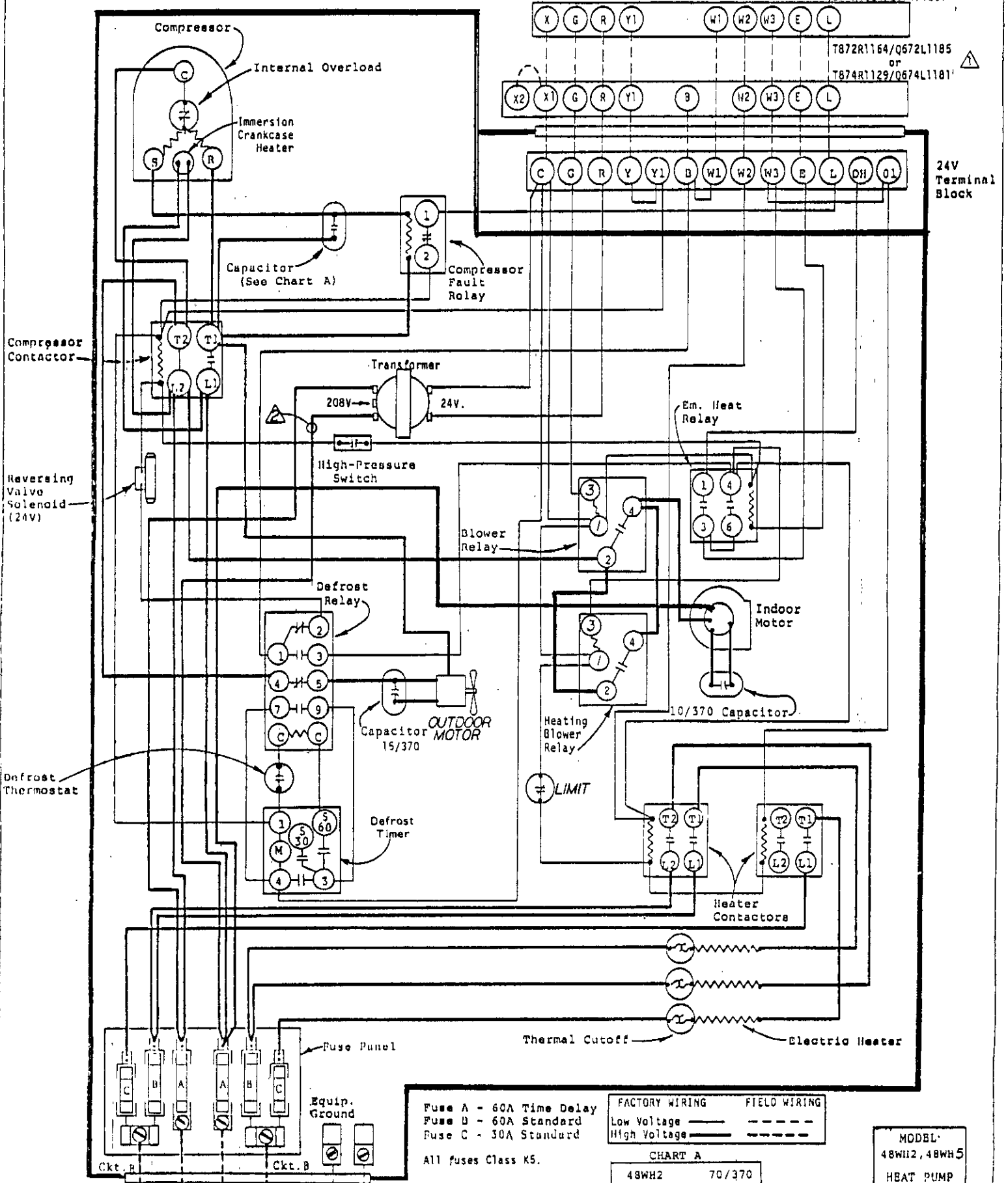
⚠ If there is an X1 and X2 terminal on Q674L1181, jumper them together and connect from C to either one.

⚠ For 208V operation move this wire to 208V transformer tap.

T872N1036/Q672F1299  
or  
T874N1024/Q674F1261

T872R1164/Q672L1185  
or  
T874R1129/Q674L1181

24V  
Terminal  
Block



Fuse A - 60A Time Delay  
Fuse B - 60A Standard  
Fuse C - 30A Standard

FACTORY WIRING    FIELD WIRING  
Low Voltage    -----  
High Voltage    - - - - -

All fuses Class K5.

CHART A

48WH2	70/370
48WH5	40/440

MODEL:  
48WH2, 48WH5  
HEAT PUMP  
15 KW

USE COPPER OR ALUMINUM WIRE

230/208-60-1

4014-140L