

⚠ If there is an X1 and X2 terminal on Q674L1181, jumper them together and connect from C to either one.

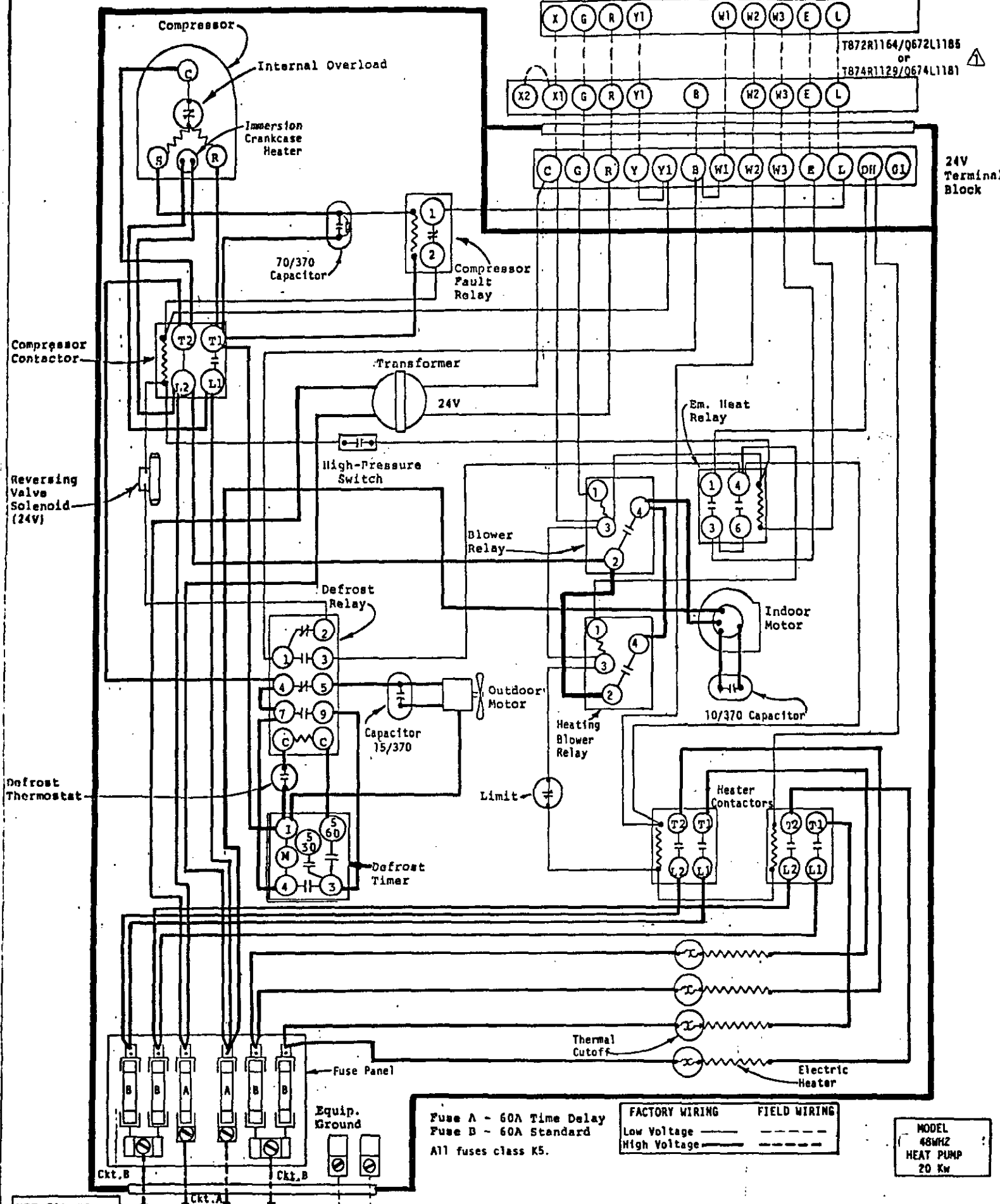
T872N1036/Q672F1299

or
T874N1024/Q674F1261

T872R1164/Q672L1185

or
T874R1129/Q674L1181

24V
Terminal
Block



Fuse A - 60A Time Delay
Fuse B - 60A Standard
All fuses class K5.

FACTORY WIRING	FIELD WIRING
Low Voltage	-----
High Voltage	-----

MODEL
48WH2
HEAT PUMP
20 Kw

USE COPPER OR ALUMINUM WIRE