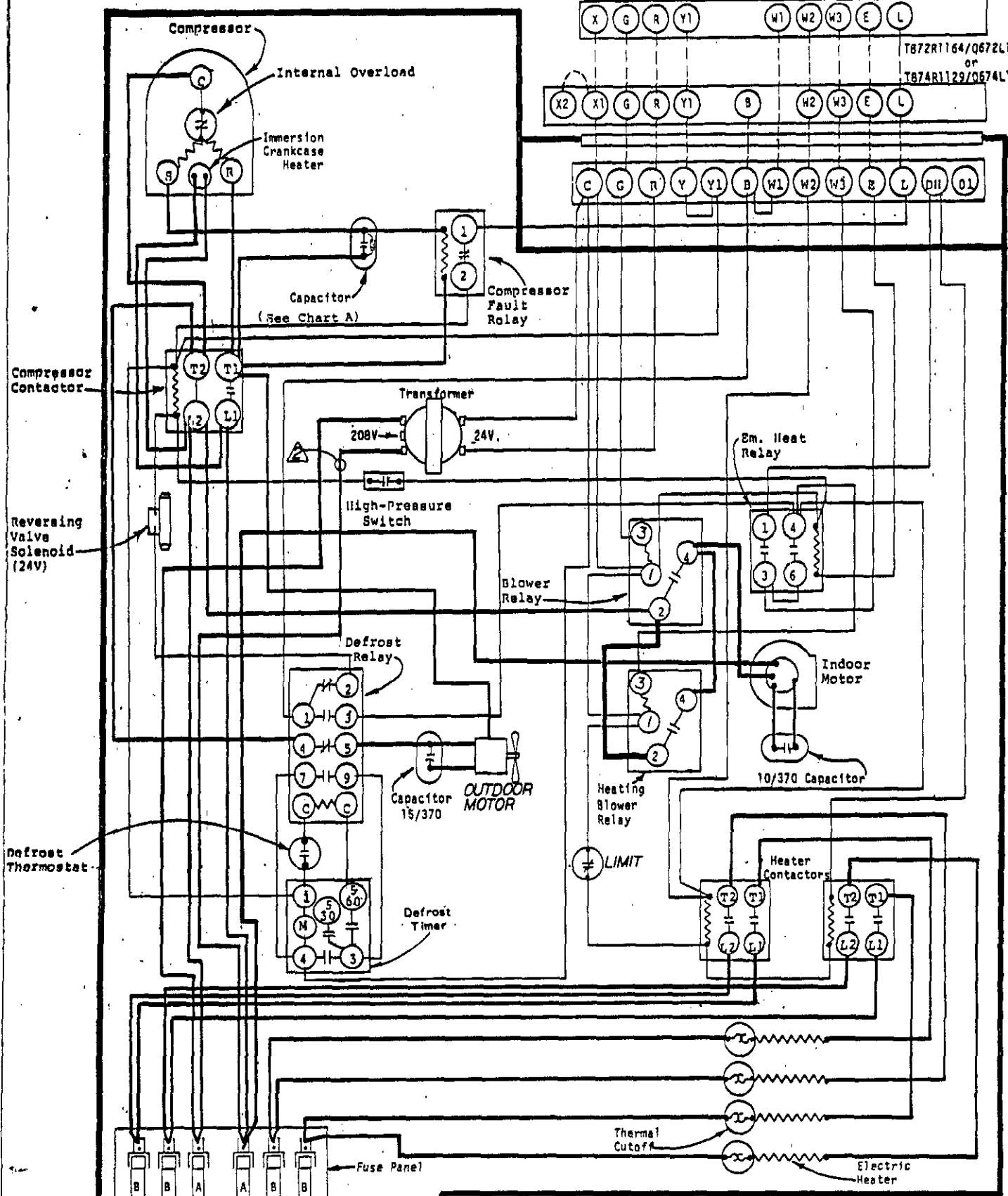


⚠ If there is an X1 and X2 terminal on Q674L1181, jumper them together and connect from C to either one.

T872N1036/Q672F1299  
or  
T874N1024/Q674F1261

T872R1164/Q672L1185  
or  
T874R1129/Q674L1181

24V  
Terminal  
Block



USE COPPER OR ALUMINUM WIRE

230/208-60-1

Fuse A - 60A Time Delay  
Fuse B - 60A Standard  
All fuses class K5.

FACTORY WIRING		FIELD WIRING	
Low Voltage	—————	-----	-----
High Voltage	—————	-----	-----

MODEL  
48WH2, 48WH5  
HEAT PUMP  
20 Kw

CHART A

48WH2	70/370
48WH5	40/440

⚠ For 208V operation move this wire to 208V transformer tap.

4014-150K