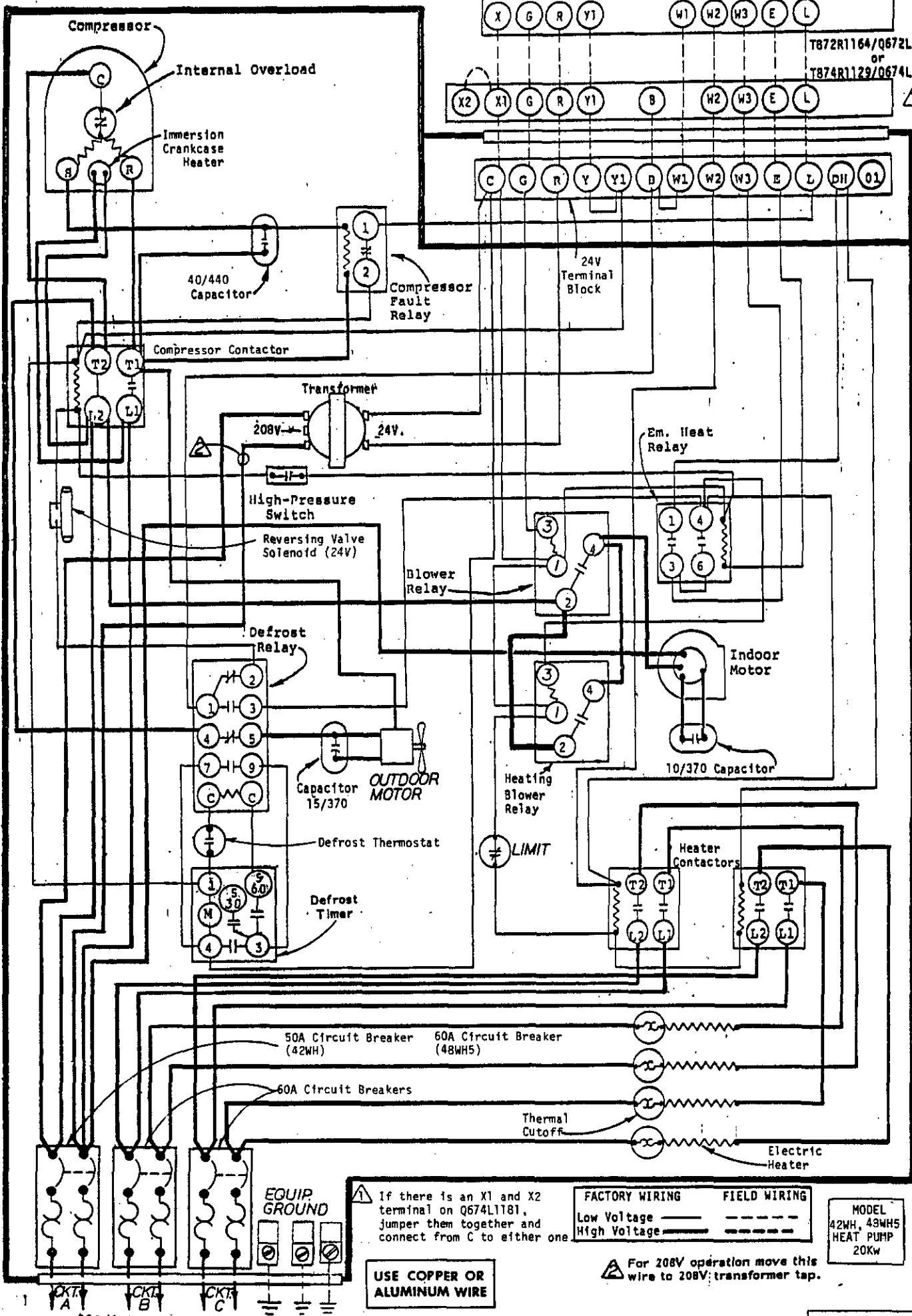


T872N1036/0672FT299 or T874N1024/0674F1261

T872R1164/0672L1185

or T874R1129/0674L1181



⚠ If there is an X1 and X2 terminal on Q674L1181, jumper them together and connect from C to either one

	FACTORY WIRING	FIELD WIRING
Low Voltage	—————	- - - - -
High Voltage	—————	- - - - -

MODEL
42WH, 43WH5
HEAT PUMP
20KW

⚠ For 208V operation move this wire to 208V transformer tap.

USE COPPER OR ALUMINUM WIRE