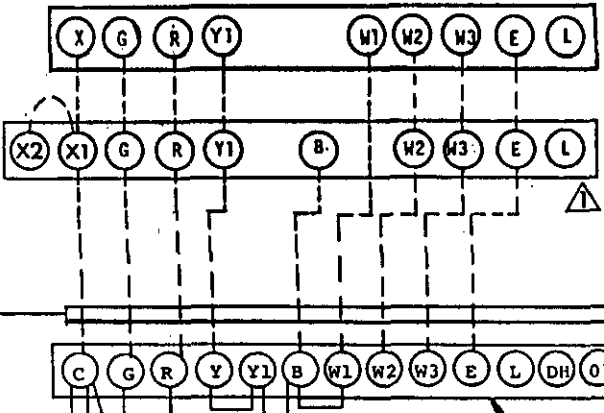
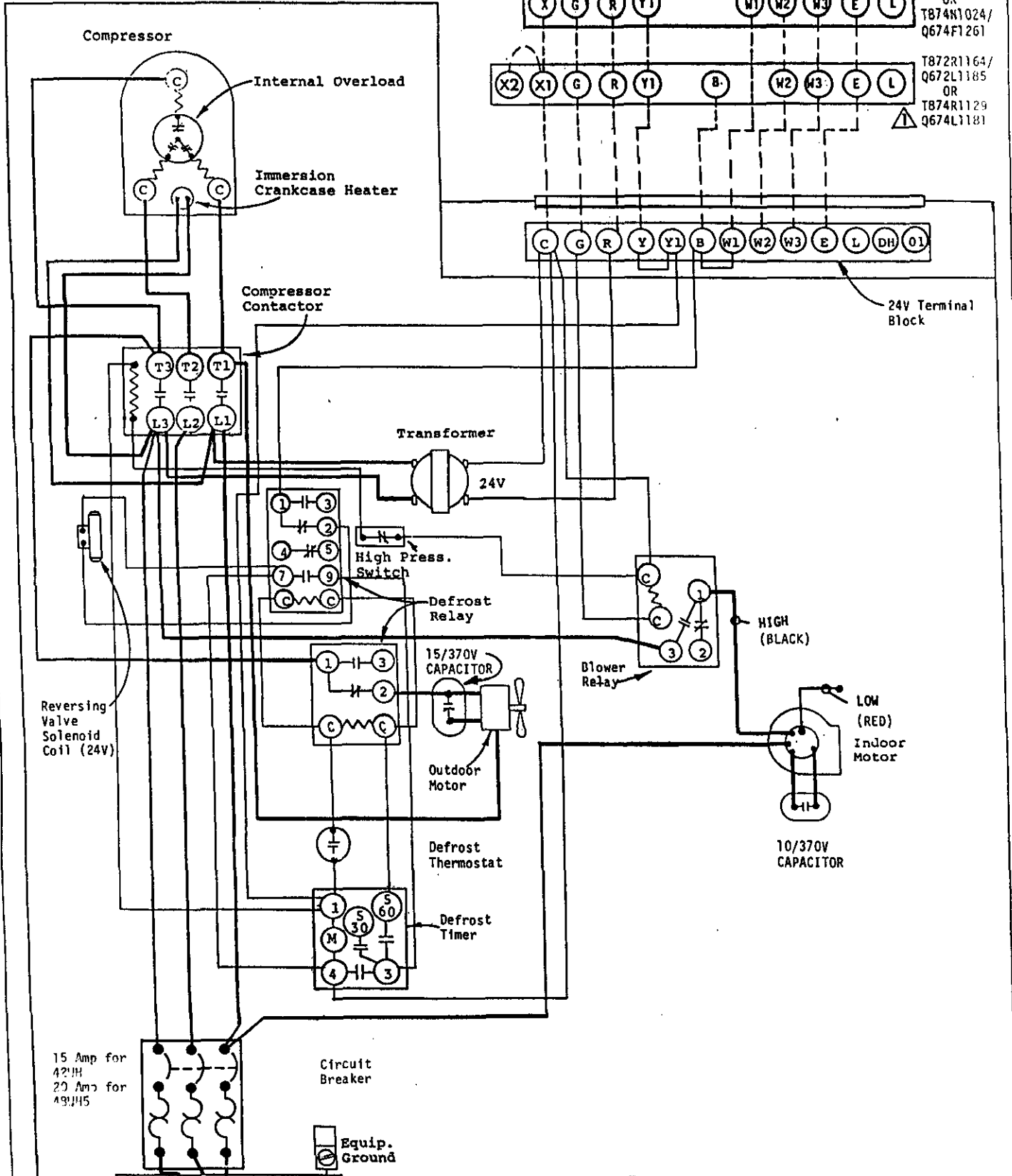


T872N1036/
Q672F1299
OR
T874N1024/
Q674F1261

T872R1164/
Q672L1185
OR
T874R1129
Q674L1181



24V Terminal Block

USE COPPER OR ALUMINUM WIRE

Fused Disconnect Switch

FACTORY WIRING	FIELD WIRING
Low Voltage ———	-----
High Voltage ———	-----

⚠ If there is an X1 and X2 terminal on Q674L1181, Jumper them together and connect from C to either one.

460-60-3

4014-311 A