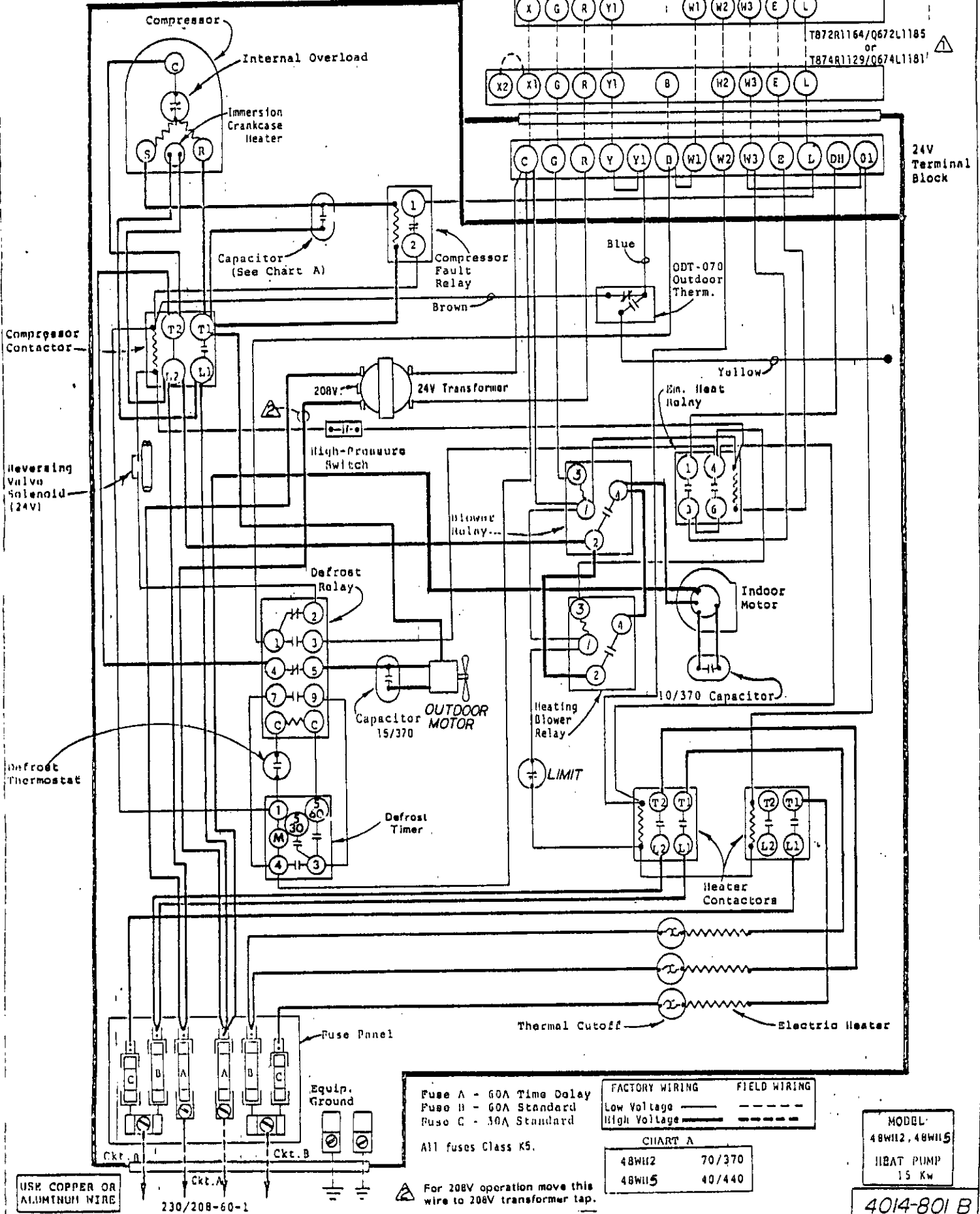


⚠ If there is an X1 and X2 terminal on Q674L1181 jumper them together and connect from C to either one.

T872N1036/Q672F1299
or
T874N1024/Q674F1261

T872R1164/Q672L1185
or
T874R1129/Q674L1181' ⚠



Fuse A - 60A Time Delay
Fuse B - 60A Standard
Fuse C - 30A Standard
All fuses Class K5.

	FACTORY WIRING	FIELD WIRING
Low Voltage	_____	-----
High Voltage	_____	-----

CHART A

48W12	70/370
48W15	40/440

MODEL:
48W12, 48W15
HEAT PUMP
15 Kw

4014-801 B

USE COPPER OR ALUMINUM WIRE

230/208-60-1

⚠ For 208V operation move this wire to 208V transformer tap.