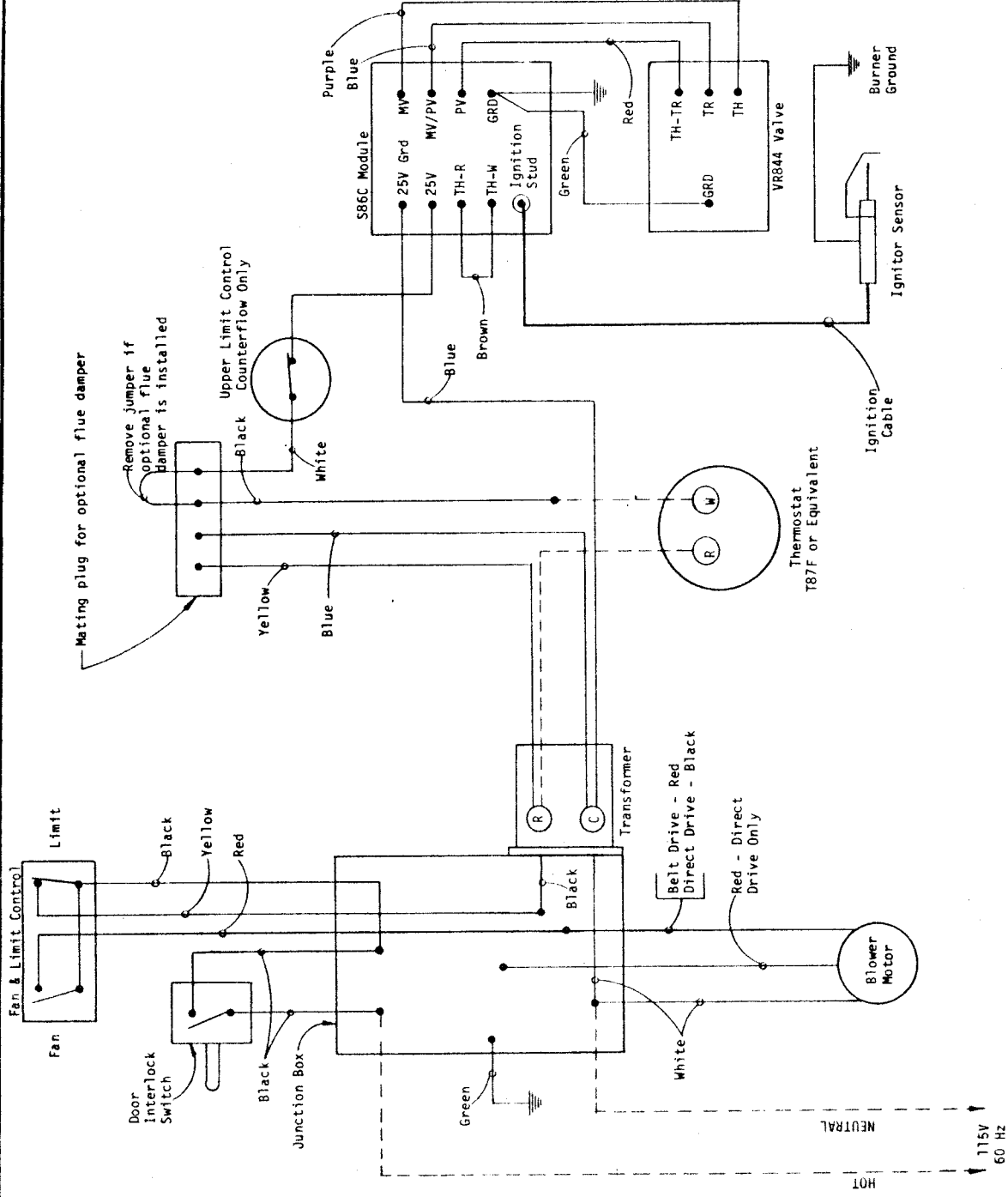


**DANGER: ELECTRICAL SHOCK HAZARD. DISCONNECT POWER BEFORE SERVICING.**

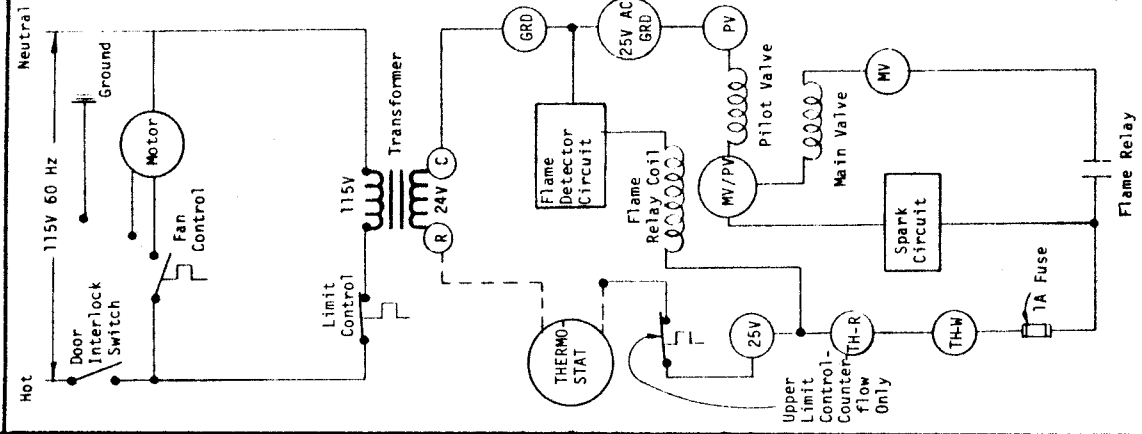
**CONNECTION DIAGRAM**



Factory Wiring  
Field Wiring

IF ANY OF THE ORIGINAL WIRE AS SUPPLIED WITH THE APPLIANCE MUST BE REPLACED, IT MUST BE REPLACED WITH WIRING MATERIAL HAVING A TEMPERATURE RATING OF AT LEAST 105°C.

**LADDER DIAGRAM**



1 & 2 SPEED MODELS, ELECTRIC IGNITION  
WIRING DIAGRAM 4046-102