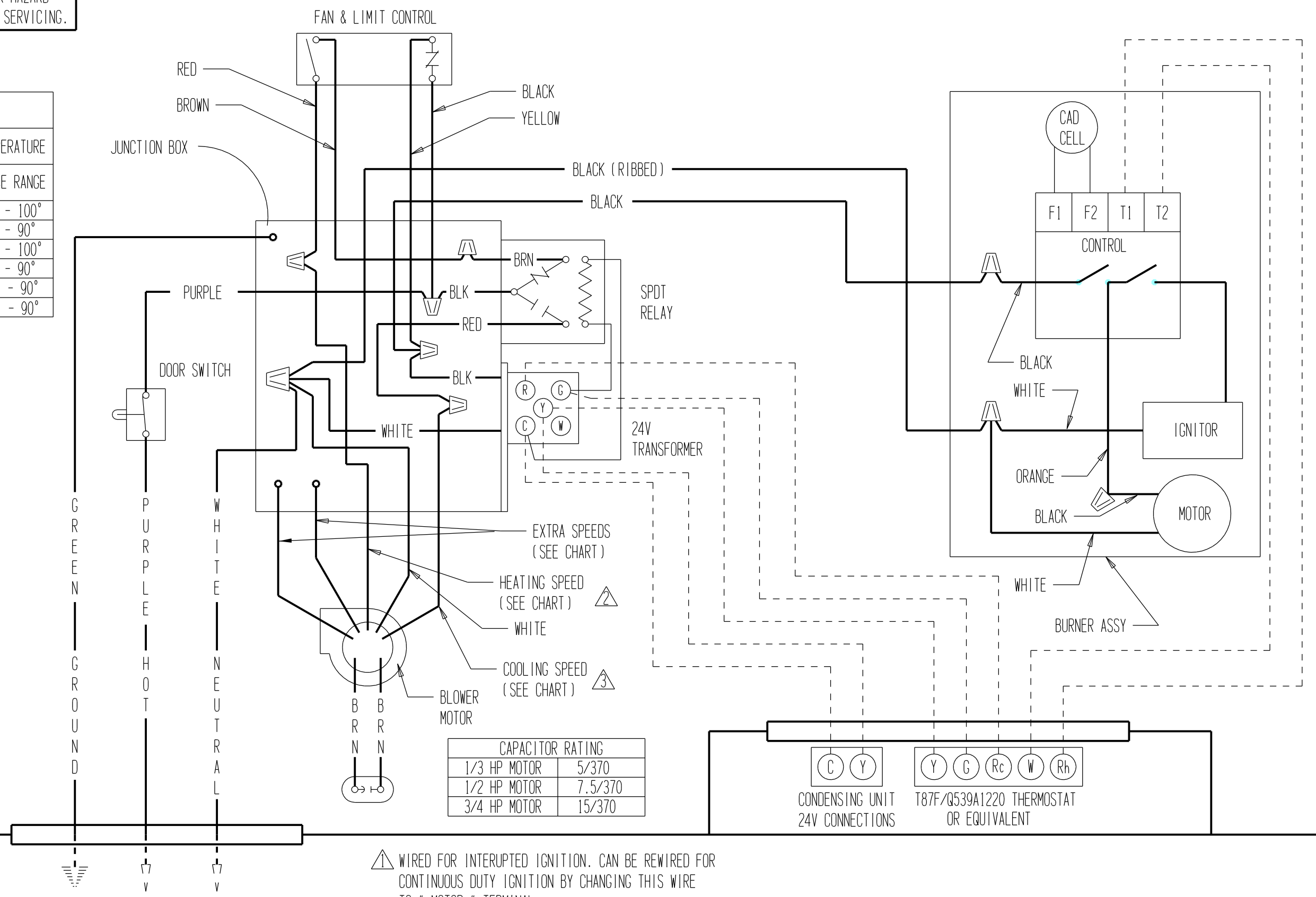


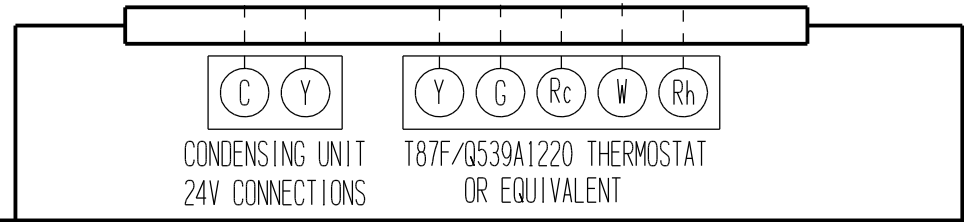
CONNECTION DIAGRAM DANGER: ELECTRICAL SHOCK HAZARD
DISCONNECT POWER BEFORE SERVICING.

TECHNICAL INFORMATION			
MODEL	INPUT RATE	HEATING BLOWER	TEMPERATURE
	GPH	SPEED (COLOR)	RISE RANGE
FH085D36B	.65	LOW (RED)	70° - 100°
	.75	MED (BLUE)	60° - 90°
FH110D48B	.85	LOW (ORANGE)	70° - 100°
	1.00	MED-LOW (RED)	60° - 90°
FH110D60B	.85	LOW (ORANGE)	60° - 90°
	1.00	MED-LOW (RED)	60° - 90°

MOTOR COLOR CODE		
COLOR	4 SPEED	3 SPEED
WHITE	COMMON CAP	COMMON CAP
BROWN	HIGH	HIGH
BLACK	MED HI	MED
BLUE	MED LOW	LOW
RED	LOW	—
ORANGE	—	—



CAPACITOR RATING	
1/3 HP MOTOR	5/370
1/2 HP MOTOR	7.5/370
3/4 HP MOTOR	15/370



- ⚠️ WIRED FOR INTERRUPTED IGNITION. CAN BE REWIRED FOR CONTINUOUS DUTY IGNITION BY CHANGING THIS WIRE TO " MOTOR " TERMINAL
- ⚠️ FACTORY WIRED USING RED WIRE FOR FH110, AND BLUE WIRE FOR FH085
- ⚠️ FACTORY WIRED USING BLACK WIRE

	FACTORY WIRING	FIELD WIRING
Low Voltage	—	- - -
High Voltage	—	- - -

IF ANY OF THE ORIGINAL WIRE AS SUPPLIED WITH THE APPLIANCE MUST BE REPLACED, IT MUST BE REPLACED WITH WIRING MATERIAL HAVING A TEMPERATURE RATING OF AT LEAST 105 DEG C.

115-60-1