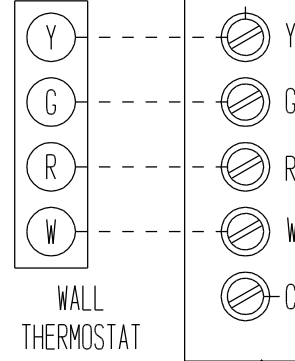
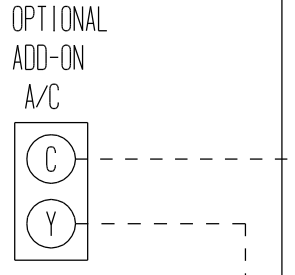
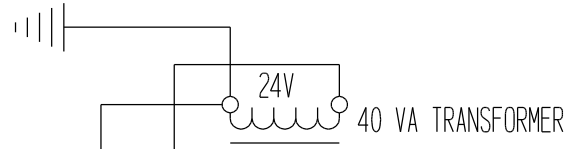
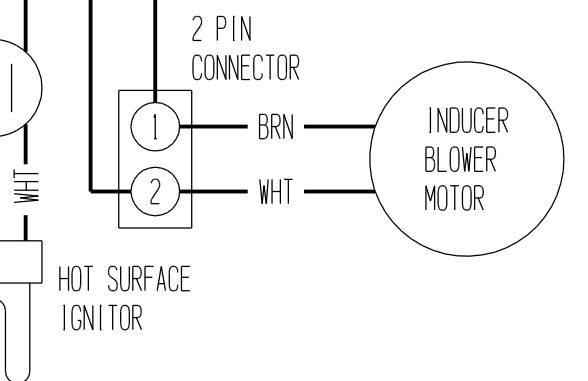
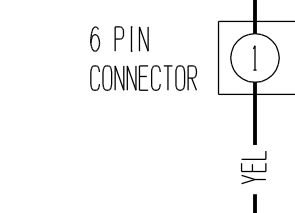
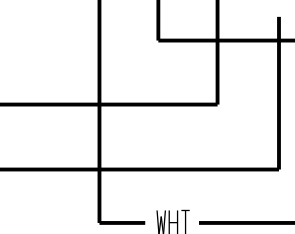
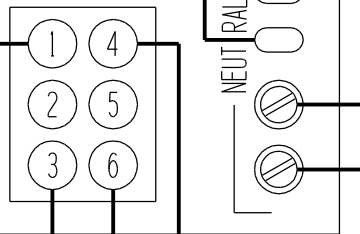
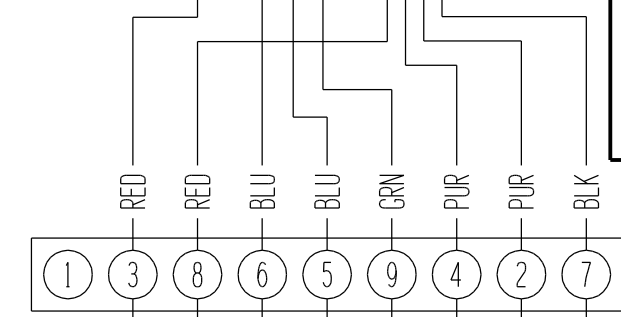
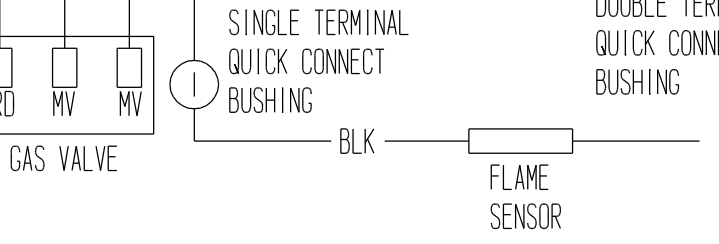
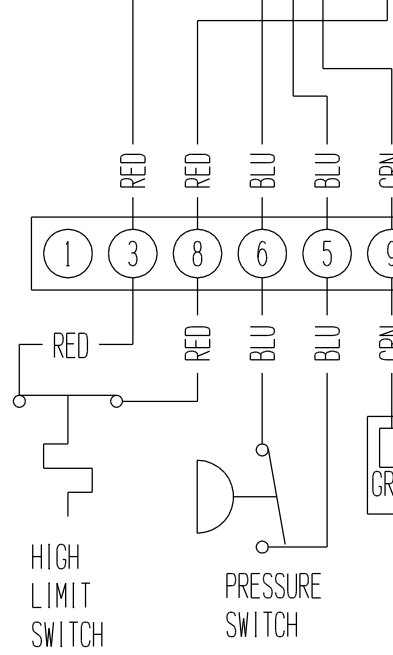
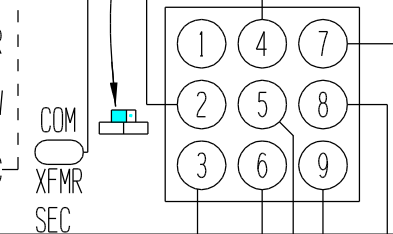
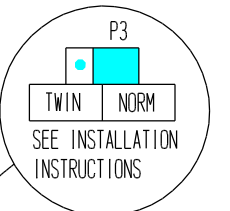
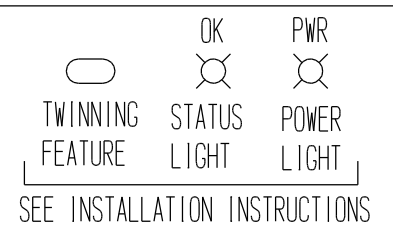


WIRING CODE		
115 VAC	FACTORY	—————
115 VAC	FIELD	- - - - -
24 VAC	FACTORY	—————
24 VAC	FIELD	- - - - -

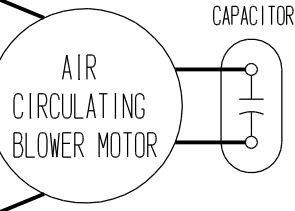


COLOR CODE	
BLK	BLACK
BLU	BLUE
BRN	BROWN
GRN	GREEN
ORG	ORANGE
PUR	PURPLE
RED	RED
YEL	YELLOW
WHT	WHITE

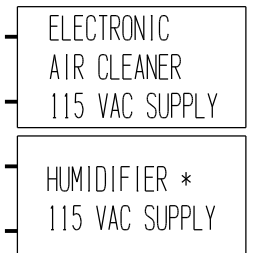


MODELS DCH036, DCH050, AND DCH065 WIRED WITH BLUE (MEDIUM) SPEED FOR HEATING

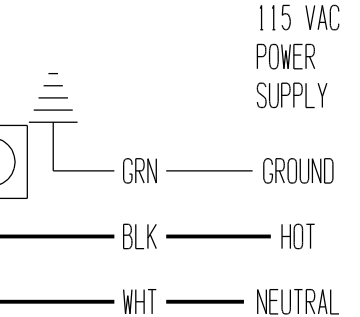
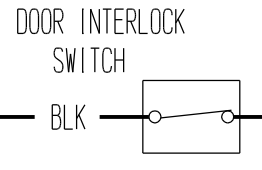
DANGER
* ELECTRIC SHOCK HAZARD
* DISCONNECT POWER BEFORE SERVICING



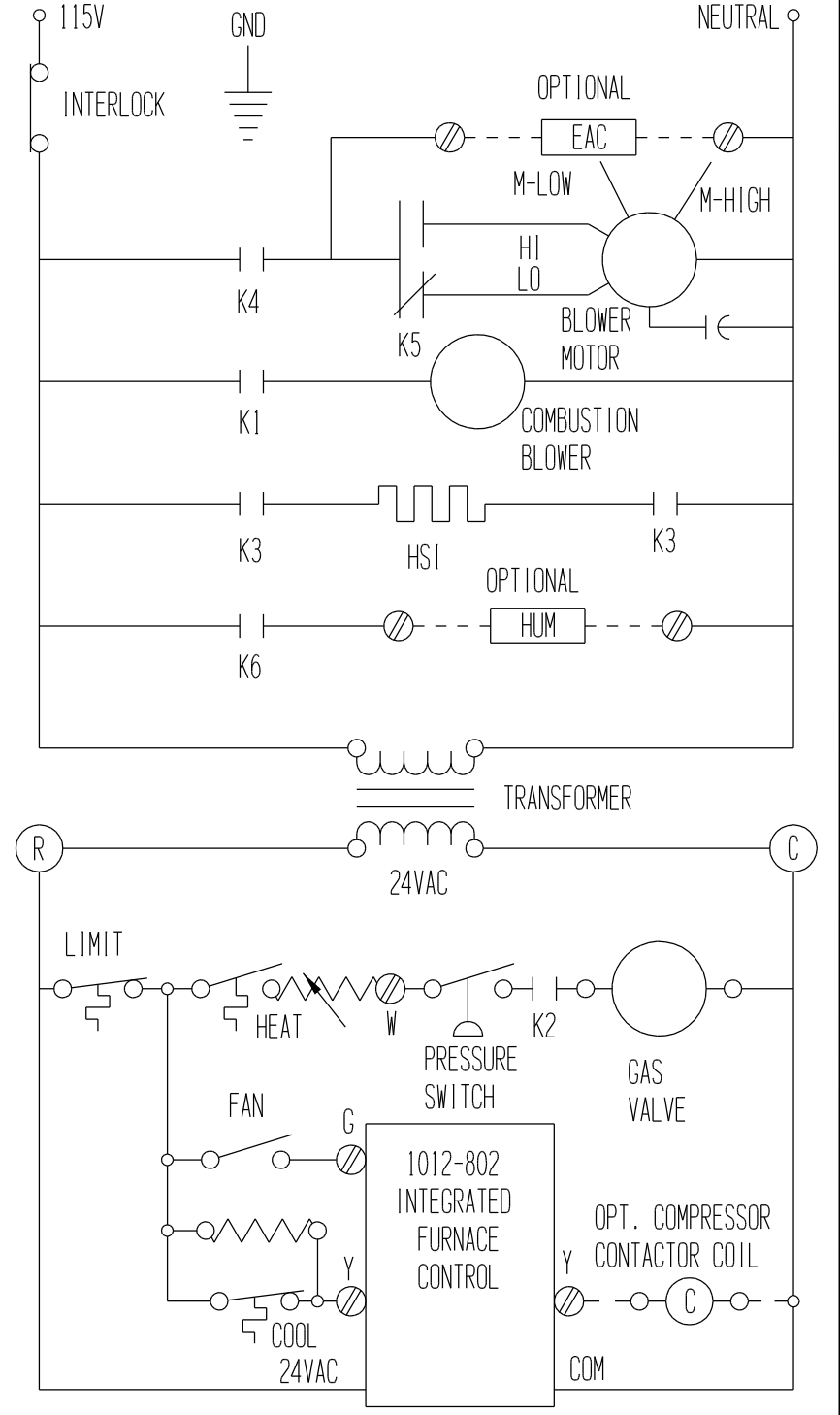
CAPACITOR CHART	
DCH036	5/370
DCH050	5/370
DCH065	5/370
DCH080	7.5/370
DCH095	15/370
DCH110	15/370



* ATOMIZING TYPE REQUIRES SAILSWITCH - SEE INSTRUCTIONS



LADDER DIAGRAM



NOTES:
1. USE COPPER CONDUCTORS ONLY.
2. IF ANY OF THE ORIGINAL WIRE AS SUPPLIED WITH THE APPLIANCE MUST BE REPLACED, IT MUST BE REPLACED WITH WIRING MATERIAL HAVING A TEMPERATURE RATING OF AT LEAST 105°C.

MOTOR SPEED COLOR CODE		
COLOR	4 SPEED	3 SPEED
WHITE	COMMON	COMMON
RED	LOW	LOW
ORANGE	MED-LOW	—
BLUE	MED-HIGH	—
BLACK	HIGH	HIGH