

HEATING DELAY PROFILE TAPS

MODEL	SWITCH #1	SWITCH #2	ON DELAY SECONDS	ON DELAY % CFM	PRE-RUN TIME SECONDS	PRE-RUN % CFM	OFF DELAY SECONDS	OFF DELAY % CFM
ALL	OFF	OFF	30	0	60	50	300	82
	ON	OFF	30	0	60	50	240	100
	OFF	ON	45	0	120	44	300	88
	ON	ON	60	0	0	100	180	100

BACKUP LIMIT

PRIMARY LIMIT

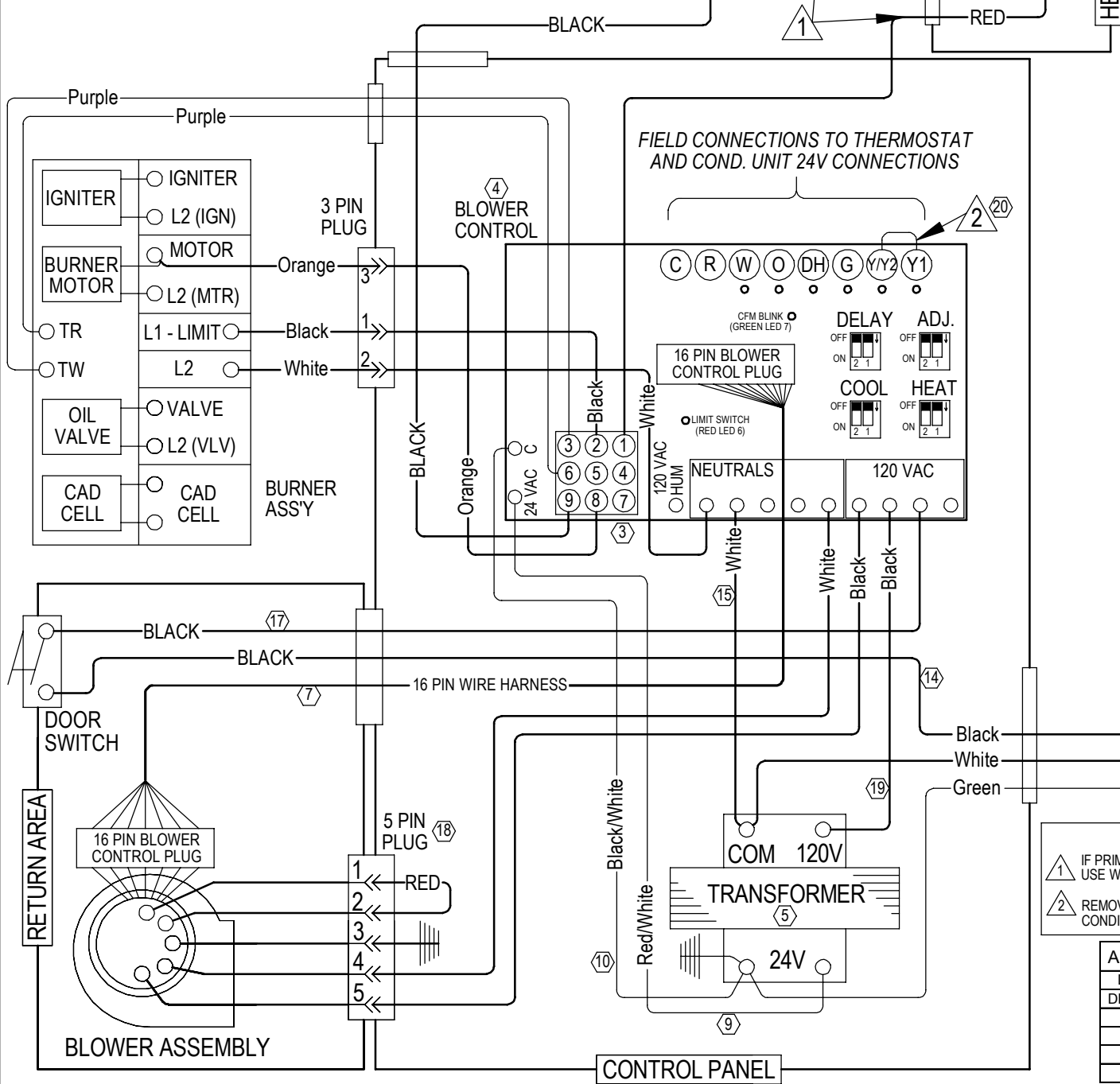
HEAT SWITCH SETTINGS

MODEL	HEAT SWITCH		ADJUSTMENT SWITCH		HEATING CFM
	DIP SW 1	DIP SW 2	DIP SW 1	DIP SW 2	
FLF075V42A	ON	OFF	OFF	OFF	950
FLR075V42A	OFF	OFF	OFF	OFF	950
FLR100V48A	ON	OFF	OFF	ON	1250
FLR100V60A	ON	OFF	OFF	ON	1250
FLR130V60A	ON	OFF	OFF	ON	1600

COOL SWITCH SETTINGS

UNIT	NOM. A/C (TONS)	COOL SWITCH		CFM LOAD	
		DIP SW 1	DIP SW 2	FULL	PART
FLF/FLR075V42A	3.5*	OFF*	OFF*	1400	1000
	3.0	ON	OFF	1200	850
	2.5	OFF	ON	1000	725
FLR100V48A	2.0	ON	ON	800	575
	3.5	ON	OFF	1400	1000
	3.0	OFF	ON	1200	850
FLR100V60A FLR130V60A	2.5	ON	ON	1000	725
	4.0*	OFF*	OFF*	1600	1150
	3.5	ON	ON	1400	1000
FLR130V60A	4.0	ON	OFF	1600	1150
	3.0	ON	ON	1200	850

* FACTORY SETTINGS



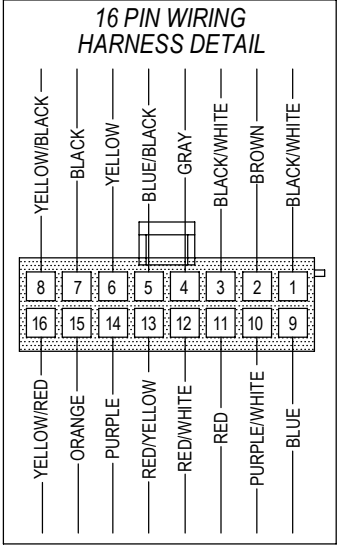
FIELD CONNECTIONS TO THERMOSTAT AND COND. UNIT 24V CONNECTIONS

⚠ DANGER
*ELECTRICAL SHOCK HAZARD
*DISCONNECT POWER BEFORE SERVICING.

NOTES

1 IF PRIMARY LIMIT WIRES ARE TO BE REPLACED, USE WIRE WITH INSUL. TEMP. RATING OF 200°C.

2 REMOVE PURPLE JUMPER WIRE FOR 2 STAGE AIR CONDITIONER OR HEAT PUMP.



ADJUSTMENT SWITCH SETTINGS

DELAY SWITCH		ADJUSTMENT DETAILS
DIP SW 1	DIP SW 2	
OFF*	OFF*	NO CHANGES*
ON	OFF	+10% CFM
OFF	ON	-10% CFM
ON	ON	NO CHANGES

4047-127 A