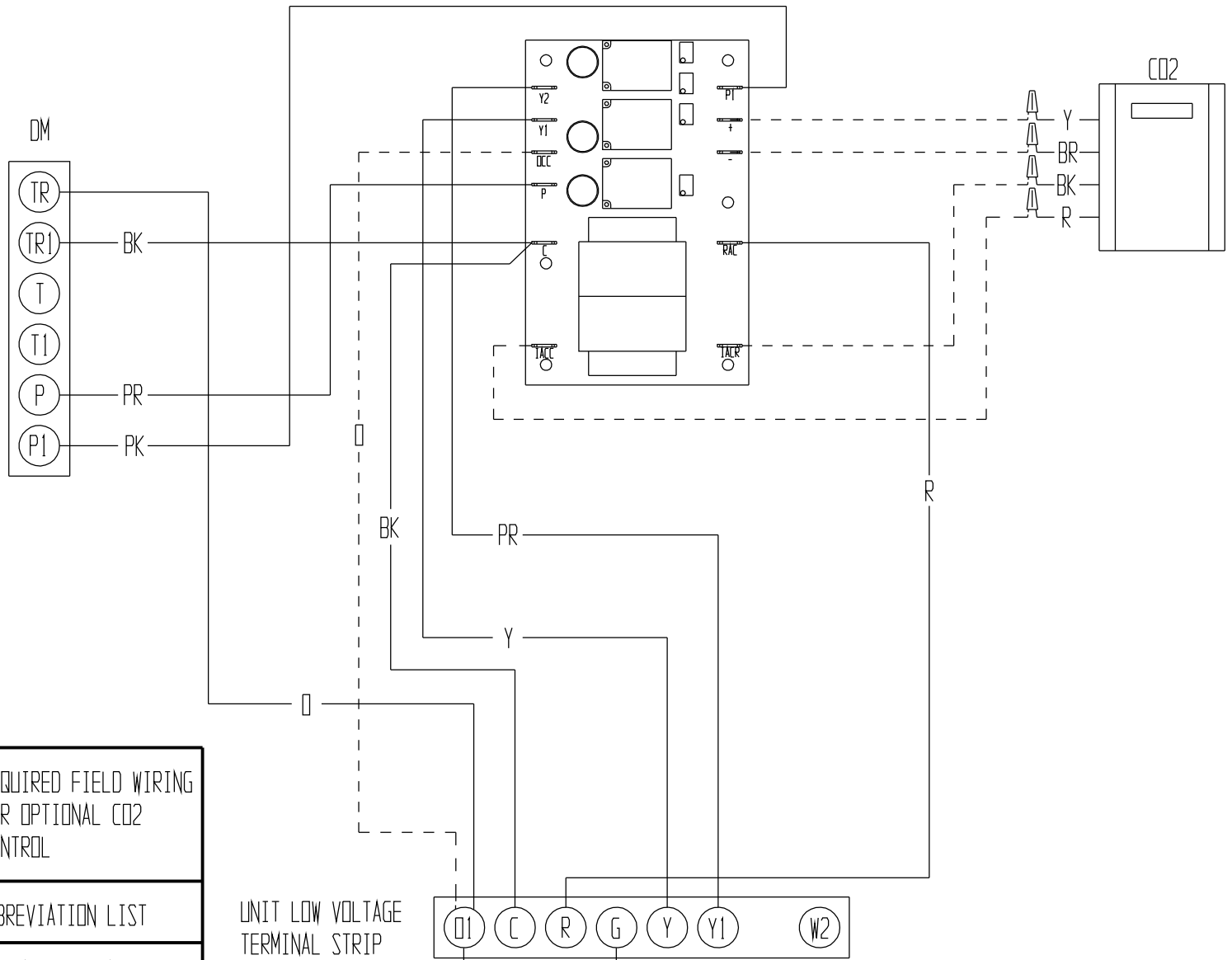


TO SET CRV AIRFLOW FOR BLOWER ONLY, JUMPER R,G,01. ADJUST POT #1.
 TO SET CRV AIRFLOW FOR 1ST STAGE COOLING, JUMPER R,G,Y1,01. ADJUST POT #2.
 TO SET CRV AIRFLOW FOR 2ND STAGE COOLING, JUMPER R,G,Y1,Y2,01. ADJUST POT #3.
 REMOVE JUMPER AFTER COMPLETION OF ADJUSTMENT



⚠ REMOVE JUMPER WHEN UNIT IS USED WITH OCCUPIED SIGNAL FROM THERMOSTAT.

COLOR CODE
 WIRE COLOR ABBREVIATION

BLACK	BK
BROWN	BR
RED	R
ORANGE	□
YELLOW	Y
GREEN	G
BLUE	BL
VIOLET(PURPLE)	V(PR)
GRAY(SLATE)	GY(S)
WHITE	W
TAN	T
PINK	PK
LAVENDER	L

--- REQUIRED FIELD WIRING FOR OPTIONAL CO2 CONTROL

PART ABBREVIATION LIST

CCB	CRV CONTROL BOARD
CO2	CARBON DIOXIDE SENSOR
COO	CHANGE OVER RELAY
DM	DAMPER MOTOR

UNIT LOW VOLTAGE TERMINAL STRIP

⚠ AIR CONDITIONER CONNECTION DIAGRAM