

DOES NOT APPLY IF CO2 CONTROL IS USED

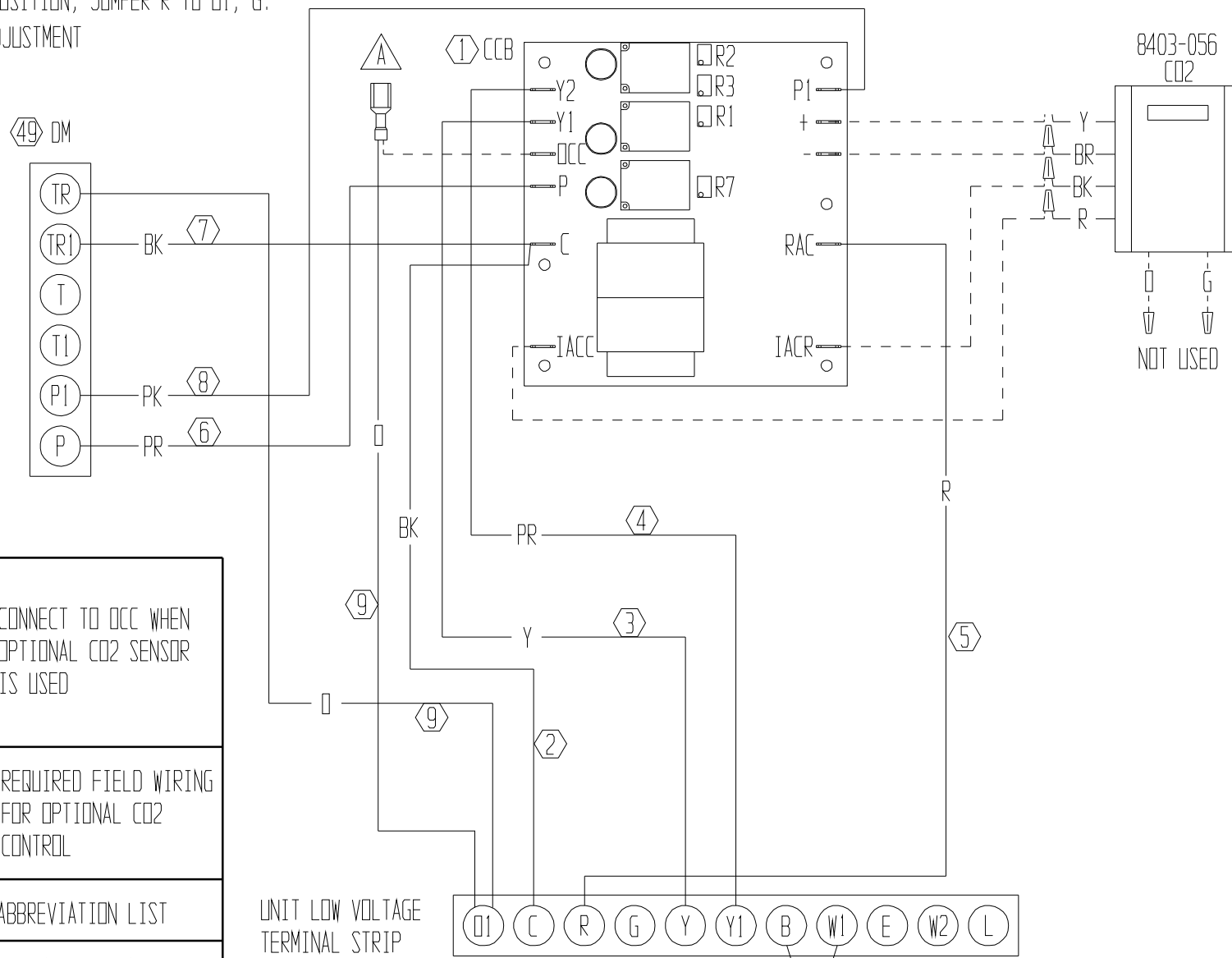
TO SET CRV AIRFLOW FOR BLOWER ONLY, JUMPER R,G,O1. ADJUST POT #1.


TO SET CRV AIRFLOW FOR 1ST STAGE COOLING, JUMPER R,G,Y,O1. ADJUST POT #2.

TO SET CRV AIRFLOW FOR 2ND STAGE COOLING, JUMPER R,G,Y,Y1,O1. ADJUST POT #3.

TO SET CRV AIRFLOW FOR CO2 MINIMUM POSITION, JUMPER R TO O1, G.

REMOVE JUMPER AFTER COMPLETION OF ADJUSTMENT



WIRE COLOR	COLOR CODE ABBREVIATION	
BLACK	BK	 CONNECT TO OCC WHEN OPTIONAL CO2 SENSOR IS USED
BROWN	BR	
RED	R	----- REQUIRED FIELD WIRING FOR OPTIONAL CO2 CONTROL
ORANGE	O	
YELLOW	Y	PART ABBREVIATION LIST
GREEN	G	
BLUE	BL	CCB CRV CONTROL BOARD
VIOLET(PURPLE)	V(PR)	CO2 CARBON DIOXIDE SENSOR
GRAY(SLATE)	GY(S)	DM DAMPER MOTOR
WHITE	W	
TAN	T	
PINK	PK	
LAVENDER	L	

HEAT PUMP CONNECTION DIAGRAM