

DOES NOT APPLY IF CO2 CONTROL IS USED

TO SET CRV AIRFLOW FOR BLOWER ONLY, JUMPER R,G,O1. ADJUST POT #R1.

TO SET CRV AIRFLOW FOR 1ST STAGE COOLING, JUMPER R,G,Y,O1. ADJUST POT #R2.

TO SET CRV AIRFLOW FOR 2ND STAGE COOLING, JUMPER R,G,Y,Y1,O1. ADJUST POT #R3.

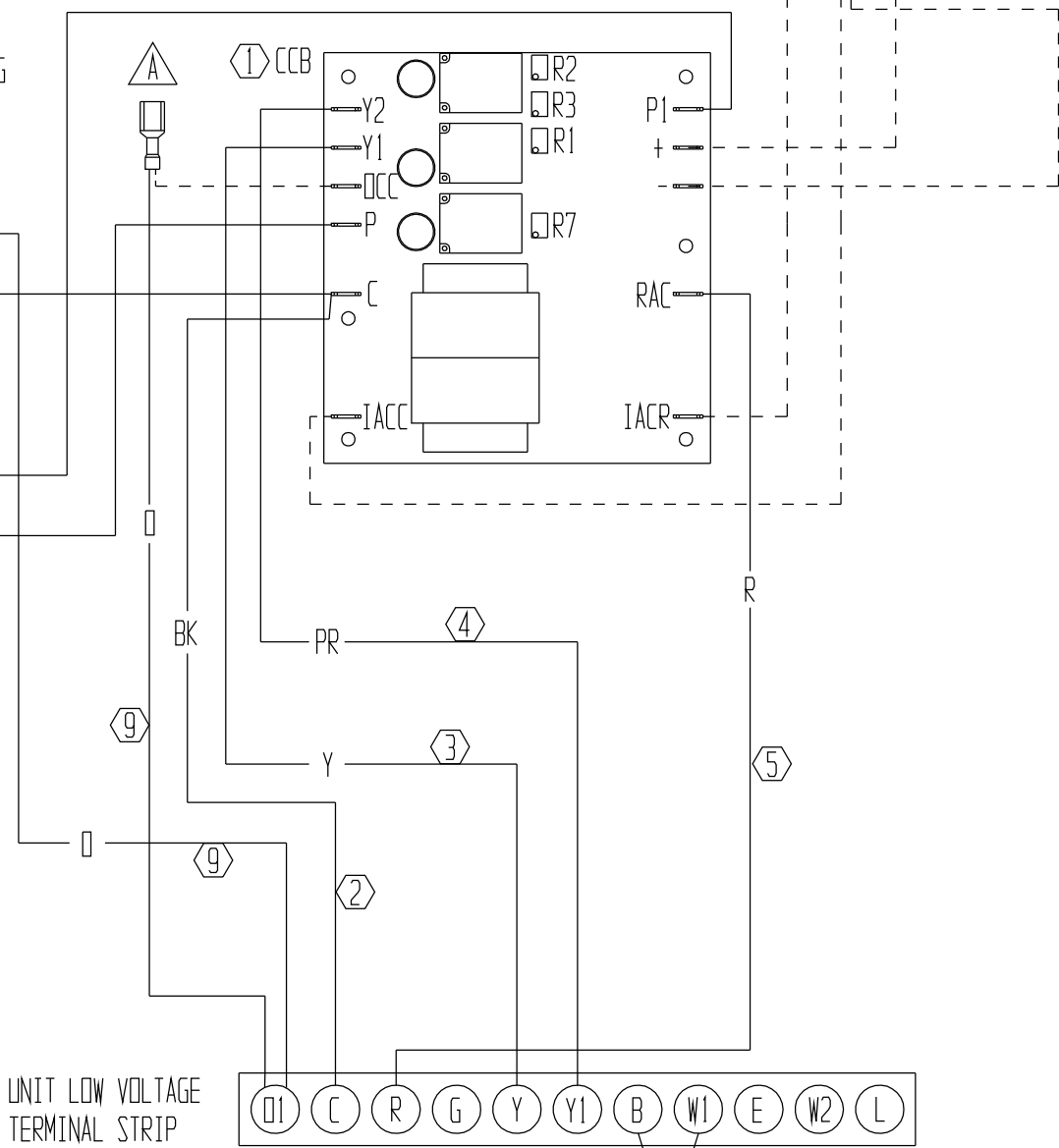
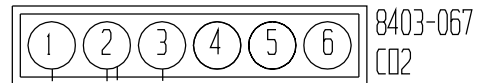
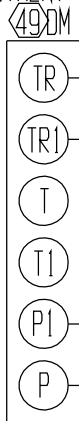
APPLIES IF CO2 CONTROL IS USED

CONNECT  TERMINAL TO OCCUPIED TERMINAL ON BOARD


TO SET CRV AIRFLOW FOR CO2 MINIMUM POSITION, JUMPER R TO O1, G

ADJUST #R7.

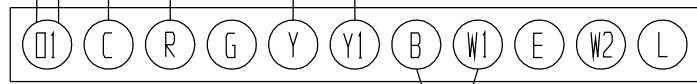
REMOVE JUMPER AFTER COMPLETION OF ADJUSTMENT



WIRE COLOR	COLOR CODE ABBREVIATION
BLACK	BK
BROWN	BR
RED	R
ORANGE	O
YELLOW	Y
GREEN	G
BLUE	BL
VIOLET(PURPLE)	V(PR)
GRAY(SLATE)	GY(S)
WHITE	W
TAN	T
PINK	PK
LAVENDER	L

	CONNECT TO OCC WHEN OPTIONAL CO2 SENSOR IS USED
---	REQUIRED FIELD WIRING FOR OPTIONAL CO2 CONTROL
PART ABBREVIATION LIST	
CCB	CRV CONTROL BOARD
CO2	CARBON DIOXIDE SENSOR
DM	DAMPER MOTOR

UNIT LOW VOLTAGE TERMINAL STRIP



HEAT PUMP CONNECTION DIAGRAM