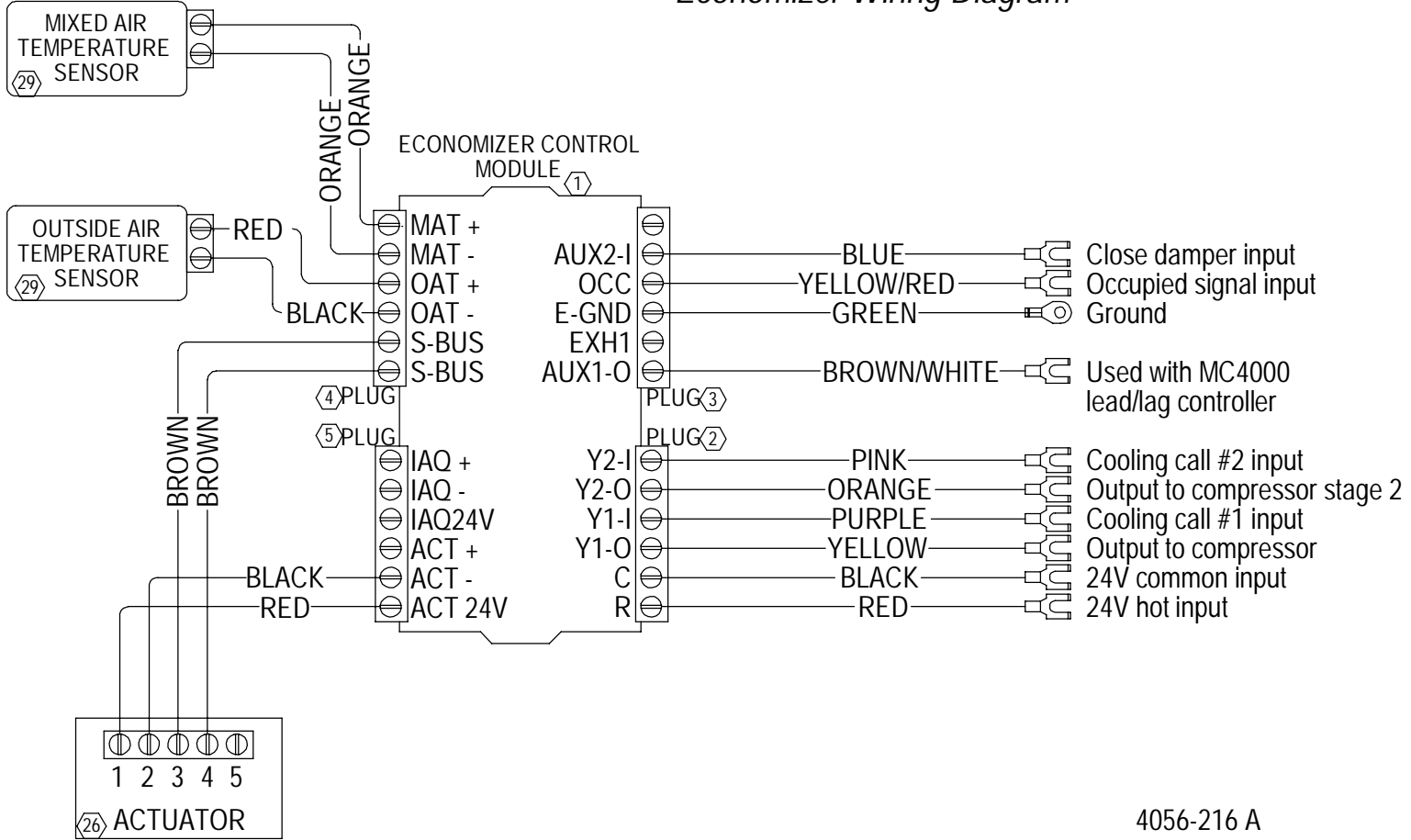


# Economizer Wiring Diagram



4056-216 A