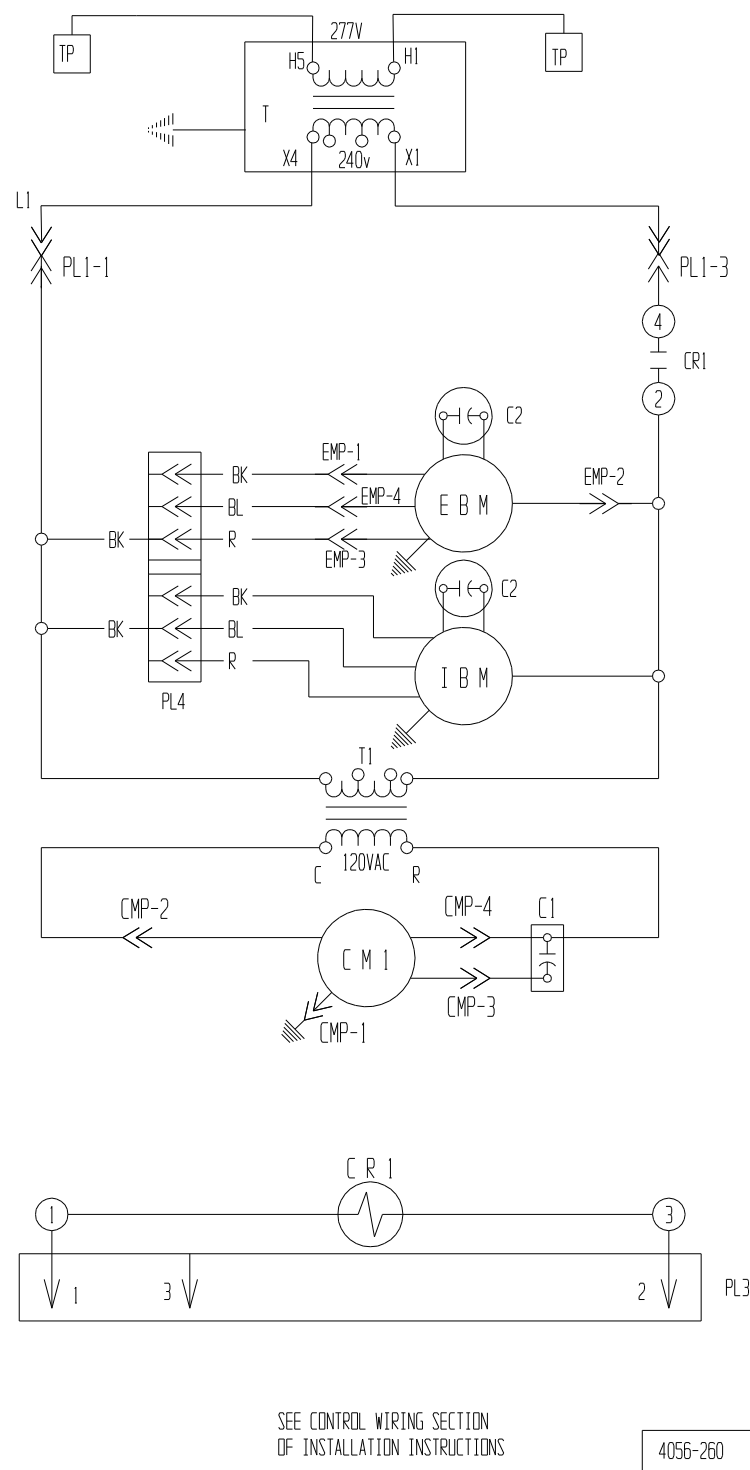


COMPONENT CODE	DESCRIPTION
C1	CAPACITOR #1 3MFD
C2	CAPACITOR #2 4MFD
CM1	CASSETTE MOTOR #1
CMP	CASSETTE MOTOR PLUG
CR1	CONTROL RELAY
EBM	EXHAUST BLOWER MOTOR
EMP	EXHAUST MOTOR PLUG
IBM	INTAKE BLOWER MOTOR
T	TRANSFORMER
TB	TERMINAL BLOCK
PL1	CONNECTOR PLUG #1
PL3	CONNECTOR PLUG #3
PL4	CONNECTOR PLUG #4
HVTB	HIGH VOLTAGE TERMINAL BLOCK

DISCONNECT
ORANGE WIRE
FROM TB &
CONNECT RED
WIRE FOR 208V
OPERATION

BLACK - HIGH SPEED
RED - LOW SPEED
BLUE - MED SPEED

WIRE COLOR	ABBREVIATION
BLACK	BK
BROWN	BR
RED	R
ORANGE	O
YELLOW	Y
GREEN	G
BLUE	BL
VIOLET(PURPLE)	V(PR)
GRAY(SLATE)	GY(S)
WHITE	W
TAN	T
PINK	PK
LAVENDER	L



SEE CONTROL WIRING SECTION
OF INSTALLATION INSTRUCTIONS